

LISTA DE APLICACIONES - BUYERS GUIDE

180142

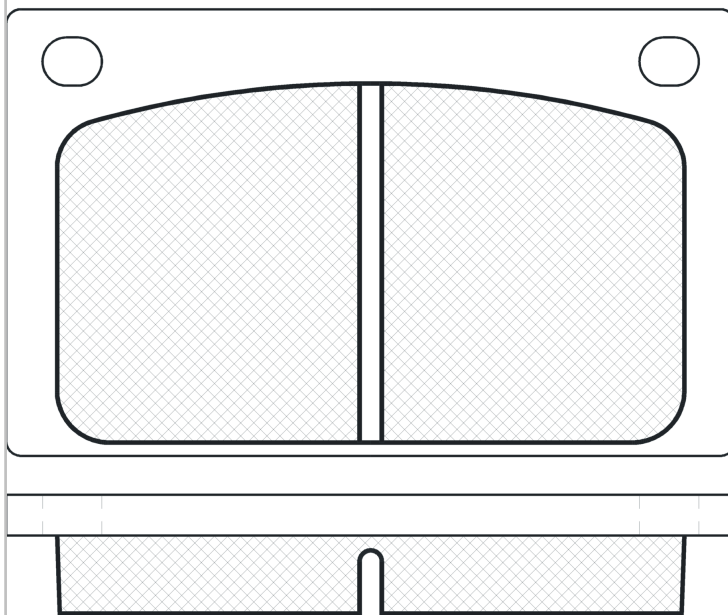


8 424073 006929

Qty: 300

Weight: 1.240

O.E.M.	MAKE
2 701 639	VOLVO
2 717 395	VOLVO
2 725 661	VOLVO
2 726 735	VOLVO
2 728 673	VOLVO
2 728 72	VOLVO
2 728 731	VOLVO
2 758 944	VOLVO



180142



Lucas - Girling

98.3x60.3x16

WVA	FMSI
20152	D43-764
20314	
MAKE	
MITSUBISHI	
VOLVO	



Trac.	CC	Kw	CV		
					Front / Rear

MITSUBISHI

LANCER CARGO IV (CS_W, CS_V) 01.03-06.08	Estate Van (Compact car-C Segment)						
2.0 (CS9W)	Gasolina	FWD	1997	99	135	09.03-06.08	■

VOLVO

140 (145) 08.66-02.75	Estate (Executive car-E Segment)						
1.8 S (B 18 A)	Gasolina	RWD	1779	55	75	08.66-07.68	■
1.8 S (B 18 B)	Gasolina	RWD	1780	74	101	08.66-07.68	■
2.0 S (B 20 A)	Gasolina	RWD	1986	60	82	08.68-07.74	■
2.0 S (B 20 D)	Gasolina	RWD	1986	70	95	08.72-07.74	■
2.0 S (B 20 B)	Gasolina	RWD	1986	73	100	08.72-07.73	■
2.0 S (B 20 B)	Gasolina	RWD	1986	74	101	08.72-07.74	■
2.0 S (B 20 E)	Gasolina	RWD	1986	91	124	08.72-07.73	■
2.0 S	Gasolina	RWD	1998	85	116	09.73-02.75	■

140 (142, 144) 08.66-08.75	Saloon (Executive car-E Segment)						
1.8 (B 18 A)	Gasolina	RWD	1779	55	75	08.66-07.68	■
1.8 S (B 18 B)	Gasolina	RWD	1780	74	101	07.67-01.72	■
2.0 (B 20 A)	Gasolina	RWD	1986	60	82	08.68-07.74	■
2.0 (B 20 D)	Gasolina	RWD	1986	70	95	08.71-07.72	■
2.0 S (B 20 B)	Gasolina	RWD	1986	74	101	11.68-09.72	■
2.0 (B 20 E)	Gasolina	RWD	1986	91	124	09.70-04.75	■
2.0 S	Gasolina	RWD	1998	85	116	09.72-08.75	■

164 (164) 08.68-04.75	Saloon (Executive car-E Segment)						
2.9 E (B 30 A)	Gasolina	RWD	2978	96	131	08.68-07.73	■
2.9 (B 30 E)	Gasolina	RWD	2978	118	160	08.72-07.74	■

LISTA DE APLICACIONES - BUYERS GUIDE

220 01.68-						Saloon (Executive car-E Segment)			
2.0 S	01/68-	Gasolina	FWD	1995	59	80	01.68-	■	
221 01.68-						Saloon (Executive car-E Segment)			
2.0	01/68-	Gasolina	FWD	1995	59	80	01.68-	■	
240 (P242, P244) 08.74-12.93						Saloon (Executive car-E Segment)			
2.0 (B 20 A)		Gasolina	RWD	1986	60	82	08.74-07.76	■	
2.0 (B 19 A)		Gasolina	RWD	1986	66	90	08.76-07.79	■	
2.0 (B 19 A)		Gasolina	RWD	1986	71	97	09.78-08.83	■	
2.0 (B 19 K)		Gasolina	RWD	1986	71	97	09.78-08.83	■	
2.0 (B 200 K)		Gasolina	RWD	1986	76	103	08.84-07.85	■	
2.0 (B 200 E)	-12/85	Gasolina	RWD	1986	89	121	09.84-12.93	■	
2.1 (B 21 A)		Gasolina	RWD	2127	71	97	08.74-07.75	■	
2.1 (B 21 A)		Gasolina	RWD	2127	74	100	08.75-07.80	■	
2.1 (B 21 A)		Gasolina	RWD	2127	79	107	08.80-07.84	■	
2.1 (B 21 E)		Gasolina	RWD	2127	90	122	08.74-09.83	■	
2.1 Turbo (B 21 ET)		Gasolina	RWD	2127	114	155	08.80-07.84	■	
2.3 (B 230 F)		Gasolina	RWD	2315	83	113	08.86-07.87	■	
2.3 (B 230 A)		Gasolina	RWD	2316	81	110	08.84-07.86	■	
2.3 (B 23 A)		Gasolina	RWD	2316	82	112	08.80-07.84	■	
2.3 (B 230 K)		Gasolina	RWD	2316	85	115	08.86-12.88	■	
2.3 i Cat (B 230 F)		Gasolina	RWD	2316	85	115	08.86-07.93	■	
2.3 (B 230 E)		Gasolina	RWD	2316	96	131	08.83-07.85	■	
2.3 (B 23 E)		Gasolina	RWD	2316	98	133	08.84-12.89	■	
2.3 (B 23 E)		Gasolina	RWD	2316	100	136	08.80-07.83	■	
2.3 (B 23 F)		Gasolina	RWD	2316	100	136	08.80-07.83	■	
2.3 (B 23 E)		Gasolina	RWD	2316	103	140	08.78-12.82	■	
2.7 GLT6 (B 27 E)		Gasolina	RWD	2664	104	141	08.79-07.80	■	
2.4 Diesel (D 24)		Diesel	RWD	2383	58	79	08.87-08.93	■	
2.4 Diesel (D 24)		Diesel	RWD	2383	60	82	08.78-07.85	■	
240 Kombi (P245) 08.74-12.93						Estate (Executive car-E Segment)			
2.0 (B 20 A)		Gasolina	RWD	1986	60	82	08.74-07.75	■	
2.0 (B 19 A)		Gasolina	RWD	1986	66	90	08.76-01.82	■	
2.0 (B 19 A)		Gasolina	RWD	1986	71	97	08.80-12.84	■	
2.0 (B 19 K)		Gasolina	RWD	1986	71	97	08.80-12.84	■	
2.0 (B 200 K)		Gasolina	RWD	1986	76	103	08.84-07.85	■	
2.0 (B 200 E)		Gasolina	RWD	1986	86	117	08.83-07.93	■	
2.1 (B 21 A)		Gasolina	RWD	2127	71	97	08.74-07.75	■	
2.1 (B 21 A)		Gasolina	RWD	2127	74	100	08.75-07.80	■	
2.1 (B 21 A)		Gasolina	RWD	2127	79	107	08.80-07.84	■	
2.1 (B 21 F)		Gasolina	RWD	2127	80	109	08.80-07.84	■	
2.1		Gasolina	FWD	2127	86	117	01.77-08.78	■	
2.1 (B 21 E)		Gasolina	RWD	2127	90	122	08.74-09.83	■	
2.1 Turbo (B 21 ET)		Gasolina	RWD	2127	114	155	08.80-07.85	■	
2.3 (B 230 A)		Gasolina	RWD	2316	81	110	08.84-07.86	■	
2.3 (B 23 A)		Gasolina	RWD	2316	82	112	08.80-07.84	■	
2.3 (B 230 F)		Gasolina	RWD	2316	83	113	08.86-07.87	■	
2.3 (B 230 K)		Gasolina	RWD	2316	85	115	08.86-12.88	■	
2.3 i Cat (B 230 F)		Gasolina	RWD	2316	85	115	08.86-07.93	■	
2.3 (B 230 E)		Gasolina	RWD	2316	96	131	08.84-07.85	■	
2.3 (B 23 E)		Gasolina	RWD	2316	98	133	08.84-12.88	■	

LISTA DE APLICACIONES - BUYERS GUIDE

2.3 (B 23 E)		Gasolina	RWD	2316	100	136	08.80-12.84	■	
2.3 Cat (B 230 F)		Gasolina	RWD	2316	100	136	08.91-07.92	■	
2.7 GLT6 (B 27 E)		Gasolina	RWD	2664	104	141	08.79-07.80	■	
2.8 (B 28 A)		Gasolina	RWD	2849	95	129	10.81-09.82	■	
2.8 (B 28 E)		Gasolina	RWD	2849	114	155	10.80-09.82	■	
2.0 D (D 20)		Diesel	RWD	1985	50	68	09.78-10.80	■	
2.4 Diesel (D 24)		Diesel	RWD	2383	58	79	08.88-08.93	■	
2.4 Diesel (D 24)		Diesel	RWD	2383	60	82	04.79-08.93	■	
260 (P262) 09.75-12.85					Coupe (Executive car-E Segment)				
2.7 (B 27 E)		Gasolina	RWD	2664	103	140	08.77-07.78	■	
260 (P265) 07.75-07.82					Estate (Executive car-E Segment)				
2.7 (B 27 A)		Gasolina	RWD	2664	92	125	08.75-07.77	■	
2.7 (B 27 E)		Gasolina	RWD	2664	103	140	07.75-07.82	■	
2.7 (B 27 F)		Gasolina	RWD	2664	109	148	10.78-07.82	■	
2.8 (B 28 F)		Gasolina	RWD	2849	114	155	08.80-07.82	■	
260 (P262, P264) 08.74-07.82					Saloon (Executive car-E Segment)				
2.7 (B 27 A)	-12/77	Gasolina	RWD	2664	92	125	08.76-07.82	■	
2.7 (B 27 E)		Gasolina	RWD	2664	103	140	08.74-07.80	■	
2.7 (B 27 E)		Gasolina	RWD	2664	109	148	08.78-07.82	■	
2.7 (B 27 F)		Gasolina	RWD	2664	109	148	08.78-07.82	■	
2.8 (B 28 A)		Gasolina	RWD	2849	95	129	08.80-07.82	■	
2.8 (B 28 E)		Gasolina	RWD	2849	114	155	08.80-07.82	■	
P 122 S AMAZON (120, 121) 05.59-05.71					Estate (Sports car-S Segment)				
1.8 (B 18)		Gasolina	RWD	1779	59	80	08.61-07.67	■	
P 122 S AMAZON 05.59-05.71					Saloon (Sports car-S Segment)				
1.8 (B 18)	-12/68	Gasolina	RWD	1779	63	86	09.66-05.71	■	
1.8 (B 18 D)	-12/68	Gasolina	RWD	1779	66	90	02.67-05.71	■	
1.8 (B 18)	-12/68	Gasolina	RWD	1779	76	103	09.66-05.71	■	
2.0 (B 20 B)		Gasolina	RWD	1986	74	101	11.68-05.71	■	
P 123/131 01.65-					Saloon (Sports car-S Segment)				
1.8 P 123	01/65-	Gasolina	FWD	1795	76	103	01.65-	■	
2.0 P 131	01/68-	Gasolina	FWD	1995			01.65-	■	
P 1800 (P18) 04.62-11.73					Coupe (Sports car-S Segment)				
2.0 ES (B 20 E)		Gasolina	RWD	1986	91	124	08.69-11.73	■	