

LISTA DE APLICACIONES - BUYERS GUIDE

180195

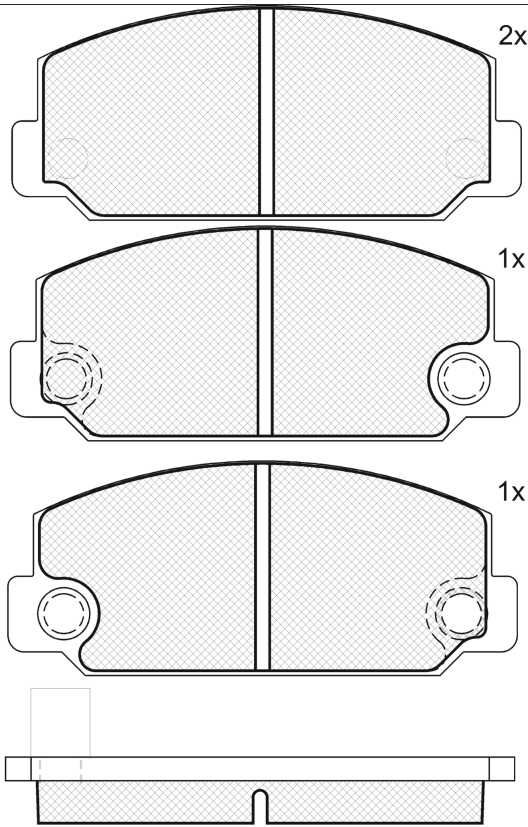


8 424073 007162

Qty: 300

Weight: 930

| O.E.M. | MAKE |
|-------------|--------|
| 04491-20062 | TOYOTA |



HASTA FIN DE EXISTENCIAS
UNTIL EXISTING STOCK RUNS OUT

180195



Akebono

107.8x45.4x14

| WVA | FMSI |
|--------|-----------|
| 20259 | D160-7088 |
| 20541 | |
| 20542 | |
| 20543 | |
| 20544 | |
| MAKE | |
| TOYOTA | |



| | | | |
|-------|----|----|----|
| Trac. | CC | Kw | CV |
|-------|----|----|----|



Front / Rear

TOYOTA

| COROLLA II-IV (KE, TE) 10.72-01.80 | | | | | | | Hatchback (Supermini car-B Segment) | | | |
|------------------------------------|--------|----------|-----|------|----|----|-------------------------------------|--|--|---|
| 1.6 (TE51_, TE51R) (2T) | -12/77 | Gasolina | RWD | 1588 | 54 | 73 | 09.76-01.80 | | | ■ |
| 1.6 (TE51_, TE51R) (2TB) | -12/77 | Gasolina | RWD | 1588 | 62 | 84 | 09.76-01.80 | | | ■ |
| CORONA V (RT118) 02.70-05.79 | | | | | | | Estate (Large family car-D Segment) | | | |
| 1.8 (16R) | | Gasolina | RWD | 1808 | 63 | 86 | 11.73-08.75 | | | ■ |
| CORONA VI (_T1_) 09.78-12.83 | | | | | | | Saloon (Large family car-D Segment) | | | |
| 1.8 (TT1) (3T) | | Gasolina | RWD | 1770 | 63 | 86 | 10.79-01.81 | | | ■ |