

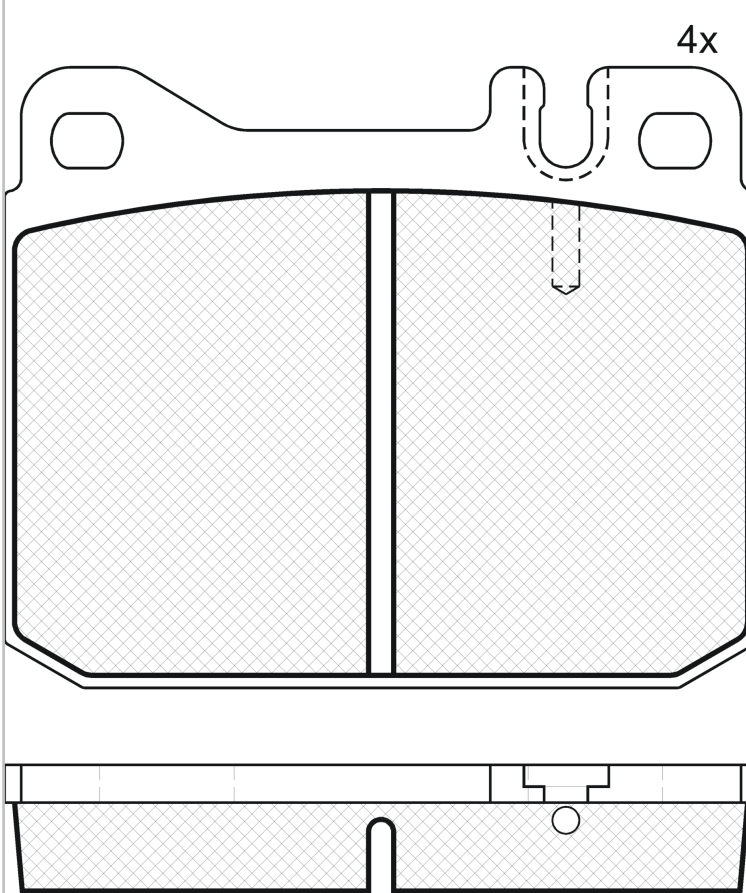
# LISTA DE APLICACIONES - BUYERS GUIDE

## 180197



Qty: 300

Weight: 1.300



## 180197

**E 9 90R-01111/2581**



Ate - Teves

89.66x73.9x15

O.E.M.	MAKE
000 420 63 20	MERCEDES-BENZ
000 420 64 20	MERCEDES-BENZ
000 420 65 20	MERCEDES-BENZ
001 420 24 20	MERCEDES-BENZ
001 420 78 20	MERCEDES-BENZ
001 420 92 20	MERCEDES-BENZ
001 586 36 42	MERCEDES-BENZ
0015866342	MERCEDES-BENZ
002 420 17 20	MERCEDES-BENZ
002 420 24 20	MERCEDES-BENZ
003 420 37 20	MERCEDES-BENZ
003 420 38 20	MERCEDES-BENZ
003 420 74 20	MERCEDES-BENZ
003 420 75 20	MERCEDES-BENZ
0034203620	MERCEDES-BENZ
0084208220	MERCEDES-BENZ
0944201800	MERCEDES-BENZ
A0004207520	MERCEDES-BENZ
A0014200920	MERCEDES-BENZ
A0014209220	MERCEDES-BENZ
A0015866342	MERCEDES-BENZ
A0034203620	MERCEDES-BENZ
A0034207420	MERCEDES-BENZ
A0084208220	MERCEDES-BENZ
A0944201800	MERCEDES-BENZ

WVA	FMSI
20392	D145-7036
20554	
29581	

MAKE
AUDI
CHERY
CITROËN
DEUTZ -FAHR-
FENDT
FORD
FRISCH
HYUNDAI
MERCEDES-BENZ
OPEL
PERODUA
RENAULT
STEYR
ZETTELMEYER



Trac.	CC	Kw	CV			Front / Rear
-------	----	----	----	--	--	--------------

AUDI									
<b>A6 IV C7 (4G2, 4GC) 11.10-</b>							<b>Saloon (Executive car-E Segment)</b>		
3.0 TDI (CLAB)		Diesel	FWD	2967	150	204	11.10-09.18	■	■
3.0 TDI quattro (CLAA)		Diesel	4WD	2967	150	204	03.11-09.18	■	■
CHERY									
<b>QQ6 09.06-</b>							<b>Hatchback (City car-A Segment)</b>		
1.1		Gasolina	FWD	1051	39	52	09.06-	■	■
CITROËN									
<b>C4 Picasso (UD_) 10.06-12.15</b>							<b>MPV (Compact MPV-M1 Segment)</b>		
1.6 THP 155 (5FV (EP6CDT))		Gasolina	FWD	1598	115	156	09.10-08.13	■	■
1.6 HDi 110 (9HR (DV6C))		Diesel	FWD	1560	82	112	09.10-08.13	■	
DEUTZ -FAHR-									
<b>DX 01.78-12.95</b>							<b>Tractor</b>		
110		01/74-	Diesel				01.78-	■	
120		01/74-	Diesel				01.78-	■	
86		01/74-	Diesel				01.78-	■	
92		01/74-	Diesel				01.78-	■	
85 (F 5L 912)			Diesel	4712	59	80	01.78-12.82	■	
85 (F 5L 912)			Diesel	4712	59	80	01.78-12.82	■	
90 (F 5L 912)			Diesel	4712	59	80	01.78-12.82	■	
FENDT									
<b>Farmer 01.58-</b>							<b>Tractor</b>		
-		01/73-	Diesel				01.58-	■	

# LISTA DE APLICACIONES - BUYERS GUIDE

-	01/73-	Diesel					01.58-	■
<b>FORD</b>								
<b>ESCORT I (AFH, ATH) 01.68-02.76</b>					<b>Saloon (Compact car-C Segment)</b>			
1300 (J1F)		Gasolina	RWD	1298	40	54	09.73-02.76	■ ■
1300 (J2)		Gasolina	RWD	1298	42	57	06.70-02.76	■ ■
1300 GT (KL 13 H)		Gasolina	RWD	1298	47	64	06.68-06.71	■ ■
1300 (J3D)		Gasolina	RWD	1298	53	72	06.70-02.76	■ ■
<b>ESCORT I Turnier (ADH) 06.68-03.79</b>					<b>Estate (Compact car-C Segment)</b>			
1100 (KL11)		Gasolina	RWD	1098	29	40	06.68-06.71	■ ■
1100 (G1)		Gasolina	RWD	1098	32	44	06.70-02.76	■ ■
1100 (G2)		Gasolina	RWD	1098	35	48	06.70-02.76	■ ■
1300 (J2)		Gasolina	RWD	1298	42	57	06.70-02.76	■ ■
<b>TAUNUS 12M II (13G) 08.66-06.71</b>					<b>Coupe (Compact car-C Segment)</b>			
1.3 (TV 13 L)		Gasolina	FWD	1305	37	50	08.66-06.71	■
<b>TAUNUS 12M II (11G) 08.66-06.71</b>					<b>Saloon (Compact car-C Segment)</b>			
1.5 (TV 15 H)		Gasolina	FWD	1498	40	54	08.66-06.71	■
<b>TAUNUS 12M II Turnier (15G) 09.66-06.71</b>					<b>Estate (Compact car-C Segment)</b>			
1.3 (TV 13 L)		Gasolina	FWD	1305	37	50	09.66-06.71	■
<b>TAUNUS 15M 09.54-09.58</b>					<b>Saloon (Compact car-C Segment)</b>			
1.5		Gasolina	RWD	1487	40	54	12.54-09.58	■
<b>TAUNUS 15M II (23G) 08.66-06.71</b>					<b>Coupe (Compact car-C Segment)</b>			
1.7 (TV 17 HC)		Gasolina	FWD	1699	55	75	07.68-06.71	■
<b>TAUNUS 15M II (28G) 08.66-06.71</b>					<b>Saloon (Compact car-C Segment)</b>			
1.5 XL/RS (TV 15 H)		Gasolina	FWD	1498	40	54	01.68-06.71	■
1.5 XL/RS (TV 15 H)		Gasolina	FWD	1498	40	54	01.68-06.71	■
<b>FRISCH</b>								
<b>F 1100 C</b>								
Landing Shovel	01/73-	Diesel					01.53-	■ ■
<b>F 1300 AP 5/D</b>								
Landing Shovel	01/73-	Diesel					01.53-	■ ■
<b>HYUNDAI</b>								
<b>GENESIS (BH) 01.08-12.15</b>					<b>Saloon (Luxury car-F Segment)</b>			
3.8 V6 (G6DA)		Gasolina	RWD	3778	213	290	01.08-12.14	■ ■
<b>MERCEDES-BENZ</b>								
<b>/8 (W114) 04.69-02.77</b>					<b>Coupe (Executive car-E Segment)</b>			
250 C (114.021) (M 114.920)	01/70-	Gasolina	RWD	2496	96	130	04.69-06.72	■
250 CE (114.022) (M 114.980)	01/70-	Gasolina	RWD	2496	110	150	04.69-04.72	■
280 C (114.073) (M 110.921)	01/74-	Gasolina	RWD	2746	118	160	06.72-02.77	■
280 CE (114.072) (M 110.981)	01/74-	Gasolina	RWD	2746	136	185	06.72-01.77	■
250 C 2.8 (114.023) (M 130.923)	01/74-	Gasolina	RWD	2778	96	130	06.72-11.76	■
<b>/8 (W114) 01.68-11.76</b>					<b>Saloon (Executive car-E Segment)</b>			
200 (115.015) (M 115.923)	01/74-	Gasolina	RWD	1988	63	86	01.68-01.77	■
200 (115.015) (M 115.926)	01/74-	Gasolina	RWD	1988	63	86	01.68-01.77	■
200 (115.020) (M 115.923)	01/74-	Gasolina	RWD	1988	70	95	01.68-01.77	■
200 (115.020) (M 115.926)	01/74-	Gasolina	RWD	1988	70	95	01.68-01.77	■
230.6 (114.015) (M 180.954)	01/74-	Gasolina	RWD	2292	88	120	01.68-11.76	■

# LISTA DE APLICACIONES - BUYERS GUIDE

230.4 (115.017) (M 115.951)	-12/74	Gasolina	RWD	2307	81	110	08.73-12.76	■	
280 (114.060) (M 110.921)	01/74-	Gasolina	RWD	2746	118	160	06.72-11.76	■	
280 E (114.062) (M 110.981)	01/74-	Gasolina	RWD	2746	136	185	06.72-11.76	■	
250 2.8 (114.011) (M 130.923)	01/74-	Gasolina	RWD	2778	96	130	06.72-11.76	■	
220 D (115.110) (OM 615.912)	01/74-	Diesel	RWD	2197	44	60	01.68-01.77	■	
240 D (115.117) (OM 616.916)	01/74-	Diesel	RWD	2404	48	65	08.73-01.77	■	
240 D 3.0 (115.114) (OM 617.910)		Diesel	RWD	2998	59	80	08.74-11.76	■	
<b>123 (C123) 03.77-12.85</b>							<b>Coupe (Executive car-E Segment)</b>		
230 C (123.043) (M 115.954)	-12/79	Gasolina	RWD	2307	80	109	05.77-04.80	■	
280 C (123.050) (M 110.923)	-12/79	Gasolina	RWD	2746	115	156	03.77-03.80	■	
280 CE (123.053) (M 110.988)		Gasolina	RWD	2746	130	177	09.77-08.79	■	
280 CE (M 110.988)	-12/79	Gasolina	RWD	2746	136	185	03.77-11.85	■	
<b>123 (W123) 01.76-12.85</b>							<b>Saloon (Executive car-E Segment)</b>		
200 (123.020) (M 115.938)	-12/79	Gasolina	RWD	1988	62	84	02.76-08.80	■	
200 (123.020) (M 115.939)	-12/79	Gasolina	RWD	1988	62	84	02.76-08.80	■	
200 (123.020) (M 115.938)	-12/79	Gasolina	RWD	1988	69	94	02.76-08.80	■	
200 (123.020) (M 115.939)	-12/79	Gasolina	RWD	1988	69	94	02.76-08.80	■	
230 (123.023) (M 115.954)	-12/79	Gasolina	RWD	2307	80	109	02.76-03.81	■	
250 (123.026) (M 123.921)		Gasolina	RWD	2525	95	129	02.76-10.79	■	
280 (123.030) (M 110.923)	-12/79	Gasolina	RWD	2746	115	156	02.76-08.81	■	
280 E (123.033) (M 110.988)	-12/79	Gasolina	RWD	2746	130	177	08.76-08.81	■	
280 E (123.033) (M 110.984)	-12/79	Gasolina	RWD	2746	136	185	02.76-11.85	■	
280 E (123.033) (M 110.988)	-12/79	Gasolina	RWD	2746	136	185	02.76-11.85	■	
200 D (123.120) (OM 615.940)		Diesel	RWD	1988	40	55	07.76-02.79	■	
200 D (123.120) (OM 615.940)	-12/80	Diesel	RWD	1988	44	60	03.79-11.85	■	
220 D (123.126) (OM 615.941)		Diesel	RWD	2197	44	60	01.76-02.79	■	
220 D (123.126) (OM 615.941)		Diesel	RWD	2197	49	67	01.77-03.79	■	
240 D (123.123) (OM 616.912)		Diesel	RWD	2399	48	65	02.76-02.79	■	
300 D (123.130) (OM 617.912)	-12/79	Diesel	RWD	2998	59	80	02.76-07.80	■	
<b>123 T-Model (S123) 09.77-12.86</b>							<b>Estate (Executive car-E Segment)</b>		
230 T (123.083) (M 115.954)	-12/79	Gasolina	RWD	2307	80	109	09.77-03.80	■	
250 T (123.086) (M 123.921)		Gasolina	RWD	2525	95	129	05.78-10.79	■	
250 T (123.086) (M 123.921)	-12/79	Gasolina	RWD	2525	103	140	05.78-08.82	■	
280 TE (123.093) (M 110.988)	-12/79	Gasolina	RWD	2746	136	185	09.77-11.85	■	
240 T D (123.183) (OM 616.912)		Diesel	RWD	2399	48	65	09.77-02.79	■	
300 T D (123.190) (OM 617.912)	-12/79	Diesel	RWD	2998	59	80	09.77-10.85	■	
<b>403</b>							<b>Tractor</b>		
-	01/73-	Diesel					01.53-	■ ■	
<b>406</b>							<b>Tractor</b>		
-	01/73-	Diesel					01.53-	■ ■	
<b>65</b>							<b>Tractor</b>		
-	01/73-	Diesel					01.53-	■ ■	
<b>70</b>							<b>Tractor</b>		
-	01/73-	Diesel					01.53-	■ ■	
<b>MB II (W661) 11.99-05.05</b>							<b>Van (LCVs-N1 Segment)</b>		
100 /426	01/74-	Diesel	RWD		55	75	11.99-	■	
<b>MB1000 01.76-</b>							<b>Van (LCVs-N1 Segment)</b>		
1000	01/76-	Diesel	RWD				01.76-	■ ■	

# LISTA DE APLICACIONES - BUYERS GUIDE

<b>MB120 01.73-</b>						<b>Van (LCVs-N1 Segment)</b>			
125/416	01/73-	Diesel	RWD		55	75	01.73-	■	
<b>MB65 01.73-</b>						<b>Van (LCVs-N1 Segment)</b>			
65	01/74-	Diesel	RWD		53	72	01.73-	■	■
<b>MB70 01.73-</b>						<b>Van (LCVs-N1 Segment)</b>			
70/406	01/74-	Diesel	RWD		53	72	01.73-	■	
<b>MB700 01.73-</b>						<b>Van (LCVs-N1 Segment)</b>			
700 Turbo	01/76-	Diesel	RWD		48	65	01.73-	■	■
<b>MB80 01.73-</b>						<b>Van (LCVs-N1 Segment)</b>			
80 /406	01/74-	Diesel	RWD		53	72	01.73-	■	
84/406	01/74-	Diesel	RWD		53	72	01.73-	■	
<b>MB90 01.73-</b>						<b>Van (LCVs-N1 Segment)</b>			
99/406	01/73-	Diesel	RWD		55	75	01.73-	■	
<b>MB900 01.73-</b>						<b>Van (LCVs-N1 Segment)</b>			
900/406	01/78-	Diesel	RWD				01.73-	■	■
<b>MB-TRAC 07.73-12.91</b>						<b>Tractor</b>			
65/70, 700, 800 (OM 314.956)		Diesel		3782	48	65	07.73-12.91	■	■
65/70, 700, 800 (OM 314.957)		Diesel		3782	48	65	07.73-12.91	■	■
900 (OM 314.970)		Diesel		3782	63	85	09.81-12.91	■	■
700, 800 (OM 364.908)		Diesel		3972	50	68	02.87-12.91	■	■
700, 800 (OM 364.909)		Diesel		3972	50	68	02.87-12.91	■	■
900 (OM 364.951)		Diesel		3972	66	90	03.87-12.91	■	■
1000 (OM 353.985)		Diesel		5675	70	95	12.82-12.87	■	■
<b>S-Class (W116) 08.72-07.80</b>						<b>Saloon (Luxury car-F Segment)</b>			
280 S (116.020) (M 110.922)	01/74-	Gasolina	RWD	2746	115	156	08.72-07.80	■	
280 S (116.020) (M 110.922)	01/74-	Gasolina	RWD	2746	118	160	08.72-07.80	■	
280 SE, SEL (116.024, 116.025) (M 110.985)	01/74-	Gasolina	RWD	2746	130	177	08.72-07.80	■	
280 SE, SEL (116.024, 116.025) (M 110.983)	01/74-	Gasolina	RWD	2746	136	185	08.72-07.80	■	
280 SE, SEL (116.024, 116.025) (M 110.985)	01/74-	Gasolina	RWD	2746	136	185	08.72-07.80	■	
350 SE, SEL (116.028, 116.029) (M 116.985)		Gasolina	RWD	3499	143	194	03.76-03.80	■	
350 SE, SEL (116.028, 116.029) (M 116.983)	01/74-	Gasolina	RWD	3499	147	200	08.72-02.76	■	
350 SE, SEL (116.028, 116.029) (M 116.985)		Gasolina	RWD	3499	151	205	03.76-03.80	■	
450 SE (M 117.983)		Gasolina	RWD	4520	143	194	08.72-12.76	■	
450 SE,SEL (116.033) (M 117.983)		Gasolina	RWD	4520	160	218	12.75-04.80	■	
450 SE,SEL (116.033) (M 117.986)		Gasolina	RWD	4520	160	218	12.75-04.80	■	
450 SE, SEL (116.032) (M 117.983)	01/74-	Gasolina	RWD	4520	165	224	01.73-04.80	■	
450 SE, SEL (116.032) (M 117.986)	01/74-	Gasolina	RWD	4520	165	224	01.73-04.80	■	
450 SEL 6.9 (116.036) (M 100.985)		Gasolina	RWD	6834	210	286	07.75-03.80	■	
<b>SL-Class III (R107) 05.71-12.89</b>						<b>Convertible (Executive car-E Segment)</b>			
280 SL (107.042) (M 110.982)	-12/79	Gasolina	RWD	2746	130	177	06.76-09.81	■	
280 SL (107.042) (M 110.986)	-12/79	Gasolina	RWD	2746	130	177	06.76-09.81	■	
280 SL (107.042) (M 110.990)	-12/79	Gasolina	RWD	2746	130	177	06.76-09.81	■	
280 SL (107.042) (M 110.982)	-12/79	Gasolina	RWD	2746	136	185	08.74-07.85	■	
280 SL (107.042) (M 110.986)	-12/79	Gasolina	RWD	2746	136	185	08.74-07.85	■	
280 SL (107.042) (M 110.990)	-12/79	Gasolina	RWD	2746	136	185	08.74-07.85	■	
350 SL (107.043) (M 116.982)	01/76-	Gasolina	RWD	3499	143	195	05.71-02.80	■	
350 SL (107.043) (M 116.984)	01/76-	Gasolina	RWD	3499	143	195	05.71-02.80	■	

# LISTA DE APLICACIONES - BUYERS GUIDE

450 SL (107.044)		Gasolina	FWD	4520	134	182	09.74-12.79	■	
450 SL (107.044) (M 117.982)	-12/79	Gasolina	RWD	4520	160	218	09.75-10.80	■	
450 SL (107.044) (M 117.985)	-12/79	Gasolina	RWD	4520	160	218	09.75-10.80	■	
450 SL (107.044) (M 117.982)	01/74-	Gasolina	RWD	4520	165	224	10.72-10.80	■	
450 SL (107.044) (M 117.985)	01/74-	Gasolina	RWD	4520	165	224	10.72-10.80	■	
<b>SL-Class III (C107) 01.72-08.85</b>				<b>Coupe (Executive car-E Segment)</b>					
280 SLC (107.022) (M 110.982)	-12/79	Gasolina	RWD	2746	130	177	06.76-09.81	■	
280 SLC (107.022) (M 110.986)	-12/79	Gasolina	RWD	2746	130	177	06.76-09.81	■	
280 SLC (107.022) (M 110.990)	-12/79	Gasolina	RWD	2746	130	177	06.76-09.81	■	
280 SLC (107.022) (M 110.982)	-12/79	Gasolina	RWD	2746	136	185	08.74-09.81	■	
280 SLC (107.022) (M 110.986)	-12/79	Gasolina	RWD	2746	136	185	08.74-09.81	■	
280 SLC (107.022) (M 110.990)	-12/79	Gasolina	RWD	2746	136	185	08.74-09.81	■	
350 SLC (107.023) (M 116.982)	-12/79	Gasolina	RWD	3499	143	195	03.76-02.80	■	
350 SLC (107.023) (M 116.984)	-12/79	Gasolina	RWD	3499	143	195	03.76-02.80	■	
450 SLC (107.024) (M 117.982)		Gasolina	RWD	4520	160	218	09.75-08.79	■	
450 SLC (107.024) (M 117.985)		Gasolina	RWD	4520	160	218	09.75-08.79	■	
450 SLC (107.024) (M 117.982)	01/74-	Gasolina	RWD	4520	165	225	01.73-11.75	■	
450 SLC (107.024) (M 117.985)	01/74-	Gasolina	RWD	4520	165	225	01.73-11.75	■	
450 SLC 5.0 (107.026) (M 117.960)	-12/79	Gasolina	RWD	4973	177	241	06.78-02.80	■	
<b>UNIMOG 01.55-</b>				<b>Cab with engine</b>					
U 60T, U 600T (OM 616.911)		Diesel		2404	38	52	01.77-05.88	■	■
U 60T, U 600T (OM 616.915)		Diesel		2404	38	52	01.77-05.88	■	■
U 60T, U 600T (OM 616.931)		Diesel		2404	38	52	01.77-05.88	■	■
U 60T, U 600T (OM 616.932)		Diesel		2404	38	52	01.77-05.88	■	■
U 65 T, U 70 T (OM 352.919)	01/76-	Diesel		5675	48	65	01.62-01.88	■	■
U 80 T, U 90 T (OM 352.903)	01/76-	Diesel		5675	59	80	05.66-	■	■
U 80 T, U 90 T (OM 352.984)	01/76-	Diesel		5675	59	80	05.66-	■	■
U 100, U 110T, U 1100T (OM 353.901)	-12/92	Diesel		5675	74	100	01.77-	■	■
U 100, U 110T, U 1100T (OM 353.940)	-12/92	Diesel		5675	74	100	01.77-	■	■
U 100, U 110T, U 1100T (OM 353.980)	-12/92	Diesel		5675	74	100	01.77-	■	■
U 1000T (OM 353.940)		Diesel		5675	81	110	01.77-12.82	■	■
U 1000T (OM 353.980)		Diesel		5675	81	110	01.77-12.82	■	■
<b>UNIMOG 01.55-</b>				<b>Platform/Chassis</b>					
U 100	01/76-	Diesel			74	100	01.55-	■	■
U 110	01/76-	Diesel			81	110	01.55-	■	■
U 125	01/76-	Diesel			92	125	01.55-	■	■
U 45 (OM 615.911)		Diesel		2197	33	45	01.66-04.71	■	■
U S 404 (OM 615.911)	01/73-	Diesel		2197	33	45	01.68-	■	■
U 600 (OM 616.942)	-12/92	Diesel		2399	38	52	05.88-	■	■
U 600 (OM 616.943)	-12/92	Diesel		2399	38	52	05.88-	■	■
U 600 (OM 616.942)	-12/92	Diesel		2399	38	52	05.88-	■	■
U 600 (OM 616.943)	-12/92	Diesel		2399	38	52	05.88-	■	■
U 650,U 650L (OM 616.942)	-12/92	Diesel		2399	38	52	05.88-	■	■
U 650,U 650L (OM 616.943)	-12/92	Diesel		2399	38	52	05.88-	■	■
U 650,U 650L (OM 616.942)	-12/92	Diesel		2399	38	52	05.88-	■	■
U 650,U 650L (OM 616.943)	-12/92	Diesel		2399	38	52	05.88-	■	■
U 52, U 60, U 600,U 600L (OM 616.911)		Diesel		2404	38	52	01.77-05.88	■	■
U 52, U 60, U 600,U 600L (OM 616.915)		Diesel		2404	38	52	01.77-05.88	■	■
U 52, U 60, U 600,U 600L (OM 616.931)		Diesel		2404	38	52	01.77-05.88	■	■
U 52, U 60, U 600,U 600L (OM 616.932)		Diesel		2404	38	52	01.77-05.88	■	■

# LISTA DE APLICACIONES - BUYERS GUIDE

U 100L		Diesel		2874	65	88	11.92-07.08		■	
U 54 (OM 314.916)		Diesel		3780	40	54	04.66-03.72	■	■	
U 72 ,U 80 (OM 314.917)		Diesel		3780	48	65	01.69-01.77	■	■	
U 800 (OM 314.917)		Diesel		3780	53	72	01.77-03.90	■	■	
U 800 (OM 314.917)		Diesel		3780	53	72	05.88-03.90	■	■	
U 800L (OM 314.917)		Diesel		3780	53	72	01.77-03.90	■	■	
U 66, U 72 (OM 314.917)	01/76-	Diesel		3780	55	75	03.69-01.88	■	■	
U 65, U 70 (OM 312.954)	01/76-	Diesel		4580	48	65	01.62-01.88	■	■	
U 65, U 70 (OM 352.919)	01/76-	Diesel		5675	48	65	01.62-01.88	■	■	
U 80, U 84, U 90 (OM 352.903)	01/76-	Diesel		5675	62	84	05.69-01.88	■	■	
U 80, U 84, U 90 (OM 353.902)	01/76-	Diesel		5675	62	84	05.69-01.88	■	■	
U 900 (OM 353.902)	-12/92	Diesel		5675	62	84	01.77-	■	■	
U 900 (OM 353.902)	-12/92	Diesel		5675	62	84	05.88-	■	■	
U 1000 (OM 353.962)		Diesel		5675	70	95	01.77-05.88	■	■	
U 100, U 110, U 1100L (OM 353.901)		Diesel		5675	74	100	01.77-05.88		■	
U 100, U 110, U 1100L (OM 353.940)		Diesel		5675	74	100	01.77-05.88		■	
U 100, U 110, U 1100L (OM 353.980)		Diesel		5675	74	100	01.77-05.88		■	
U 1150,U 1150L (OM 353.940)	-12/92	Diesel		5675	81	110	05.88-	■	■	
U 1150,U 1150L (OM 353.940)	-12/92	Diesel		5675	81	110	05.88-	■	■	
U 900 (OM 353.940)		Diesel		5675	81	110	01.77-01.88	■	■	
U 1150L (OM 353.907)	-12/92	Diesel		5675	92	125	05.88-	■	■	
U 1200 (OM 353.973)		Diesel		5675	92	125	02.82-05.88	■	■	
U 1200 (OM 353.995)		Diesel		5675	92	125	02.82-05.88	■	■	
U 125, U 1100L (OM 353.907)		Diesel		5675	92	125	01.77-01.88	■	■	
U 1250 (OM 353.973)		Diesel		5675	92	125	12.84-05.88		■	
U 1250 (OM 353.995)		Diesel		5675	92	125	12.84-05.88		■	
U 1300,U 1300L (OM 353.961)		Diesel		5675	92	125	01.77-05.88	■	■	
U 1300,U 1300L (OM 353.973)		Diesel		5675	92	125	01.77-05.88	■	■	
U 1000 (OM 356.914)	-12/92	Diesel		5958	75	102	01.88-	■	■	
U 1000 (OM 366.915)	-12/92	Diesel		5958	75	102	01.88-	■	■	
U 900 (OM 356.912)	-12/92	Diesel		5958	81	110	11.88-	■	■	
U 900 (OM 366.939)	-12/92	Diesel		5958	81	110	11.88-	■	■	
U 1200 (OM 356.950)	-12/88	Diesel		5958	92	125	01.88-	■	■	
U 1200 (OM 356.954)	-12/88	Diesel		5958	92	125	01.88-	■	■	
U 1200 (OM 366.949)	-12/88	Diesel		5958	92	125	01.88-	■	■	
U 1550L		Diesel		5958	132	179	05.88-07.08	■	■	
<b>UNIMOG 01.55-</b>							<b>Platform/Chassis</b>			
U S 404 (M 180.952)	01/73-	Gasolina		2195	60	82	01.55-12.76	■	■	
U S 404 (M 180.953)	01/73-	Gasolina		2195	60	82	01.55-12.76	■	■	
<b>OPEL</b>										
<b>CORSA A (S83) 02.86-09.94</b>							<b>Hatchback Van (LCVs-N1 Segment)</b>			
1.3 (F08, W5L) (13 SB)		Gasolina	FWD	1297	51	69	02.86-04.89	■	■	
<b>PERODUA</b>										
<b>KANCIL / NIPPA 08.94-</b>							<b>Hatchback (City car-A Segment)</b>			
0.7 (L200) (EF-CL)		Gasolina	FWD	659	23	31	08.94-07.09	■	■	
<b>RENAULT</b>										
<b>TRAFIC (T_, P_, V_) 03.80-04.89</b>							<b>Bus (Minibus-M2-Segment)</b>			
1.7 (F1N 724)		Gasolina	FWD	1721	50	68	06.86-04.89	■	■	

# LISTA DE APLICACIONES - BUYERS GUIDE

<b>TRAFIC (T_, P_, V_) 03.80-04.89</b>					<b>Platform/Chassis (LCVs-N1 Segment)</b>				
2.0 (829 720)		Gasolina	RWD	1995	63	86	03.80-12.86	■	■
2.0 (829 721)		Gasolina	RWD	1995	63	86	03.80-12.86	■	■
<b>TRAFIC (T_, P_, V_) 03.80-04.89</b>					<b>Van (LCVs-N1 Segment)</b>				
1.6 (A1M 707)		Gasolina	FWD	1647	48	65	01.83-06.86	■	■
1.6 (A1M 708)		Gasolina	FWD	1647	48	65	01.83-06.86	■	■
1.7 (F1N 724)		Gasolina	FWD	1721	50	68	06.86-04.89	■	■
1.7 (F1N 720)		Gasolina	FWD	1721	50	68	08.92-08.94	■	■
<b>STEYR</b>									
<b>8100</b>									
-	01/73-	Diesel					01.53-	■	
<b>8120</b>									
-	01/73-	Diesel					01.53-	■	
<b>ZETTELMAYER</b>									
-									
-	01/73-	Diesel					01.53-	■	■