

LISTA DE APLICACIONES - BUYERS GUIDE

180274

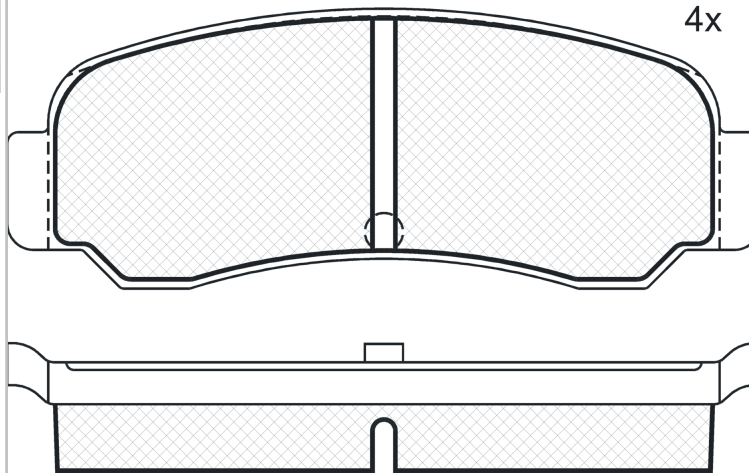


8 424073 007629

Qty: 944

Weight: 750

O.E.M.	MAKE
DBP 521 151	MITSUBISHI
MB 134 965	MITSUBISHI
MB 151 001	MITSUBISHI



180274



Akebono

98.8x37x14

WVA	FMSI
20864	D198-7121
MAKE	
MITSUBISHI	



Trac.	CC	Kw	CV
-------	----	----	----



Front / Rear

MITSUBISHI

COLT LANCER II (A7_) 02.73-09.79

Saloon (Supermini car-B Segment)

1.6 (A73A) (4G32 GS)		Gasolina	RWD	1597	60	82	01.78-09.79	■
LANCER II (A17_) 09.79-02.83								
Saloon (Supermini car-B Segment)								
1.6 (A174) (4G32 GS)	01/81-	Gasolina	RWD	1597	60	82	09.79-02.83	■
1.6 (A174) (4G32 GS)		Gasolina	RWD	1597	62	84	01.81-02.83	■