

# LISTA DE APLICACIONES - BUYERS GUIDE

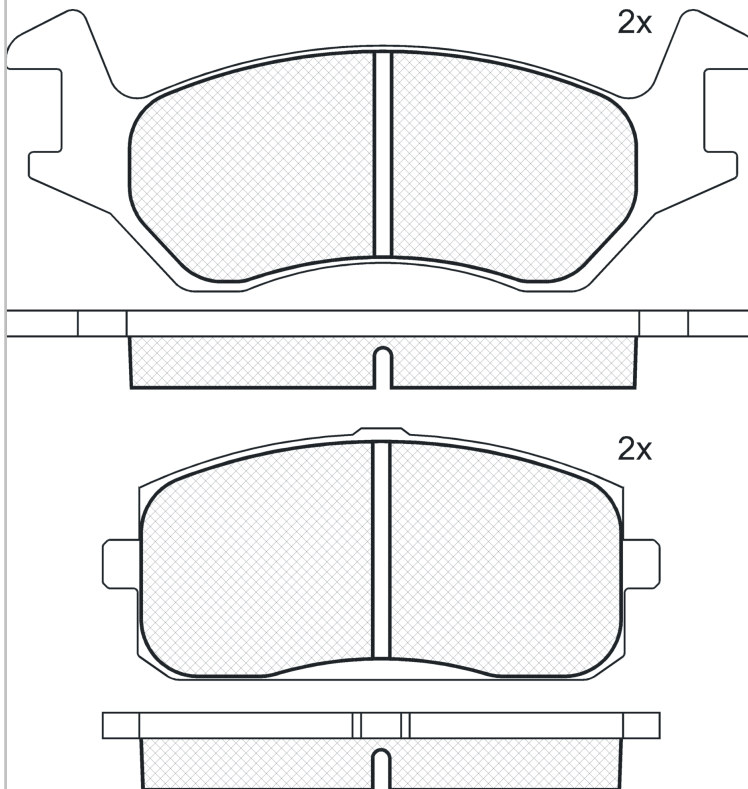
## 180294



Qty: 300

Weight: 780

O.E.M.	MAKE
04465-10180	TOYOTA
04491-10142	TOYOTA
04491-12101	TOYOTA
04491-12110	TOYOTA
04491-12112	TOYOTA
04491-16010	TOYOTA
04491-16020	TOYOTA
04491-16021	TOYOTA
04491-16022	TOYOTA
04491-16023	TOYOTA
04491-16024	TOYOTA



## 180294



Akebono

97.6x43.9x13.5  
132.35x49.4x13.5

WVA	FMSI
20605	D180-7107
20606	
MAKE	
TOYOTA	



Trac.	CC	Kw	CV
-------	----	----	----



Front / Rear

### TOYOTA

STARLET II (KP6_) 02.78-12.84							Estate (Supermini car-B Segment)		
1.0 (KP60) (2K)		Gasolina	RWD	993	33	45	02.78-09.84	■	
1.2 (KP62_, KP62R) (3K-H)		Gasolina	RWD	1166	41	56	02.78-09.82	■	
1.3 (KP61_) (4K)		Gasolina	RWD	1290	41	56	02.78-09.84	■	
1.3 (KP61_) (4K-C)		Gasolina	RWD	1290	44	60	09.82-09.84	■	
1.3 (KP61_) (4K)		Gasolina	RWD	1290	46	63	08.81-08.82	■	
STARLET II (KP6_) 02.78-12.84							Hatchback (Supermini car-B Segment)		
1.0 (KP60) (2K)		Gasolina	RWD	993	33	45	02.78-09.84	■	
1.2 S (KP62) (3K-H)		Gasolina	RWD	1166	39	53	10.78-08.82	■	
1.3 (KP61) (4K)		Gasolina	RWD	1290	41	56	02.78-09.84	■	
1.3 S (KP61) (4K)		Gasolina	RWD	1290	48	65	08.82-09.84	■	
STARLET 1000 (KP_) 11.74-08.78							Coupe (Supermini car-B Segment)		
1.0 (KP30_, KP30R) (2K)	-12/77	Gasolina	RWD	993	33	45	11.74-08.78	■	
STARLET 1000 Kombi (KP_) 11.74-08.78							Estate (Supermini car-B Segment)		
1.0 (KP36_, KP36R) (2K)	-12/77	Gasolina	RWD	993	33	45	05.76-08.78	■	
TERCEL I-II (_L1_, _L2_) 03.79-01.88							Hatchback (Supermini car-B Segment)		
1.3 (AL20, AL11) (2A)	-12/82	Gasolina	FWD	1295	48	65	03.79-01.88	■	
TERCEL I-II (AL1_) 08.78-04.82							Saloon (Supermini car-B Segment)		
1.3 (AL11_) (2A)	-12/82	Gasolina	FWD	1295	48	65	03.79-04.82	■	