

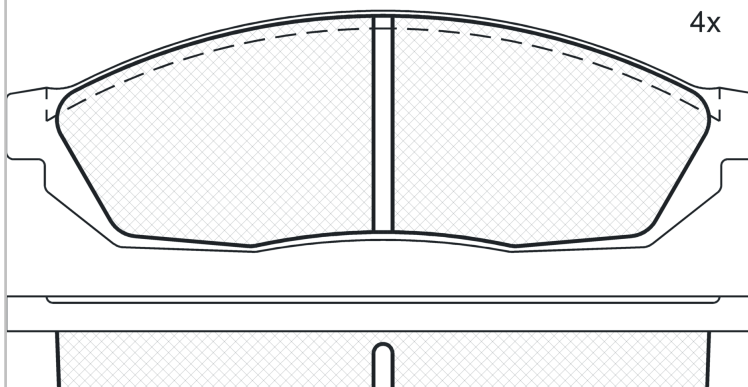
# LISTA DE APLICACIONES - BUYERS GUIDE

## 180311



Qty: 300      Weight: 899

O.E.M.	MAKE
45022-SA0-670	HONDA
45022-SA0-999HE	HONDA
45022-SA0-N50	HONDA
45022-SA0-N51	HONDA
55200-56850	SUZUKI
55200-56851	SUZUKI
55200-60B50	SUZUKI
55200-70820	SUZUKI
55200-70860	SUZUKI
55200-70861	SUZUKI
55200-70862	SUZUKI
55210-56A50	SUZUKI
55210-70820	SUZUKI
55210-78	BEDFORD
55210-78450	SUZUKI
55210-78460	MARUTI
55210-84500	SUZUKI
55210-85000	SUZUKI
55210-85200	SUZUKI
55210-M84500	MARUTI
90 485 512	VAUXHALL
91 128 990	VAUXHALL
91 143 129	VAUXHALL
GBP90264	TRIUMPH
GBP90269	TRIUMPH



## 180311



Sumitomo

119.4x38.2x15.3

WVA	FMSI
20731	D177-7104
MAKE	
BEDFORD	
GMC	
GME	
HOLDEN	
HONDA	
MARUTI	
OPEL	
SUZUKI	
TRIUMPH	
VAUXHALL	



Trac.	CC	Kw	CV			Front / Rear
-------	----	----	----	--	--	--------------

BEDFORD								
<b>RASCAL 06.86-06.90</b>						<b>Bus (Minibus-M2-Segment)</b>		
1.0 A las 4 ruedas (CB)		Gasolina	4WD	993	34	46	07.86-06.90	■
<b>RASCAL 06.86-06.90</b>						<b>Van (LCVs-N1 Segment)</b>		
1.0		Gasolina	FWD	970	34	46	07.86-06.90	■
GMC								
<b>RASCAL 01.86-</b>						<b>Platform/Chassis (LCVs-N1 Segment)</b>		
1.0	01/86-	Gasolina	FWD	995	34	46	01.86-	■
GME								
<b>RASCAL 08.85-12.95</b>						<b>Bus (Minibus-M2-Segment)</b>		
1.0		Gasolina	RWD	970	33	45	08.85-08.92	■
<b>RASCAL 08.85-12.95</b>						<b>Van (LCVs-N1 Segment)</b>		
1.0		Gasolina	RWD	970	33	45	08.85-08.92	■
HOLDEN								
<b>SCURRY (NB) 07.85-12.87</b>						<b>Van (LCVs-N1 Segment)</b>		
SK 410	01/86-	Gasolina	FWD				07.85-	■
HONDA								
<b>CIVIC II (SS, SL) 01.78-12.83</b>						<b>Hatchback (Supermini car-B Segment)</b>		
1300 L (SS) (EN1)	-12/81	Gasolina	FWD	1335	44	60	09.79-09.83	■
<b>CIVIC II / BALLADE (SF) 10.79-12.85</b>						<b>Saloon (Supermini car-B Segment)</b>		
1300 L (EN2)	-12/81	Gasolina	FWD	1335	33	45	09.80-09.83	■
1300 L (EN1)	-12/81	Gasolina	FWD	1335	44	60	09.80-09.83	■

# LISTA DE APLICACIONES - BUYERS GUIDE

1300 S (EN4)	-12/81	Gasolina	FWD	1335	52	71	10.79-12.84	■
<b>MARUTI</b>								
<b>800 II-V / UDYOG 01.86-12.06</b>					<b>Hatchback (City car-A Segment)</b>			
0.8 (F8B)	-12/95	Gasolina	FWD	796	26	35	01.91-12.06	■
<b>OPEL</b>								
<b>RASCAL 01.84-</b>					<b>Platform/Chassis (LCVs-N1 Segment)</b>			
1.0	01/84-	Gasolina	FWD	995	33	45	01.84-	■
<b>SUZUKI</b>								
<b>ALTO (0S) 03.79-08.84</b>					<b>Hatchback (City car-A Segment)</b>			
0.8 (SS80) (F8B)		Gasolina	FWD	796	29	39	06.82-08.84	■
0.8		Gasolina	FWD	797	29	39	10.83-08.84	■
<b>ALTO II 09.84-12.88</b>					<b>Hatchback (City car-A Segment)</b>			
0.5		Gasolina	FWD	543	16	22	09.85-05.88	■
0.8 (SB308/CA) (F8B)		Gasolina	FWD	796	29	39	01.86-12.88	■
<b>ALTO III (EC) 01.86-10.93</b>					<b>Hatchback Van (City car-A Segment)</b>			
0.8 (F8B)		Gasolina	FWD	796	29	39	01.86-10.93	■
<b>ALTO III (EC) 12.88-08.94</b>					<b>Hatchback (City car-A Segment)</b>			
0.8 (SB308, MA800) (F8B)		Gasolina	FWD	796	29	39	12.88-11.93	■
<b>ALTO IV (EF, SH410_) 10.93-06.02</b>					<b>Hatchback (City car-A Segment)</b>			
0.8 (F8B)		Gasolina	FWD	796	25	34	11.93-06.96	■
0.8 (F8B)		Gasolina	FWD	796	29	39	11.94-06.96	■
<b>CARRY VII (0S) 10.79-10.85</b>					<b>Van (LCVs-N1 Segment)</b>			
0.8 (ST90) (F8A)		Gasolina	RWD	797	27	37	11.80-10.85	■
<b>CARRY VIII 06.85-</b>					<b>Platform/Chassis (Microcar-A Segment)</b>			
1.0 (DA21T) (F10A)		Gasolina	RWD	970	33	45	07.85-12.90	■
<b>CARRY VIII (ED) 07.85-12.90</b>					<b>Van (LCVs-N1 Segment)</b>			
1.0 (DA21, SK410)		Gasolina	RWD	970	33	45	07.85-12.90	■
<b>MIGHTY BOY 07.85-10.88</b>					<b>Pickup (City car-A Segment)</b>			
0.5		Gasolina	FWD	543	21	29	07.85-10.88	■
<b>SUPER CARRY (ED) 07.85-03.99</b>					<b>Bus (Minibus-M2-Segment)</b>			
1.0 (SK410) (F10A)		Gasolina	RWD	970	30	41	09.94-03.99	■
1.0 (SK410) (F10A)	-12/92	Gasolina	RWD	970	33	45	10.85-03.99	■
<b>SUPER CARRY (ED) 04.85-03.99</b>					<b>Van (LCVs-N1 Segment)</b>			
1.0 (SK410) (F10A)		Gasolina	RWD	970	30	41	09.87-07.92	■
1.0 (SK410) (F10A)		Gasolina	RWD	970	33	45	04.85-07.92	■
<b>TRIUMPH</b>								
<b>ACCLAIM (XD) 10.81-12.85</b>					<b>Saloon (Compact car-C Segment)</b>			
1.3 (XD) (EJ)		Gasolina	FWD	1335	51	69	01.82-12.85	■
<b>VAUXHALL</b>								
<b>RASCAL 07.90-08.93</b>					<b>Bus (Minibus-M2-Segment)</b>			
1.0 (F10A)		Gasolina	RWD	970	34	46	07.90-08.93	■
1.0	01/86-	Gasolina	FWD	995	34	46	07.90-	■
<b>RASCAL 07.90-08.93</b>					<b>Platform/Chassis (LCVs-N1 Segment)</b>			
1.0 (F10A)		Gasolina	RWD	970	34	46	07.90-08.93	■

# LISTA DE APLICACIONES - BUYERS GUIDE