

LISTA DE APLICACIONES - BUYERS GUIDE

180415-700

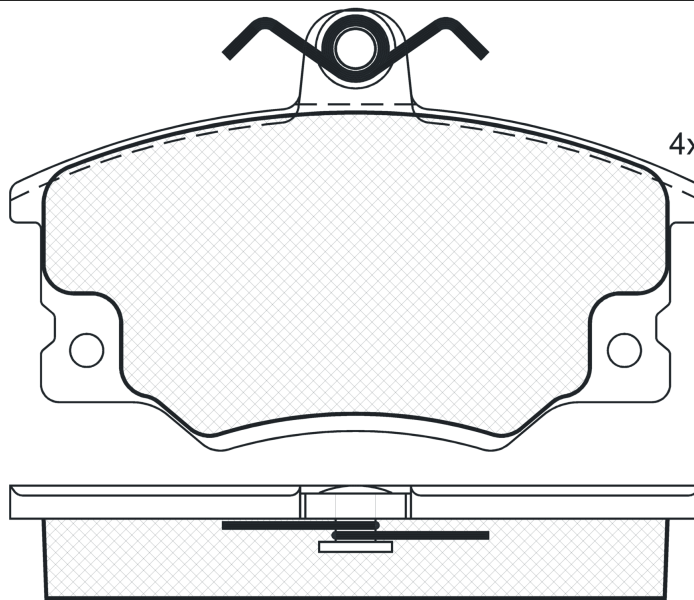


8 424073 052551

Qty: 300

Weight: 1.153

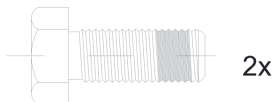
| O.E.M. | MAKE |
|--------------|-------------|
| 0060 777 600 | ALFA ROMEO |
| 0060 794 962 | ALFA ROMEO |
| 0060 810 239 | ALFA ROMEO |
| 4 434 879 | FIAT |
| 5 888 147 | FIAT |
| 5 889 089 | FIAT |
| 5 892 481 | FIAT |
| 5 892 727 | FIAT |
| 5 892 728 | FIAT |
| 5 892 730 | FIAT |
| 5 892 733 | FIAT |
| 5 892 734 | FIAT |
| 5 892 735 | FIAT |
| 5 892 738 | FIAT |
| 5 983 918 | FIAT |
| 7 174 838 5 | FIAT |
| 7 933 55 | AUTOBIANCHI |
| 792 487 | FIAT |
| 792 489 | FIAT |
| 793 220 | FIAT |
| 793323 | FIAT |
| 794 091 | FIAT |
| 794 858 | FIAT |
| 794 963 | FIAT |
| 795 121 | FIAT |



4x

2-Ref. 610045 E

180415-700



1-690022

180415-700

E1 90R-01030/118



Lucas - Girling

104.2x67x17.1

| WVA | FMSI |
|-------|------------|
| 20833 | D2331-9566 |
| 20834 | |
| 21134 | |
| 21135 | |
| 21136 | |

| MAKE |
|-------------|
| ABARTH |
| ALFA ROMEO |
| AUTOBIANCHI |
| FIAT |
| LANCIA |
| LEXUS |
| PININFARINA |



| Trac. | CC | Kw | CV |
|-------|----|----|----|
|-------|----|----|----|



Front / Rear

ABARTH

| RITMO / STRADA 11.81-12.87 | | | | | | | Hatchback (Compact car-C Segment) | | |
|--|----------|-----|------|----|-----|-------------|-----------------------------------|--|--|
| 125 TC 2.0 (138.A_) (138 AR1.000) | Gasolina | FWD | 1995 | 92 | 125 | 11.81-12.87 | ■ | | |
| 130 TC 2.0 (138.A_, 138.A) (138 AR2.000) | Gasolina | FWD | 1995 | 96 | 130 | 04.83-12.87 | ■ | | |

ALFA ROMEO

| 145 (3 door) (930_) 07.94-01.01 | | | | | | | Hatchback (Compact car-C Segment) | | |
|----------------------------------|----------|--------|------|------|-----|-------------|-----------------------------------|---|--|
| 1.4 i.e. (930.A3) (AR 33501) | Gasolina | FWD | 1351 | 66 | 90 | 07.94-12.96 | ■ | | |
| 1.6 i.e. (930.A2) (AR 33201) | Gasolina | FWD | 1596 | 76 | 103 | 10.94-12.96 | ■ | | |
| 1.7 i.e. 16V (930.A1) (AR 33401) | Gasolina | FWD | 1712 | 95 | 129 | 10.94-12.96 | ■ | | |
| 1.9 TD (930.A4) (AR 33601) | -12/96 | Diesel | FWD | 1929 | 66 | 90 | 10.94-02.99 | ■ | |
| 1.9 TD (930.A4) (AR 67501) | -12/96 | Diesel | FWD | 1929 | 66 | 90 | 10.94-02.99 | ■ | |
| 1.9 D | -12/96 | Diesel | RWD | 1929 | 68 | 92 | 07.94-02.99 | ■ | |

| 146 (5 door) (930_) 12.94-10.01 | | | | | | | Hatchback (Compact car-C Segment) | | |
|----------------------------------|----------|--------|------|------|-----|-------------|-----------------------------------|---|--|
| 1.4 i.e. (930.B3) (AR 33501) | Gasolina | FWD | 1351 | 66 | 90 | 12.94-12.96 | ■ | | |
| 1.6 i.e. (930.B2) (AR 33201) | Gasolina | FWD | 1596 | 76 | 103 | 12.94-12.96 | ■ | | |
| 1.7 i.e. 16V (930.B1) (AR 33401) | Gasolina | FWD | 1712 | 95 | 129 | 12.94-12.96 | ■ | | |
| 1.9 TD (930.B4A) (AR 33601) | -12/96 | Diesel | FWD | 1929 | 66 | 90 | 12.94-02.99 | ■ | |
| 1.9 TD (930.B4A) (AR 67501) | -12/96 | Diesel | FWD | 1929 | 66 | 90 | 12.94-02.99 | ■ | |
| 1.9 D | | Diesel | RWD | 1929 | 68 | 92 | 05.95-09.96 | ■ | |

| 155 (167_) 01.92-12.97 | | | | | | | Saloon (Compact executive car-D Segment) | | |
|-----------------------------------|----------|-----|------|-----|-----|-------------|--|--|--|
| 1.6 16V T.S. (167.A6A) (AR 67601) | Gasolina | FWD | 1598 | 88 | 120 | 05.96-12.97 | ■ | | |
| 1.7 T.S. 16V (167.A4N) (AR 67106) | Gasolina | FWD | 1747 | 103 | 140 | 05.96-12.97 | ■ | | |
| 1.7 T.S. (167.A4G) (AR 67103) | Gasolina | FWD | 1748 | 83 | 113 | 04.93-04.96 | ■ | | |

LISTA DE APLICACIONES - BUYERS GUIDE

| | | | | | | | | | |
|---|--------|----------|-----|------|---|-----|-------------|---|--|
| 1.7 T.S. (167.A4D, 167.A4H) (AR 67105) | | Gasolina | FWD | 1748 | 85 | 115 | 04.93-04.96 | ■ | |
| 1.8 T.S. (167.A4C, 167.A) (AR 67402) | | Gasolina | FWD | 1756 | 77 | 105 | 02.92-12.97 | ■ | |
| 1.8 T.S. Sport (167.A4A, 167.A4C, 167.A4E) (AR 67101) | | Gasolina | FWD | 1773 | 93 | 127 | 03.92-12.96 | ■ | |
| 1.8 T.S. Sport (167.A4A, 167.A4C, 167.A4E) (AR 67102) | | Gasolina | FWD | 1773 | 93 | 127 | 03.92-12.96 | ■ | |
| 1.8 T.S. (167A4) (AR 67101) | | Gasolina | FWD | 1773 | 95 | 129 | 02.92-05.94 | ■ | |
| 2.0 T.S. (167.A2A, 167.A2D) (AR 67201) | | Gasolina | FWD | 1995 | 104 | 141 | 02.92-05.95 | ■ | |
| 2.0 T.S. (167.A2A, 167.A2D) (AR 67202) | | Gasolina | FWD | 1995 | 104 | 141 | 02.92-05.95 | ■ | |
| 2.0 T.S. (167.A2D) (AR 67201) | | Gasolina | FWD | 1995 | 106 | 144 | 02.92-01.95 | ■ | |
| 2.0 T.S. (167.A2D) (AR 67202) | | Gasolina | FWD | 1995 | 106 | 144 | 02.92-01.95 | ■ | |
| 1.9 TD (167.A3B, 167.A3) (AR 67501) | | Diesel | FWD | 1929 | 66 | 90 | 04.93-12.97 | ■ | |
| SPIDER IV (916_) 09.94-04.05 | | | | | Convertible (Sports car-S Segment) | | | | |
| 2.0 T.SPARK 16V (916S2C00) (AR 16201) | -12/95 | Gasolina | FWD | 1970 | 110 | 150 | 06.95-04.05 | ■ | |
| 2.0 T.SPARK 16V (916S2C00) (AR 32310) | -12/95 | Gasolina | FWD | 1970 | 110 | 150 | 06.95-04.05 | ■ | |
| AUTOBIANCHI | | | | | | | | | |
| Y10 (156) 03.85-10.95 | | | | | Hatchback (City car-A Segment) | | | | |
| 1.1 | | Gasolina | FWD | 1108 | 37 | 50 | 02.90-09.92 | ■ | |
| 1.1 (156C.000) | | Gasolina | FWD | 1108 | 42 | 57 | 06.89-10.95 | ■ | |
| 1.1 i.e. Cat (156C.046) | | Gasolina | FWD | 1108 | 42 | 57 | 09.90-10.95 | ■ | |
| 1.3 i.e. GT (146A5.046) | -12/92 | Gasolina | FWD | 1297 | 54 | 73 | 06.89-10.95 | ■ | |
| 1.3 i.e. GT (156B.000) | -12/92 | Gasolina | FWD | 1301 | 57 | 78 | 06.89-10.95 | ■ | |
| FIAT | | | | | | | | | |
| ARGENTA (132_) 05.77-03.87 | | | | | Saloon (Large family car-D Segment) | | | | |
| 1600 i.e (132 D.000) | 01/83- | Gasolina | RWD | 1585 | 66 | 90 | 04.81-12.85 | ■ | |
| 1600 (132 D.000) | 01/83- | Gasolina | RWD | 1585 | 72 | 98 | 04.81-12.85 | ■ | |
| 2000 (132 C2.000) | 01/83- | Gasolina | RWD | 1995 | 83 | 113 | 06.78-12.85 | ■ | |
| 2000 (132 D1.000) | 01/83- | Gasolina | RWD | 1995 | 83 | 113 | 06.78-12.85 | ■ | |
| 2000 i.e. (132 C3.000) | 01/83- | Gasolina | RWD | 1995 | 90 | 122 | 06.81-07.86 | ■ | |
| 2000 Volumex (132 C3.000) | | Gasolina | RWD | 1995 | 99 | 135 | 06.84-07.85 | ■ | |
| 2500 Diesel (8144.61) | 01/83- | Diesel | RWD | 2445 | 53 | 72 | 06.81-11.85 | ■ | |
| 2500 Turbodiesel (8144.61.500.81) | | Diesel | RWD | 2445 | 66 | 90 | 07.83-08.85 | ■ | |
| BARCETTA (183_) 03.95-05.05 | | | | | Convertible (Sports car-S Segment) | | | | |
| 1.8 16V (183 A1.000) | -12/95 | Gasolina | FWD | 1747 | 96 | 130 | 04.95-05.05 | ■ | |
| 1.8 16V (188 A6.000) | -12/95 | Gasolina | FWD | 1747 | 96 | 130 | 04.95-05.05 | ■ | |
| CROMA (154_) 12.85-12.96 | | | | | Hatchback (Large family car-D Segment) | | | | |
| 2000 CHT (154 A1.000) | | Gasolina | FWD | 1995 | 74 | 100 | 01.91-09.92 | ■ | |
| 2000 CHT (154 C5.000) | | Gasolina | FWD | 1995 | 74 | 100 | 01.91-09.92 | ■ | |
| 2000 16V (154 E1.000) | 01/95- | Gasolina | FWD | 1995 | 101 | 137 | 08.92-08.96 | ■ | |
| 1900 Turbo D i.d. (154.LL, 154.PL) (154 C6.000) | 01/90- | Diesel | FWD | 1929 | 66 | 90 | 08.87-10.92 | ■ | |
| 1900 Turbo D i.d. (154 D1.000) | | Diesel | FWD | 1929 | 69 | 94 | 11.92-12.96 | ■ | |
| PALIO (178_, 171_, 371_) 04.96- | | | | | Hatchback (Supermini car-B Segment) | | | | |
| 1.7 D (176 B3.000) | | Diesel | FWD | 1698 | 42 | 57 | 04.96-09.02 | ■ | |
| PUNTO (176_) 04.94-06.00 | | | | | Convertible (Supermini car-B Segment) | | | | |
| 90 1.6 (176 A9.000) | | Gasolina | FWD | 1581 | 65 | 88 | 04.94-04.97 | ■ | |
| PUNTO (176_) 04.96-02.00 | | | | | Hatchback Van (LCVs-N1 Segment) | | | | |
| 1.7 D (176 B3.000) | -12/96 | Diesel | FWD | 1698 | 42 | 57 | 04.96-02.00 | ■ | |
| 1.7 TD (176 A5.000) | -12/96 | Diesel | FWD | 1698 | 52 | 71 | 04.96-02.00 | ■ | |

LISTA DE APLICACIONES - BUYERS GUIDE

| PUNTO (176_) 09.93-09.99 | | | | | Hatchback (Supermini car-B Segment) | | | |
|--|--------|----------|-----|------|--|-----|-------------|---|
| 55 1.1 (176 A6.000) | | Gasolina | FWD | 1108 | 40 | 54 | 09.93-09.99 | ■ |
| 55 1.1 (176 B2.000) | | Gasolina | FWD | 1108 | 40 | 54 | 09.93-09.99 | ■ |
| 60 1.2 (176 A7.000) | -12/96 | Gasolina | FWD | 1242 | 43 | 58 | 01.94-09.99 | ■ |
| 60 1.2 (176AP, 176AR, 176AQ, 176BB) (176 B1.000) | | Gasolina | FWD | 1242 | 44 | 60 | 09.93-09.99 | ■ |
| 60 1.2 (176AP, 176AR, 176AQ, 176BB) (176 B4.000) | | Gasolina | FWD | 1242 | 44 | 60 | 09.93-09.99 | ■ |
| 75 1.2 (176 A8.000) | | Gasolina | FWD | 1242 | 54 | 73 | 10.93-09.99 | ■ |
| 1.4 GT Turbo (176AS_) (176 B6.000) | | Gasolina | FWD | 1372 | 96 | 131 | 09.96-07.99 | ■ |
| 1.4 GT Turbo (176AD_) (176 A4.000) | | Gasolina | FWD | 1372 | 98 | 133 | 10.93-03.97 | ■ |
| 1.6 (176 A9.000) | | Gasolina | FWD | 1581 | 65 | 88 | 01.94-04.97 | ■ |
| 1.7 D (176 B3.000) | -12/96 | Diesel | FWD | 1698 | 42 | 57 | 04.94-09.97 | ■ |
| 1.7 TD (176AT) (176 B7.000) | -12/97 | Diesel | FWD | 1698 | 46 | 63 | 09.96-09.99 | ■ |
| 1.7 TD (176 A3.000) | | Diesel | FWD | 1698 | 51 | 69 | 01.94-09.99 | ■ |
| 1.7 TD (176 A5.000) | | Diesel | FWD | 1698 | 52 | 71 | 01.94-09.99 | ■ |
| REGATA (138_) 09.83-08.95 | | | | | Saloon (Compact car-C Segment) | | | |
| 1.1 60 L | 01/83- | Gasolina | FWD | 1090 | 40 | 55 | 09.83- | ■ |
| 70 1.3 (149 A3.000) | | Gasolina | FWD | 1301 | 48 | 65 | 09.83-07.89 | ■ |
| 70 1.3 (149 A7.000) | | Gasolina | FWD | 1301 | 48 | 65 | 09.83-07.89 | ■ |
| 70 1.3 (138 B2.000) | | Gasolina | FWD | 1301 | 50 | 68 | 09.83-07.86 | ■ |
| 75 1.5 (138 B3.048) | 01/84- | Gasolina | FWD | 1498 | 55 | 75 | 12.83-07.89 | ■ |
| 75 1.5 (138 C2.048) | 01/84- | Gasolina | FWD | 1498 | 55 | 75 | 12.83-07.89 | ■ |
| 75 1.5 (138 C3.048) | 01/84- | Gasolina | FWD | 1498 | 55 | 75 | 12.83-07.89 | ■ |
| 75 1.5 (149 C1.000) | 01/84- | Gasolina | FWD | 1498 | 55 | 75 | 12.83-07.89 | ■ |
| 75 i.e. 1.5 | | Gasolina | FWD | 1498 | 55 | 75 | 07.85-07.89 | ■ |
| 85 1.5 (149 A5.000) | | Gasolina | FWD | 1498 | 58 | 79 | 05.85-12.87 | ■ |
| 85 Super 1.5 (138 B3.000) | | Gasolina | FWD | 1498 | 60 | 82 | 09.83-04.85 | ■ |
| 85 1.5 (138 B3.000) | | Gasolina | FWD | 1498 | 63 | 86 | 02.84-08.86 | ■ |
| 85 1.6 (149 A.000) | 01/84- | Gasolina | FWD | 1585 | 60 | 82 | 10.83-06.90 | ■ |
| 100 Super 1.6 (149 C3.000) | | Gasolina | FWD | 1585 | 70 | 95 | 10.83-07.89 | ■ |
| 100 Super 1.6 (149 A2.000) | | Gasolina | FWD | 1585 | 74 | 101 | 10.83-12.90 | ■ |
| 100 Super 1.6 (149 A4.000) | | Gasolina | FWD | 1585 | 74 | 101 | 10.83-12.90 | ■ |
| 90 i.e. 1.6 (149 C2.000) | | Gasolina | FWD | 1595 | 66 | 90 | 01.87-07.89 | ■ |
| 60 Diesel 1.7 (149 B3.000) | | Diesel | FWD | 1698 | 44 | 60 | 05.85-03.89 | ■ |
| 60 Diesel 1.7 (138 B6.000) | | Diesel | FWD | 1714 | 43 | 58 | 09.83-12.86 | ■ |
| 65 Diesel 1.9 (149 A1.000) | | Diesel | FWD | 1929 | 48 | 65 | 04.84-07.89 | ■ |
| 80 Turbo Diesel 1.9 (831 D1.000) | | Diesel | FWD | 1929 | 59 | 80 | 05.86-07.89 | ■ |
| REGATA Weekend (138_) 06.83-08.95 | | | | | Estate (Compact car-C Segment) | | | |
| 70 1.3 (138 B2.000) | | Gasolina | FWD | 1301 | 50 | 68 | 01.84-07.89 | ■ |
| 75 1.5 (138 B3.048) | | Gasolina | FWD | 1498 | 55 | 75 | 09.84-07.89 | ■ |
| 75 1.5 (138 C2.048) | | Gasolina | FWD | 1498 | 55 | 75 | 09.84-07.89 | ■ |
| 75 1.5 (138 C3.048) | | Gasolina | FWD | 1498 | 55 | 75 | 09.84-07.89 | ■ |
| 75 1.5 (149 C1.000) | | Gasolina | FWD | 1498 | 55 | 75 | 09.84-07.89 | ■ |
| 75 1.5 i.e. Cat | | Gasolina | FWD | 1498 | 55 | 75 | 12.86-07.89 | ■ |
| 85 1.5 (138 B3.000) | | Gasolina | FWD | 1498 | 60 | 82 | 01.84-04.89 | ■ |
| 85 1.5 (138 B3.000) | | Gasolina | FWD | 1498 | 63 | 86 | 06.83-08.86 | ■ |
| 100 1.6 (RF) (149 A4.000) | | Gasolina | FWD | 1585 | 74 | 101 | 09.84-12.90 | ■ |
| 100 1.6 (RF) (149 C3.000) | | Gasolina | FWD | 1585 | 74 | 101 | 09.84-12.90 | ■ |
| 100 i.e. 1.6 | | Gasolina | FWD | 1585 | 74 | 101 | 01.87-12.90 | ■ |
| 90 i.e. 1.6 (149 C2.000) | | Gasolina | FWD | 1595 | 66 | 90 | 01.87-07.89 | ■ |

LISTA DE APLICACIONES - BUYERS GUIDE

| | | | | | | | | | |
|--|--------|-----------|-----|------|----|-----|--|---|--|
| 60 Diesel 1.7 (149 B3.000) | | Diesel | FWD | 1698 | 44 | 60 | 01.84-12.89 | ■ | |
| 65 Diesel 1.9 (149 A1.000) | | Diesel | FWD | 1929 | 48 | 65 | 04.84-07.89 | ■ | |
| 80 Turbo Diesel 1.9 (831 D1.000) | | Diesel | FWD | 1929 | 59 | 80 | 05.86-07.89 | ■ | |
| RITMO II / STRADA II (138A) 10.82-12.88 | | | | | | | Hatchback (Compact car-C Segment) | | |
| 75 1.5 | | Gasolina | FWD | 1498 | 55 | 75 | 09.85-12.88 | ■ | |
| 75 1.5 | | Gasolina | FWD | 1498 | 55 | 75 | 09.85-12.88 | ■ | |
| 105 1.6 | | Gasolina | FWD | 1585 | 77 | 105 | 01.83-12.87 | ■ | |
| 1.6 | | Gasolina | FWD | 1585 | 92 | 125 | 05.85-08.88 | ■ | |
| 60 Diesel 1.7 | | Diesel | RWD | 1714 | 43 | 58 | 10.82-10.85 | ■ | |
| RITMO / STRADA (138_) 01.78-12.88 | | | | | | | Hatchback (Compact car-C Segment) | | |
| 1.1 (138 B.000) | | Gasolina | FWD | 1116 | 40 | 55 | 10.82-12.87 | ■ | |
| 1.1 (138 B1.000) | | Gasolina | FWD | 1116 | 40 | 55 | 10.82-12.87 | ■ | |
| 1.1 (138 C1.000) | | Gasolina | FWD | 1116 | 40 | 55 | 10.82-12.87 | ■ | |
| 1.1 (146 A4.048) | | Gasolina | FWD | 1116 | 43 | 58 | 04.85-12.87 | ■ | |
| 1.3 | | Gasolina | FWD | 1301 | 48 | 65 | 11.83-08.85 | ■ | |
| 1.3 (138 B2.000) | | Gasolina | FWD | 1301 | 50 | 68 | 01.83-04.85 | ■ | |
| 1.5 | | Gasolina | FWD | 1498 | 55 | 75 | 10.85-05.87 | ■ | |
| 1.5 (149 A5.000) | | Gasolina | FWD | 1498 | 58 | 79 | 08.85-05.87 | ■ | |
| 1.5 (138 B3.000) | | Gasolina | FWD | 1498 | 60 | 82 | 01.83-12.87 | ■ | |
| 1.6 (138 AR.000) | | Gasolina | FWD | 1585 | 66 | 90 | 12.85-12.87 | ■ | |
| 1.6 (149 A4.000) | | Gasolina | FWD | 1585 | 74 | 100 | 01.83-12.87 | ■ | |
| 1.6 | | Gasolina | FWD | 1595 | 66 | 90 | 09.85-12.87 | ■ | |
| 125 TC Abarth 2.0 | | Gasolina | FWD | 1995 | 92 | 125 | 11.81-09.82 | ■ | |
| 1.7 Diesel (138 C.000) | | Diesel | FWD | 1698 | 44 | 60 | 05.85-12.87 | ■ | |
| 1.7 Diesel (149 B3.000) | | Diesel | FWD | 1698 | 44 | 60 | 05.85-12.87 | ■ | |
| 1.9 TD (831 D1.000) | 01/86- | Diesel | FWD | 1929 | 59 | 80 | 12.85-12.87 | ■ | |
| RITMO Bertone / STRADA (138_) 10.79-07.89 | | | | | | | Convertible (Compact car-C Segment) | | |
| 1.3 (138 A1.000) | | Gasolina | FWD | 1301 | 48 | 65 | 10.79-09.83 | ■ | |
| 50 1.3 (138 B2.000) | | Gasolina | FWD | 1302 | 50 | 68 | 10.85-12.87 | ■ | |
| 85 1.5 (138 B3.000) | | Gasolina | FWD | 1498 | 60 | 82 | 03.83-12.86 | ■ | |
| 85 1.5 (138 A4.000) | | Gasolina | FWD | 1498 | 63 | 86 | 01.80-07.89 | ■ | |
| 100 1.6 (138 AR.048) | | Gasolina | FWD | 1585 | 74 | 100 | 10.85-12.87 | ■ | |
| 100 1.6 (138 AR.000) | | Gasolina | FWD | 1585 | 77 | 105 | 10.85-12.87 | ■ | |
| 1.6 i TC, TC Sport | 01/83- | Gasolina | FWD | 1595 | 77 | 105 | 10.79- | ■ | |
| SEICENTO (287_) 01.98-01.10 | | | | | | | Hatchback Van (LCVs-N1 Segment) | | |
| Elettrica | | Eléctrico | FWD | | 22 | 30 | 03.00-04.04 | ■ | |
| SEICENTO (187_) 11.97-01.10 | | | | | | | Hatchback (City car-A Segment) | | |
| Elettrica | | Eléctrico | FWD | | 21 | 29 | 06.98-02.00 | ■ | |
| Elettrica (187BEA1A) (222 SE) | | Eléctrico | FWD | | 22 | 30 | 03.00-04.04 | ■ | |
| Elektra (187AEA1A, 187BEA1A) | | Eléctrico | FWD | | 30 | 41 | 01.99-01.05 | ■ | |
| TEMPRA (159_) 03.90-12.98 | | | | | | | Saloon (Large family car-D Segment) | | |
| 1.4 i.e. (159.AC, 159.AX) (159 A2.000) | | Gasolina | FWD | 1372 | 51 | 69 | 04.90-08.96 | ■ | |
| 1.4 i.e. (159.AC, 159.AX) (160 A1.046) | | Gasolina | FWD | 1372 | 51 | 69 | 04.90-08.96 | ■ | |
| 1.4 i.e. (159.AC, 159.AX) (836 A4.000) | | Gasolina | FWD | 1372 | 51 | 69 | 04.90-08.96 | ■ | |
| 1.4 i.e. (159.AA) (159 A2.000) | | Gasolina | FWD | 1372 | 57 | 78 | 03.91-08.96 | ■ | |
| 1.6 (159AS, 159AT) (159 A3.048) | | Gasolina | FWD | 1581 | 51 | 69 | 04.90-07.96 | ■ | |
| 1.6 i.e. (159.AS, 159.AT) (159 A3.048) | | Gasolina | FWD | 1581 | 55 | 75 | 06.92-08.96 | ■ | |
| 1.6 i.e. (159.AS, 159.AT) (835 C1.000) | | Gasolina | FWD | 1581 | 55 | 75 | 06.92-08.96 | ■ | |

LISTA DE APLICACIONES - BUYERS GUIDE

| | | | | | | | | |
|--|--------|----------|-----|------|-----|-----|--|---|
| 1.6 i.e. (159.AE) (159 A3.046) | | Gasolina | FWD | 1581 | 57 | 78 | 06.90-07.92 | ■ |
| 1.6 (159.AD) (159 A3.000) | | Gasolina | FWD | 1581 | 63 | 86 | 03.90-04.94 | ■ |
| 1.6 (159.AD) (159 B9.000) | | Gasolina | FWD | 1581 | 63 | 86 | 03.90-04.94 | ■ |
| 1.6 i.e. (159.AJ) (159 B9.000) | | Gasolina | FWD | 1581 | 63 | 87 | 06.94-08.96 | ■ |
| 1.6 i.e. (159.AJ) (159 B9.000) | | Gasolina | FWD | 1581 | 66 | 90 | 06.94-08.96 | ■ |
| 1.8 i.e. (159.AZ) (835 C4.000) | | Gasolina | FWD | 1756 | 66 | 90 | 09.93-08.96 | ■ |
| 1.8 | | Gasolina | FWD | 1756 | 71 | 97 | 07.94-12.98 | ■ |
| 1.8 i.e. (159.BY) (836 A5.000) | | Gasolina | FWD | 1756 | 74 | 101 | 10.94-08.96 | ■ |
| 1.8 i.e. (159.AV) (835 C2.000) | | Gasolina | FWD | 1756 | 76 | 103 | 09.93-08.96 | ■ |
| 1.8 i.e. (159.AN) (159 A4.046) | | Gasolina | FWD | 1756 | 77 | 105 | 03.92-08.96 | ■ |
| 1.8 i.e. (159.AN) (159 A4.000) | | Gasolina | FWD | 1756 | 81 | 110 | 03.90-08.96 | ■ |
| 2.0 | | Gasolina | FWD | 1995 | 71 | 99 | 11.92-04.94 | ■ |
| 2.0 | | Gasolina | FWD | 1995 | 76 | 103 | 05.94-12.98 | ■ |
| 2.0 (159 A6.046) | | Gasolina | FWD | 1995 | 80 | 109 | 04.90-06.93 | ■ |
| 2.0 (159 A6.046) | | Gasolina | FWD | 1995 | 81 | 110 | 05.94-12.98 | ■ |
| 2.0 i.e. (159.AP) (159 A6.046) | | Gasolina | FWD | 1995 | 83 | 113 | 10.90-09.96 | ■ |
| 2.0 16V | | Gasolina | FWD | 1995 | 97 | 132 | 01.94-06.98 | ■ |
| 2.0 Turbo | | Gasolina | FWD | 1995 | 121 | 165 | 11.94-05.98 | ■ |
| 2.0 | | Gasolina | FWD | 1998 | 93 | 126 | 10.95-12.98 | ■ |
| 1.9 D (159.AG) (149 A1.000) | | Diesel | FWD | 1929 | 48 | 65 | 07.91-08.96 | ■ |
| 1.9 D (159.AG) (160 A7.000) | | Diesel | FWD | 1929 | 48 | 65 | 07.91-08.96 | ■ |
| 1.9 TD (159.AQ) (160 B6.046) | | Diesel | FWD | 1929 | 59 | 80 | 07.92-08.96 | ■ |
| 1.9 TD (159.CU, 159.AU, 159.AI, 159.BI) (160 A6.000) | | Diesel | FWD | 1929 | 66 | 90 | 05.90-08.96 | ■ |
| 1.9 TD (159.CU, 159.AU, 159.AI, 159.BI) (160 D1.000) | | Diesel | FWD | 1929 | 66 | 90 | 05.90-08.96 | ■ |
| TEMPRA / MARENGO (159_) 04.90-07.96 | | | | | | | Estate Van (Large family car-D Segment) | |
| 1.4 (159AA) | | Gasolina | FWD | 1372 | 54 | 73 | 04.91-06.93 | ■ |
| 1.6 (159AE) | | Gasolina | FWD | 1581 | 57 | 77 | 04.91-06.93 | ■ |
| 1.9 D (159AG) | | Diesel | FWD | 1929 | 48 | 65 | 06.93-07.96 | ■ |
| 1.9 TD (159AI, 159BI) | | Diesel | FWD | 1929 | 66 | 90 | 04.90-07.96 | ■ |
| TEMPRA S.W (159_) 03.90-10.97 | | | | | | | Estate (Large family car-D Segment) | |
| 1.4 i.e. (159.AC, 159.AX) (159 A2.000) | | Gasolina | FWD | 1372 | 51 | 69 | 10.92-08.96 | ■ |
| 1.4 i.e. (159.AC, 159.AX) (160 A1.046) | | Gasolina | FWD | 1372 | 51 | 69 | 10.92-08.96 | ■ |
| 1.4 i.e. (159.AC, 159.AX) (836 A4.000) | | Gasolina | FWD | 1372 | 51 | 69 | 10.92-08.96 | ■ |
| 1.4 i.e. (159.AC) (159 A2.000) | | Gasolina | FWD | 1372 | 57 | 78 | 03.91-08.96 | ■ |
| 1.6 (159 A3.048) | | Gasolina | FWD | 1581 | 51 | 69 | 07.93-07.96 | ■ |
| 1.6 i.e. (159.AS, 159.AT) (159 A3.048) | | Gasolina | FWD | 1581 | 55 | 75 | 10.92-08.96 | ■ |
| 1.6 i.e. (159.AS, 159.AT) (835 C1.000) | | Gasolina | FWD | 1581 | 55 | 75 | 10.92-08.96 | ■ |
| 1.6 i.e. (159.AE) (159 A3.046) | -12/92 | Gasolina | FWD | 1581 | 57 | 78 | 10.90-08.96 | ■ |
| 1.6 i.e. (159.AE) (835 C1.000) | -12/92 | Gasolina | FWD | 1581 | 57 | 78 | 10.90-08.96 | ■ |
| 1.6 (159 A3.000) | | Gasolina | FWD | 1581 | 63 | 86 | 12.90-04.93 | ■ |
| 1.6 i.e. (159.AJ) (159 B9.000) | | Gasolina | FWD | 1581 | 66 | 90 | 06.94-08.96 | ■ |
| 1.8 i.e. (159.AZ) (835 C4.000) | | Gasolina | FWD | 1756 | 66 | 90 | 09.93-08.96 | ■ |
| 1.8 i.e. (159.BY) (836 A5.000) | | Gasolina | FWD | 1756 | 74 | 101 | 10.94-08.96 | ■ |
| 1.8 i.e. (159.AV) (835 C2.000) | | Gasolina | FWD | 1756 | 76 | 103 | 09.93-08.96 | ■ |
| 1.8 i.e. (159.AN) (159 A4.046) | | Gasolina | FWD | 1756 | 77 | 105 | 03.92-12.93 | ■ |
| 1.8 | | Gasolina | FWD | 1756 | 80 | 109 | 07.92-06.93 | ■ |
| 1.8 i.e. (159.AM) (159 A4.000) | | Gasolina | FWD | 1756 | 81 | 110 | 03.90-08.96 | ■ |
| 2.0 (159 A6.046) | | Gasolina | FWD | 1995 | 80 | 109 | 04.91-06.93 | ■ |
| 2.0 | | Gasolina | FWD | 1995 | 81 | 110 | 03.95-12.96 | ■ |
| 2.0 i.e. (159.AP) (159 A6.046) | | Gasolina | FWD | 1995 | 83 | 113 | 01.91-03.95 | ■ |

LISTA DE APLICACIONES - BUYERS GUIDE

| | | | | | | | | | |
|--|---------|----------|-----|------|-----|-----|--|---|--|
| 2.0 i.e. 4x4 (159.AP) (159 A6.046) | | Gasolina | 4WD | 1995 | 83 | 113 | 03.92-03.95 | ■ | |
| 1.9 D (159.AG) (149 A1.000) | | Diesel | FWD | 1929 | 48 | 65 | 07.91-08.96 | ■ | |
| 1.9 D (159.AG) (160 A7.000) | | Diesel | FWD | 1929 | 48 | 65 | 07.91-08.96 | ■ | |
| 1.9 TD (159.AQ) (160 B6.046) | | Diesel | FWD | 1929 | 59 | 80 | 03.92-06.93 | ■ | |
| 1.9 TD (159.AI, 159.BI, 159.CU, 159.AU) (160 A6.000) | | Diesel | FWD | 1929 | 66 | 90 | 07.91-02.95 | ■ | |
| 1.9 TD (159.AI, 159.BI, 159.CU, 159.AU) (160 D1.000) | | Diesel | FWD | 1929 | 66 | 90 | 07.91-02.95 | ■ | |
| TIPO (160_) 07.87-10.97 | | | | | | | Hatchback (Compact car-C Segment) | | |
| 1.4 i.e. (160.AP, 160.AD, 160.EA) (160 A1.046) | -12/92 | Gasolina | FWD | 1372 | 51 | 70 | 05.89-04.95 | ■ | |
| 1.4 i.e. (160.AP, 160.AD, 160.EA) (160 A1.048) | -12/92 | Gasolina | FWD | 1372 | 51 | 70 | 05.89-04.95 | ■ | |
| 1.4 i.e. (160.AP, 160.AD, 160.EA) (836 A4.000) | -12/92 | Gasolina | FWD | 1372 | 51 | 70 | 05.89-04.95 | ■ | |
| 1.4 (160.AC) (160 A1.000) | 01/88- | Gasolina | FWD | 1372 | 52 | 71 | 07.87-12.89 | ■ | |
| 1.4 (160.AC) (160 A1.048) | 01/88- | Gasolina | FWD | 1372 | 52 | 71 | 07.87-12.89 | ■ | |
| 1.4 i.e. (159 A2.000) | | Gasolina | FWD | 1372 | 57 | 78 | 05.89-04.95 | ■ | |
| 1.6 i.e. (160.A1, 160.EC, 160.EB) (159 A3.048) | -12/92 | Gasolina | FWD | 1581 | 55 | 75 | 10.92-04.95 | ■ | |
| 1.6 i.e. (160.A1, 160.EC, 160.EB) (835 C1.000) | -12/92 | Gasolina | FWD | 1581 | 55 | 75 | 10.92-04.95 | ■ | |
| 1.6 i.e. (160.AF) (159 A3.046) | | Gasolina | FWD | 1581 | 57 | 78 | 07.90-01.93 | ■ | |
| 1.6 (160 A2.000) | | Gasolina | FWD | 1581 | 58 | 79 | 03.88-10.92 | ■ | |
| 1.6 (160.AE) (160 A2.000) | | Gasolina | FWD | 1581 | 61 | 83 | 01.88-10.91 | ■ | |
| 1.6 SX DGT (159 A3.000) | for ABS | Gasolina | FWD | 1581 | 66 | 90 | 05.89-10.95 | ■ | |
| 1.6 i.e. (149 C2.046) | | Gasolina | FWD | 1595 | 66 | 90 | 02.88-05.91 | ■ | |
| 1.8 i.e. (835 C4.000) | | Gasolina | FWD | 1756 | 66 | 90 | 09.93-04.95 | ■ | |
| 1.8 i.e. (836 A5.000) | | Gasolina | FWD | 1756 | 71 | 97 | 03.93-04.95 | ■ | |
| 1.8 i.e. (160.EQ, 160.AM) (159 A4.000) | | Gasolina | FWD | 1756 | 74 | 101 | 10.94-10.95 | ■ | |
| 1.8 i.e. (160.EQ, 160.AM) (836 A5.000) | | Gasolina | FWD | 1756 | 74 | 101 | 10.94-10.95 | ■ | |
| 1.8 i.e. (160.ED) (835 C2.000) | | Gasolina | FWD | 1756 | 76 | 103 | 04.93-04.95 | ■ | |
| 1.8 i.e. (160.AY) (159 A4.046) | | Gasolina | FWD | 1756 | 77 | 105 | 10.90-06.93 | ■ | |
| 1.8 i.e. (159 A4.000) | | Gasolina | FWD | 1756 | 81 | 110 | 10.90-06.93 | ■ | |
| 1.8 i.e. 16V Sport (160 A5.000) | 01/92- | Gasolina | FWD | 1756 | 100 | 136 | 11.89-06.92 | ■ | |
| 2.0 i.e. (160.AJ, 1607571) (159 A5.046) | | Gasolina | FWD | 1995 | 80 | 109 | 06.90-03.92 | ■ | |
| 2.0 i.e. (160.AT, 160.AJ) (159 A6.046) | | Gasolina | FWD | 1995 | 83 | 113 | 03.90-04.95 | ■ | |
| 2.0 (159 A5.046) | | Gasolina | FWD | 1995 | 85 | 116 | 10.90-10.92 | ■ | |
| 2.0 (159 A6.046) | | Gasolina | FWD | 1995 | 85 | 116 | 10.90-10.92 | ■ | |
| 1.7 D (160.AG) (149 B4.000) | | Diesel | FWD | 1697 | 43 | 58 | 01.88-10.94 | ■ | |
| 1.7 D (160.AG) (149 B4.000) | 01/92- | Diesel | FWD | 1697 | 45 | 61 | 01.88-10.95 | ■ | |
| 1.9 D (149 A1.000) | | Diesel | FWD | 1929 | 48 | 65 | 07.91-08.95 | ■ | |
| 1.9 D (160 A7.000) | | Diesel | FWD | 1929 | 48 | 65 | 07.91-08.95 | ■ | |
| 1.9 TD (160.AW) (160 B6.046) | | Diesel | FWD | 1929 | 59 | 80 | 03.92-06.93 | ■ | |
| 1.9 TD (160.EL, 160.GL, 160.AQ, 160.EI, 160.AR) (160 A6.000) | | Diesel | FWD | 1929 | 66 | 90 | 09.90-04.95 | ■ | |
| 1.9 TD (160.EL, 160.GL, 160.AQ, 160.EI, 160.AR) (160 A6.046) | | Diesel | FWD | 1929 | 66 | 90 | 09.90-04.95 | ■ | |
| 1.9 TD (160.EL, 160.GL, 160.AQ, 160.EI, 160.AR) (160 D1.000) | | Diesel | FWD | 1929 | 66 | 90 | 09.90-04.95 | ■ | |
| 1.9 TD (160AR) (160 A6.046) | | Diesel | FWD | 1929 | 69 | 94 | 04.90-10.92 | ■ | |
| UNO I-IV (146_, 158_) 01.83-12.13 | | | | | | | Hatchback (Supermini car-B Segment) | | |
| 50 1.1 (156 C.046) | -12/90 | Gasolina | FWD | 1108 | 37 | 50 | 01.90-12.93 | ■ | |
| 60 1.1 (160 A3.000) | -12/90 | Gasolina | FWD | 1108 | 42 | 57 | 04.89-12.92 | ■ | |
| 50 1.1 (146 A4.044) | | Gasolina | FWD | 1116 | 37 | 50 | 01.86-12.89 | ■ | |
| 55 1.1 (138 B.000) | | Gasolina | FWD | 1116 | 40 | 54 | 01.83-08.89 | ■ | |
| 60 1.1 (146A.EG) (146 A4.048) | | Gasolina | FWD | 1116 | 43 | 58 | 05.85-08.89 | ■ | |
| 1.3 Turbo i.e. (146 A2.146) | | Gasolina | FWD | 1301 | 73 | 99 | 01.87-12.87 | ■ | |

LISTA DE APLICACIONES - BUYERS GUIDE

| | | | | | | | | |
|---------------------------------------|--------|----------|-----|--|----|-----|-------------|---|
| 1.3 Turbo i.e. (146 A2.246) | | Gasolina | FWD | 1301 | 74 | 101 | 09.89-03.91 | ■ |
| 1.3 Turbo i.e. (146 A2.000) | | Gasolina | FWD | 1301 | 77 | 105 | 04.85-08.89 | ■ |
| 70 1.3 (149 A7.000) | -12/85 | Gasolina | FWD | 1302 | 48 | 65 | 05.85-08.89 | ■ |
| 70 1.3 (138 B2.000) | | Gasolina | FWD | 1302 | 50 | 68 | 01.83-04.85 | ■ |
| 1.4 Turbo i.e. (146 A8.046) | | Gasolina | FWD | 1372 | 82 | 112 | 09.89-09.93 | ■ |
| 1.4 Turbo i.e. (146 A8.000) | | Gasolina | FWD | 1372 | 87 | 118 | 12.89-12.96 | ■ |
| 75 i.e. 1.5 (138 C2.048) | -12/90 | Gasolina | FWD | 1498 | 55 | 75 | 10.85-12.93 | ■ |
| 75 i.e. 1.5 (149 C1.000) | -12/90 | Gasolina | FWD | 1498 | 55 | 75 | 10.85-12.93 | ■ |
| 1.9 SX Turbo, Turbo GT | 01/89- | Gasolina | FWD | 1895 | 87 | 118 | 01.83- | ■ |
| 1.3 Super Diesel (127 A5.000) | 01/84- | Diesel | FWD | 1302 | 33 | 45 | 06.83-03.92 | ■ |
| 1.3 Super Diesel (146 B1.000) | 01/84- | Diesel | FWD | 1302 | 33 | 45 | 06.83-03.92 | ■ |
| 60 Diesel 1.7 (149 B3.000) | | Diesel | FWD | 1698 | 44 | 60 | 07.86-08.89 | ■ |
| LANCIA | | | | | | | | |
| DEDRA (835_) 01.89-07.99 | | | | Saloon (Large family car-D Segment) | | | | |
| 1.6 i.e. (835AN) (835 C1.000) | | Gasolina | FWD | 1581 | 55 | 75 | 04.93-07.99 | ■ |
| 1.6 i.e. (835AB) (835 A1.046) | | Gasolina | FWD | 1581 | 57 | 78 | 08.89-03.93 | ■ |
| 1.6 i.e. (835AA) (835 A1.000) | | Gasolina | FWD | 1581 | 66 | 90 | 08.89-06.94 | ■ |
| 1.6 LE Cat (835EB) (159 B9.000) | | Gasolina | FWD | 1581 | 66 | 90 | 07.94-07.99 | ■ |
| 1.8 i.e. (835AT) (835 C5.000) | | Gasolina | FWD | 1756 | 66 | 90 | 08.93-07.99 | ■ |
| 1.8 i.e. (835FA) (836 A5.000) | | Gasolina | FWD | 1756 | 74 | 101 | 07.94-07.99 | ■ |
| 1.8 i.e. (835BD, 835AD) (835 A2.046) | -12/94 | Gasolina | FWD | 1756 | 77 | 105 | 09.89-07.99 | ■ |
| 1.8 i.e. (835AC, 835BC) (835 A2.000) | | Gasolina | FWD | 1756 | 80 | 109 | 09.89-06.94 | ■ |
| 2.0 i.e. (835AL) (835 A5.046) | | Gasolina | FWD | 1995 | 83 | 113 | 09.89-07.99 | ■ |
| 2.0 i.e. (835AI) (835 A5.000) | | Gasolina | FWD | 1995 | 86 | 117 | 09.89-07.92 | ■ |
| 1.9 TDS (835EE, 835EF) (160 D1.000) | -12/95 | Diesel | FWD | 1929 | 66 | 90 | 04.89-07.99 | ■ |
| 1.9 TDS (835EE, 835EF) (835 A4.000) | -12/95 | Diesel | FWD | 1929 | 66 | 90 | 04.89-07.99 | ■ |
| 1.9 TDS (835EE, 835EF) (835 A4.046) | -12/95 | Diesel | FWD | 1929 | 66 | 90 | 04.89-07.99 | ■ |
| DEDRA SW (835_) 07.94-07.99 | | | | Estate (Large family car-D Segment) | | | | |
| 1.6 (835EB) (159 B9.000) | | Gasolina | FWD | 1581 | 66 | 90 | 10.94-07.99 | ■ |
| 1.8 i.e. (835FA) (836 A5.000) | | Gasolina | FWD | 1756 | 74 | 101 | 07.94-07.99 | ■ |
| 1.9 TDS (835EE, 835EF) (160 D1.000) | -12/95 | Diesel | FWD | 1929 | 66 | 90 | 07.94-07.99 | ■ |
| 1.9 TDS (835EE, 835EF) (835 A4.000) | -12/95 | Diesel | FWD | 1929 | 66 | 90 | 07.94-07.99 | ■ |
| DELTA (831_) 09.79-01.94 | | | | Hatchback (Compact car-C Segment) | | | | |
| 1.6 GT (831AB.06) (831 A4.000) | -12/85 | Gasolina | FWD | 1585 | 77 | 105 | 11.82-04.86 | ■ |
| 1.9 Turbo DS (831AB.021) (831 D1.000) | | Diesel | FWD | 1929 | 59 | 80 | 10.86-12.89 | ■ |
| DELTA II (836_) 06.93-09.99 | | | | Hatchback (Compact car-C Segment) | | | | |
| 1.4 i.e. (836AF, 836AH) (160 A1.046) | | Gasolina | FWD | 1372 | 51 | 69 | 10.94-08.99 | ■ |
| 1.4 i.e. (836AF, 836AH) (836 A4.000) | | Gasolina | FWD | 1372 | 51 | 69 | 10.94-08.99 | ■ |
| 1.6 i.e. (836AD) (835 C1.000) | -12/96 | Gasolina | FWD | 1581 | 55 | 75 | 06.93-08.99 | ■ |
| 1.8 | | Gasolina | FWD | 1747 | 66 | 90 | 02.96-09.99 | ■ |
| 1.8 i.e. (836AG, 836AL) (835 C4.000) | | Gasolina | FWD | 1756 | 66 | 90 | 07.94-08.99 | ■ |
| 1.8 i.e. (836AG, 836AL) (836 A6.000) | | Gasolina | FWD | 1756 | 66 | 90 | 07.94-08.99 | ■ |
| 1.8 i.e. (836AG, 836AL) (836 C4.000) | | Gasolina | FWD | 1756 | 66 | 90 | 07.94-08.99 | ■ |
| 1.8 i.e. (836AE) (835 C2.000) | | Gasolina | FWD | 1756 | 76 | 103 | 06.93-08.99 | ■ |
| 1.9 TD (836AM, 836AN) (160 D1.000) | -12/96 | Diesel | FWD | 1929 | 66 | 90 | 10.94-08.99 | ■ |
| 1.9 TD (836AM, 836AN) (835 A4.000) | -12/96 | Diesel | FWD | 1929 | 66 | 90 | 10.94-08.99 | ■ |
| THEMA (834_) 11.84-07.94 | | | | Saloon (Executive car-E Segment) | | | | |
| 2000 i.e. (834AB) (834 B.048) | 01/87- | Gasolina | FWD | 1995 | 83 | 113 | 03.86-09.88 | ■ |
| 2000 i.e. (834BV) (834 B.146) | | Gasolina | FWD | 1995 | 85 | 115 | 09.87-05.92 | ■ |

LISTA DE APLICACIONES - BUYERS GUIDE

| | | | | | | | | | |
|--|--------|----------|-----|------|---|-----|-------------|---|--|
| 2000 i.e (834AB) (834 B1.000) | | Gasolina | FWD | 1995 | 86 | 117 | 09.88-05.92 | ■ | |
| 2000 i.e. (834B) (834 B.000) | 01/87- | Gasolina | FWD | 1995 | 88 | 120 | 11.84-09.88 | ■ | |
| 2000 i.e. 16V (834AI) (834 B2.246) | | Gasolina | FWD | 1995 | 104 | 141 | 02.89-05.92 | ■ | |
| 2000 i.e. 16V (834AA) (834 B2.000) | | Gasolina | FWD | 1995 | 108 | 147 | 05.88-08.92 | ■ | |
| THEMA SW (834_) 03.87-07.94 | | | | | Estate (Executive car-E Segment) | | | | |
| 2000 i.e. 16V (834AI) (834 B2.246) | | Gasolina | FWD | 1995 | 104 | 141 | 02.89-05.92 | ■ | |
| 2000 i.e. 16V (834AA) (834 B2.000) | | Gasolina | FWD | 1995 | 108 | 147 | 05.89-08.92 | ■ | |
| Y (840_) 11.95-09.03 | | | | | Hatchback (Supermini car-B Segment) | | | | |
| 1.1 (840AE) (176 B2.000) | -12/96 | Gasolina | FWD | 1108 | 40 | 54 | 11.95-09.03 | ■ | |
| 1.2 (840AA, 840AF1A) (188 A4.000) | -12/97 | Gasolina | FWD | 1242 | 44 | 60 | 03.96-09.03 | ■ | |
| 1.2 (840AA, 840AF1A) (840 A3.000) | -12/97 | Gasolina | FWD | 1242 | 44 | 60 | 03.96-09.03 | ■ | |
| 1.2 16V (840AD) (176 B9.000) | -12/97 | Gasolina | FWD | 1242 | 63 | 86 | 04.97-09.03 | ■ | |
| 1.4 12V (840AC) (840 A4.000) | -12/97 | Gasolina | FWD | 1370 | 55 | 75 | 03.96-09.03 | ■ | |
| 1.4 12V (840AB) (840 A2.000) | -12/97 | Gasolina | FWD | 1370 | 59 | 80 | 10.96-09.03 | ■ | |
| Y10 (156_) 03.85-12.95 | | | | | Hatchback (City car-A Segment) | | | | |
| 1.0 Fire A las 4 ruedas (156AE) (156 A2.100) | | Gasolina | 4WD | 999 | 32 | 44 | 12.86-02.89 | ■ | |
| 1.1 i.e. Fire (156AG) (156 C.046) | | Gasolina | FWD | 1108 | 37 | 50 | 07.89-09.95 | ■ | |
| 1.1 i.e. Fire A las 4 ruedas (156AG) (156 C.046) | | Gasolina | 4WD | 1108 | 37 | 50 | 09.92-12.95 | ■ | |
| 1.1 Fire (156AG) (176 B2.000) | | Gasolina | FWD | 1108 | 40 | 54 | 01.95-12.95 | ■ | |
| 1.1 Fire A las 4 ruedas (156AG) (176 B2.000) | | Gasolina | 4WD | 1108 | 40 | 54 | 01.95-12.95 | ■ | |
| 1.1 i.e Fire (156AC) (156 C.000) | | Gasolina | FWD | 1108 | 42 | 57 | 08.89-06.92 | ■ | |
| 1.1 i.e Fire A las 4 ruedas (156AC) (156 C.000) | | Gasolina | 4WD | 1108 | 42 | 57 | 08.89-06.92 | ■ | |
| 1.3 i.e. (156AF) (146 A 5.046) | | Gasolina | FWD | 1297 | 53 | 72 | 02.89-12.95 | ■ | |
| 1.3 i.e. (156AF) (156 B.000) | | Gasolina | FWD | 1297 | 53 | 72 | 02.89-12.95 | ■ | |
| 1.3 i.e. (156AB) (156 B.000) | | Gasolina | FWD | 1301 | 56 | 76 | 11.87-05.93 | ■ | |
| LEXUS | | | | | | | | | |
| NX (_Z1_) 07.14- | | | | | SUV (Luxury Crossover SUV-J Segment) | | | | |
| 200t AWD (AGZ15_) (8AR-FTS) | | Gasolina | 4WD | 1998 | 173 | 235 | 07.14-09.17 | ■ | |
| PININFARINA | | | | | | | | | |
| SPIDEREUROPA (P124DS) 03.82-11.85 | | | | | Convertible (Large family car-D Segment) | | | | |
| 2000 (132 C3.031) | 01/85- | Gasolina | RWD | 1995 | 76 | 103 | 11.84-11.85 | ■ | |
| 2000 (132 C3.031) | | Gasolina | RWD | 1995 | 77 | 105 | 03.82-09.85 | ■ | |
| 2000 Volumex (232R14) | | Gasolina | RWD | 1995 | 99 | 135 | 06.83-11.85 | ■ | |