

LISTA DE APLICACIONES - BUYERS GUIDE

180417

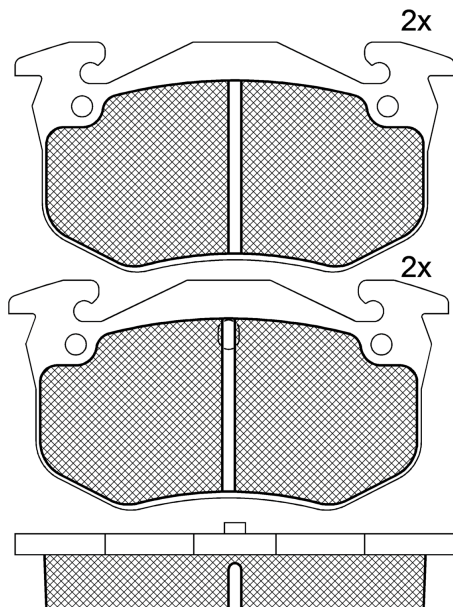


8 424073 008428

Qty: 300

Weight: 1.115

O.E.M.	MAKE
60 00 008 125	ALPINE
60 00 008 304	ALPINE
77 01 170 172	ALPINE
86 60 004 651	RENAULT
86 71 016 562	RENAULT
95 589 273	CITROËN
95 620 859	CITROËN
95 624 484	CITROËN



1-Ref. 610265

180417



Bendix

105x54.87x18

WVA	FMSI
20635	D1220-8341
20636	
20790	
20859	
20860	

MAKE
ALPINE
CITROËN



Trac.	CC	Kw	CV
-------	----	----	----



Front / Rear

ALPINE

A310 01.71-12.84						Coupe (Sports car-S Segment)			
2.7 V6	01/80-	Gasolina	RWD	2664	110	150	01.76-12.84		■
V6 01.85-03.92						Coupe (Sports car-S Segment)			
TURBO (Z7U 734)		Gasolina	RWD	2458	136	185	01.85-12.90		■
TURBO (Z7U 730)		Gasolina	RWD	2458	147	200	01.88-12.90		■
GT (Z6W 700)		Gasolina	RWD	2849	116	158	01.85-12.90		■

CITROËN

BX (XB-_) 04.83-12.94						Estate (Large family car-D Segment)			
1.4 (K1F)		Gasolina	FWD	1360	44	60	01.87-01.92		■
14 (K1H (TU3A))		Gasolina	FWD	1360	47	64	01.89-12.89		■
1.4 (150C)		Gasolina	FWD	1360	52	71	01.87-01.92		■
14 (150C)		Gasolina	FWD	1360	53	72	01.86-02.93		■
14 (KDY (TU3M))		Gasolina	FWD	1360	55	75	01.89-02.93		■
16 (B1E (XU51C))		Gasolina	FWD	1580	53	72	09.88-12.94		■
16 (BAY (XU5CP))		Gasolina	FWD	1580	55	75	09.88-12.94		■
16 (BAZ (XU5CP))		Gasolina	FWD	1580	55	75	09.88-12.94		■
15 (B1E (XU51C))		Gasolina	FWD	1580	59	80	10.87-05.92		■
16 (171D)		Gasolina	FWD	1580	64	87	07.85-12.94		■
16 (BDY (XU5M))		Gasolina	FWD	1580	65	88	05.89-12.94		■
16 (BDZ (XU5M))		Gasolina	FWD	1580	65	88	05.89-12.94		■
16 (171A)		Gasolina	FWD	1580	66	90	06.85-06.88		■
16 (171B)		Gasolina	FWD	1580	66	90	06.85-06.88		■
16 (171C)		Gasolina	FWD	1580	66	90	06.85-06.88		■

LISTA DE APLICACIONES - BUYERS GUIDE

16 (171C)		Gasolina	FWD	1580	68	92	04.83-01.92	■
16 (XB180Z) (180Z)		Gasolina	FWD	1580	76	103	03.86-12.94	■
1.6 (B6D)		Gasolina	FWD	1580	85	116	01.87-01.92	■
1.6 (B6E)		Gasolina	FWD	1580	85	116	01.87-01.92	■
19 (D2C (XU92C))		Gasolina	FWD	1905	70	95	12.87-12.89	■
19 (D2A (XU92C))		Gasolina	FWD	1905	75	102	07.86-12.94	■
19 Cat (DFZ (XU9J1))		Gasolina	FWD	1905	75	102	07.86-12.94	■
19 (DDZ (XU9M))		Gasolina	FWD	1905	80	109	06.88-12.94	■
19 4x4 (DDZ (XU9M))		Gasolina	4WD	1905	80	109	10.90-05.91	■
19 (DKZ (XU9JA))		Gasolina	FWD	1905	88	120	06.88-12.94	■
1.9 GTI		Gasolina	FWD	1905	92	125	02.92-06.94	■
1.9 TZi (D6A (XU9J2))		Gasolina	FWD	1905	92	125	02.92-12.94	■
TRD Turbo (A8A (XUD7TE))		Diesel	FWD	1769	66	90	03.88-12.94	■
TRD Turbo (AJZ (XUD7TE))		Diesel	FWD	1769	66	90	03.88-12.94	■
19 D (162 (XUD9))	-12/87	Diesel	FWD	1905	47	64	09.83-11.94	■
19 D (D9A (XUD9))	-12/87	Diesel	FWD	1905	47	64	09.83-11.94	■
19 D (DJZ (XUD9A))	-12/87	Diesel	FWD	1905	47	64	09.83-11.94	■
19 D (D9B (XUD9A/U))		Diesel	FWD	1905	51	69	03.87-12.94	■
1.9 D (D9B (XUD9A/L))		Diesel	FWD	1905	52	71	01.87-01.92	■
1.9 DT TXD		Diesel	FWD	1905	66	90	02.92-12.94	■
BX (XB-_) 10.82-12.94							Hatchback (Large family car-D Segment)	
11 (HDZ (TU1M))		Gasolina	FWD	1124	40	55	10.88-06.92	■
11 (H1A)		Gasolina	FWD	1124	42	57	10.86-06.92	■
14 E (150A)		Gasolina	FWD	1360	45	61	10.82-06.88	■
14 (K1H (TU3A))		Gasolina	FWD	1360	47	64	01.89-12.89	■
14 E (150F)		Gasolina	FWD	1360	49	67	09.85-02.93	■
14 E (150C)		Gasolina	FWD	1360	52	71	04.83-07.89	■
14 E (K1G)		Gasolina	FWD	1360	52	71	04.83-07.89	■
14 E (150C)		Gasolina	FWD	1360	53	72	04.83-02.93	■
14 (KDY (TU3M))		Gasolina	FWD	1360	55	75	01.89-02.93	■
14 (KDZ (TU3M/Z))		Gasolina	FWD	1360	55	75	01.89-02.93	■
14 E		Gasolina	FWD	1360	59	80	10.85-05.89	■
16 (B1E (XU51C))		Gasolina	FWD	1580	53	72	01.87-02.93	■
16 (BAY (XU5CP))		Gasolina	FWD	1580	55	75	09.88-02.93	■
16 (BAZ (XU5CP))		Gasolina	FWD	1580	55	75	09.88-02.93	■
16 (B1A (XU51C/K))		Gasolina	FWD	1580	58	79	09.87-02.93	■
15 (B1E (XU51C))		Gasolina	FWD	1580	59	80	10.87-05.92	■
16 (171D)		Gasolina	FWD	1580	64	87	07.85-02.93	■
16 E (BDY (XU5M))		Gasolina	FWD	1580	65	88	05.89-02.93	■
16 E (BDZ (XU5M))		Gasolina	FWD	1580	65	88	05.89-02.93	■
16 (171A)		Gasolina	FWD	1580	66	90	10.82-06.88	■
16 (171B)		Gasolina	FWD	1580	66	90	10.82-06.88	■
16 (171C)		Gasolina	FWD	1580	66	90	10.82-06.88	■
16 (XU52C)		Gasolina	FWD	1580	68	92	10.82-12.92	■
16 (XB180Z) (180Z)		Gasolina	FWD	1580	76	103	03.86-02.93	■
1.6 (B6D)		Gasolina	FWD	1580	85	116	01.87-01.92	■
1.6 (B6E)		Gasolina	FWD	1580	85	116	01.87-01.92	■
19 (D2C (XU92C))		Gasolina	FWD	1905	70	95	09.86-11.89	■
19 (159A)		Gasolina	FWD	1905	75	102	07.86-05.89	■
19 (D2A (XU92C))		Gasolina	FWD	1905	77	105	07.86-05.89	■
19 E (DDZ (XU9M))		Gasolina	FWD	1905	80	109	06.88-02.93	■

LISTA DE APLICACIONES - BUYERS GUIDE

19 E 4x4 (D2F)	Gasolina	4WD	1905	80	109	04.89-02.93	■
19 GTi (DKZ (XU9JA))	Gasolina	FWD	1905	88	120	06.88-02.93	■
19 GTi 4x4 (DKZ (XU9JA))	Gasolina	4WD	1905	88	120	06.88-02.93	■
19 GTi (D6A (XU9J2))	Gasolina	FWD	1905	90	122	07.86-02.93	■
1.9 (D6A (XU9J2))	Gasolina	FWD	1905	92	125	10.85-06.94	■
1.9 A las 4 ruedas	Gasolina	4WD	1905	92	125	02.92-06.94	■
19 GTi 16V (DFW (XU9J4))	Gasolina	FWD	1905	108	147	03.88-02.93	■
19 GTi 16V (D6C (XU9J4))	Gasolina	FWD	1905	116	158	09.87-12.88	■
1.9 GTI	Gasolina	FWD	1905	117	159	01.90-01.92	■
1.8 D (161 (XUD7))	Diesel	FWD	1769	44	60	10.85-09.93	■
TRD Turbo (A8A (XUD7TE))	Diesel	FWD	1769	66	90	03.88-02.93	■
TRD Turbo (AJZ (XUD7TE))	Diesel	FWD	1769	66	90	03.88-02.93	■
19 D (162 (XUD9))	Diesel	FWD	1905	47	64	09.83-09.93	■
19 D (D9A (XUD9))	Diesel	FWD	1905	47	64	09.83-09.93	■
19 D (DJZ (XUD9A))	Diesel	FWD	1905	47	64	09.83-09.93	■
19 D (D9B (XUD9A/U))	Diesel	FWD	1905	51	69	03.87-02.93	■
1.9 RD 4x4	Diesel	4WD	1905	52	71	01.87-01.92	■
BX Van (XB-_) 09.82-01.92						Hatchback Van (Large family car-D Segment)	
1.4 (150A)	Gasolina	FWD	1360	45	61	09.82-01.92	■
1.4 (150B (XY8))	Gasolina	FWD	1360	59	80	09.82-12.86	■
VISA 09.78-03.91						Hatchback (Supermini car-B Segment)	
17 D (161A (XUD7))	Diesel	FWD	1769	44	60	04.84-03.91	■