

LISTA DE APLICACIONES - BUYERS GUIDE

180419-203

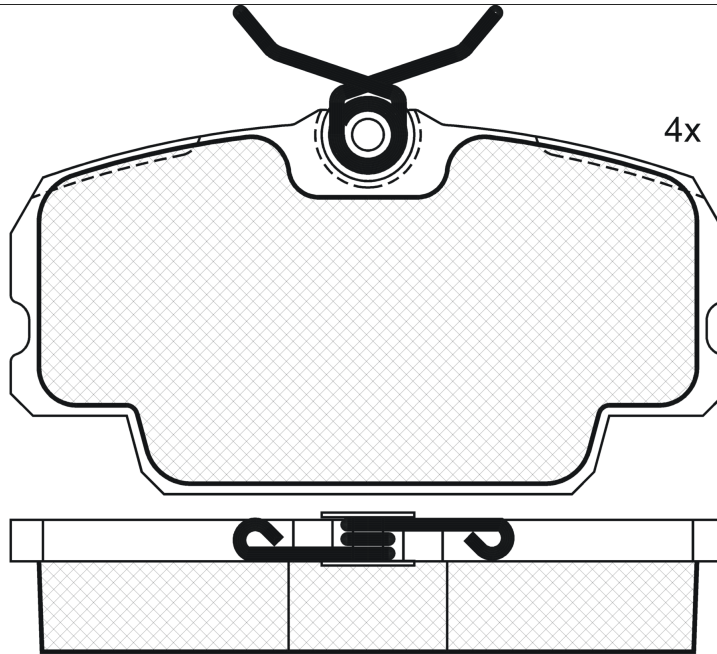


8 424073 089236

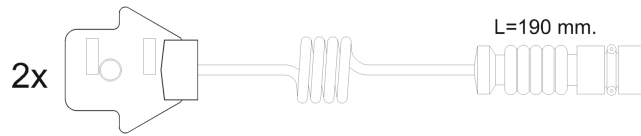
Qty: 300

Weight: 1.133

O.E.M.	MAKE
001 420 10 20	MERCEDES-BENZ



4x



2x

L=190 mm.

1 - Ref. 610257 E

180419-203



Lucas - Girling

95x51.1x17.5

WVA

20748

20749

20890

20891

MAKE

MERCEDES-BENZ



Trac.	CC	Kw	CV
-------	----	----	----



Front / Rear

MERCEDES-BENZ

190 (W201) 10.82-08.93

Saloon (Compact executive car-D Segment)

2.0 (201.022) (M 102.921)		Gasolina	RWD	1996	66	90	10.82-10.84	■
2.0 (201.023) (M 102.924)	-12/86	Gasolina	RWD	1996	77	105	08.83-05.90	■
E 2.0 (201.024) (M 102.961)	-12/86	Gasolina	RWD	1996	90	122	10.82-06.93	■
E 2.0 (201.024) (M 102.962)	-12/86	Gasolina	RWD	1996	90	122	10.82-06.93	■
E 2.0 (201.024) (M 102.961)	-12/86	Gasolina	RWD	1996	93	126	10.82-06.93	■
E 2.3-16 (201.034) (M 102.983)	-12/85	Gasolina	RWD	2298	136	185	04.84-01.87	■
E 2.6 (201.029) (M 103.942)	-12/86	Gasolina	RWD	2597	118	160	09.86-08.93	■
2.6 (201.029) (M 103.942)	-12/86	Gasolina	RWD	2599	118	160	10.82-09.88	■
D 2.0 (201.122) (OM 601.911)	-12/86	Diesel	RWD	1997	53	72	08.83-08.89	■
D 2.5 (201.126) (OM 602.911)		Diesel	RWD	2497	69	94	08.89-08.93	■