

LISTA DE APLICACIONES - BUYERS GUIDE

180419-700

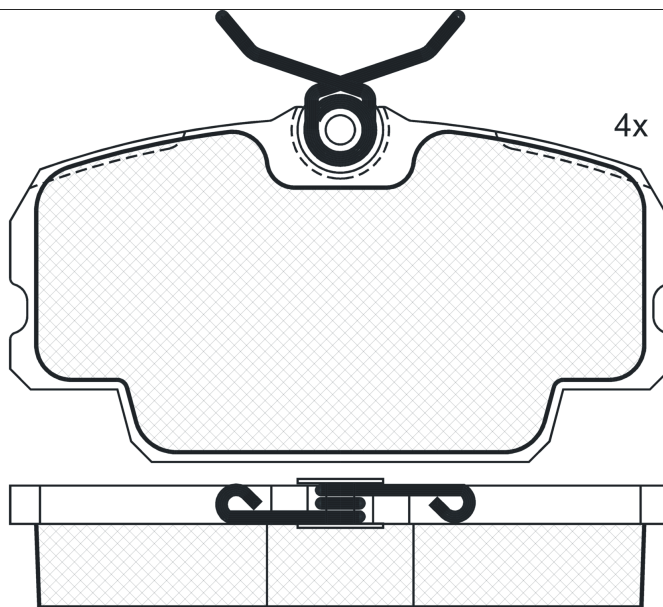


8 424073 052568

Qty: 300

Weight: 1.168

O.E.M.	MAKE
001 420 10 20	MERCEDES-BENZ
34 11 1 154 442 o.e	BMW
34 11 1 154 443 o.e	BMW
34 11 1 156 898 o.e	BMW
89 61 815	SAAB



180419-700



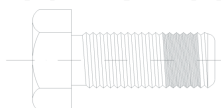
Lucas - Girling

95x51.1x17.5

WVA	FMSI
20748	D278-7181
20749	D278-7324
20890	
20891	

MAKE
BMW
MERCEDES-BENZ
SAAB

180419-700



4x

1-690042



Trac.	CC	Kw	CV
-------	----	----	----



Front / Rear

BMW

3 Serie II (E30) 09.82-03.92							Saloon (Compact executive car-D Segment)		
316 (M10 B18 (184VD))	-12/86	Gasolina	RWD	1766	66	90	09.83-06.88	■	
316 (Ecotronic) (M10 B18 (184VD))	-12/86	Gasolina	RWD	1766	66	90	09.83-06.88	■	
318i (M10 B18 (184KA))	-12/86	Gasolina	RWD	1766	75	102	12.84-08.88	■	
318i (M10 B18 (184EA))	-12/86	Gasolina	RWD	1766	77	105	09.82-08.87	■	
318i (M10 B18 (184EB))	-12/86	Gasolina	RWD	1766	77	105	09.82-08.87	■	
318i (M10 B18 (184EZ))	-12/86	Gasolina	RWD	1766	77	105	09.82-08.87	■	
320i (M20 B20 (206EB))		Gasolina	RWD	1990	92	125	09.82-12.91	■	
320i (M20 B20 (206KA))	-12/86	Gasolina	RWD	1990	95	129	10.86-04.91	■	
323 i (M20 B23 (236EB))		Gasolina	RWD	2316	102	139	09.82-08.83	■	
323 i (M20 B23 (236EC))		Gasolina	RWD	2316	110	150	09.83-09.86	■	
323 i (M20 B23 (236EW))		Gasolina	RWD	2316	110	150	09.83-09.86	■	
325i (M20 B25 (256E2))	-12/86	Gasolina	RWD	2494	126	171	09.83-11.89	■	
325 e 2.7 (M20 B27 (276KA))	-12/86	Gasolina	RWD	2693	90	122	10.83-12.88	■	
325 e 2.7 (M20 B27 (276KB))	-12/86	Gasolina	RWD	2693	90	122	10.83-12.88	■	

MERCEDES-BENZ

190 (W201) 10.82-08.93							Saloon (Compact executive car-D Segment)		
2.0 (201.022) (M 102.921)		Gasolina	RWD	1996	66	90	10.82-10.84	■	
2.0 (201.023) (M 102.924)	-12/86	Gasolina	RWD	1996	77	105	08.83-05.90	■	
E 2.0 (201.024) (M 102.961)	-12/86	Gasolina	RWD	1996	90	122	10.82-06.93	■	
E 2.0 (201.024) (M 102.962)	-12/86	Gasolina	RWD	1996	90	122	10.82-06.93	■	
E 2.0 (201.024) (M 102.961)	-12/86	Gasolina	RWD	1996	93	126	10.82-06.93	■	
E 2.3-16 (201.034) (M 102.983)	-12/85	Gasolina	RWD	2298	136	185	04.84-01.87	■	

LISTA DE APLICACIONES - BUYERS GUIDE

E 2.6 (201.029) (M 103.942)	-12/86	Gasolina	RWD	2597	118	160	09.86-08.93	■
2.6 (201.029) (M 103.942)	-12/86	Gasolina	RWD	2599	118	160	10.82-09.88	■
D 2.0 (201.122) (OM 601.911)	-12/86	Diesel	RWD	1997	53	72	08.83-08.89	■
D 2.5 (201.126) (OM 602.911)		Diesel	RWD	2497	69	94	08.89-08.93	■

SAAB

9000 09.84-12.98							Hatchback (Executive car-E Segment)		
2.0 -16 (B202XI)	-12/86	Gasolina	FWD	1985	92	125	12.85-12.88	■	
2.0 -16 (B202XI)	-12/86	Gasolina	FWD	1985	94	128	12.85-08.88	■	
2.0 -16 Turbo (B202XL)	-12/86	Gasolina	FWD	1985	118	160	09.84-08.93	■	