

# LISTA DE APLICACIONES - BUYERS GUIDE

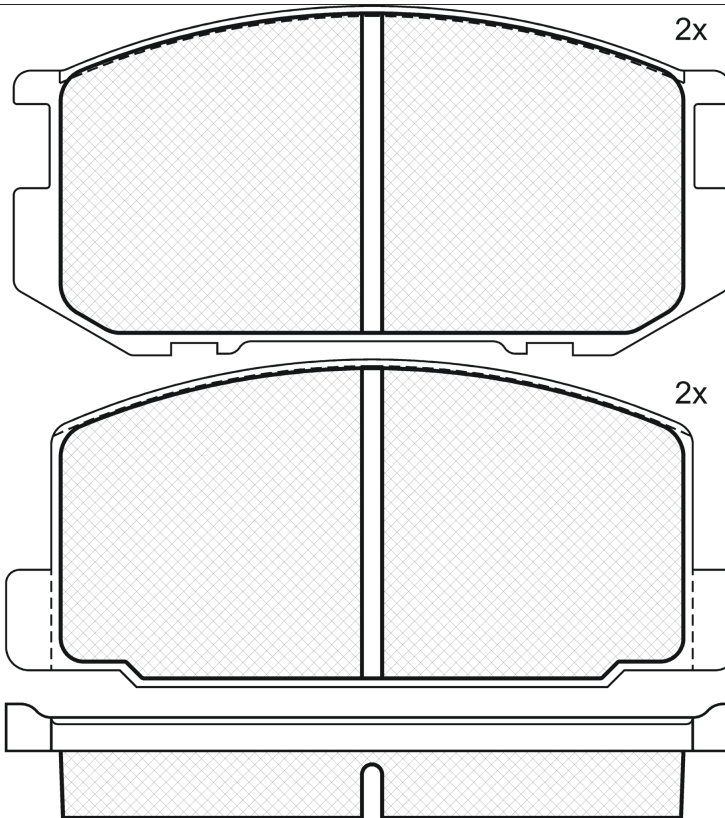
## 180463



8 424073 008671

Qty: 300

Weight: 1.103



HASTA FIN DE EXISTENCIAS  
UNTIL EXISTING STOCK RUNS OUT

## 180463



Akebono

107x52.15x15

109.3x48.9x15

**WVA**

20854

20856

**MAKE**

DAIHATSU

TOYOTA



Trac.	CC	Kw	CV
-------	----	----	----



Front / Rear

### DAIHATSU

#### CHARMANT II (A) 10.81-07.87

#### Saloon (Compact car-C Segment)

Model	Year	Fuel	Trac.	CC	Kw	CV	Period	Icon
1.3 (A35) (4K)	01/83-	Gasolina	RWD	1290	48	65	11.81-07.87	■
1.6 (A60) (4A)		Gasolina	RWD	1587	60	82	05.86-07.87	■
1.6 (A60) (4A)		Gasolina	RWD	1587	61	83	08.83-07.87	■
1.6 (A45) (2T)	01/83-	Gasolina	RWD	1588	55	75	12.81-09.84	■
1.6 (A60) (4A)		Gasolina	RWD	1588	57	78	09.85-07.87	■
1.6 Altair	01/83-	Gasolina	FWD	1595	61	83	10.81-	■

### TOYOTA

#### CARINA II-III (\_A6\_) 03.81-09.83

#### Estate (Compact car-C Segment)

1.8 (TA62_, TA62R) (3T-C)		Gasolina	RWD	1770	57	78	08.82-12.82	■
---------------------------	--	----------	-----	------	----	----	-------------	---

#### CARINA II-III (TA4\_, TA6\_) 05.73-09.83

#### Saloon (Compact car-C Segment)

1.8 (TA62_, TA62) (3T)	01/81-	Gasolina	RWD	1770	57	78	01.78-05.83	■
1.8 (TA62_, TA62) (3T-C)	01/81-	Gasolina	RWD	1770	57	78	01.78-05.83	■
1.8 (TA63) (3T)		Gasolina	RWD	1770	62	84	08.81-09.83	■
1.8 (TA63) (3T-C)		Gasolina	RWD	1770	62	84	08.81-09.83	■

#### CELICA II (\_A4\_) 08.77-07.81

#### Hatchback (Sports car-S Segment)

1.6 ST (TA40_, TA40R) (2T)		Gasolina	RWD	1588	66	90	02.79-07.81	■
----------------------------	--	----------	-----	------	----	----	-------------	---

#### CELICA III (\_A6\_) 08.81-12.85

#### Coupe (Sports car-S Segment)

1.6 (AA63_, AA63R) (4A-GE)		Gasolina	RWD	1587	91	124	12.83-12.85	■
----------------------------	--	----------	-----	------	----	-----	-------------	---

#### COROLLA V (\_E8\_) 05.82-05.89

#### Hatchback (Supermini car-B Segment)

1.6		Gasolina	FWD	1587	85	116	05.85-04.87	■
-----	--	----------	-----	------	----	-----	-------------	---

# LISTA DE APLICACIONES - BUYERS GUIDE

<b>COROLLA V / COROLLA SPRINTER (AE86) 05.83-07.87</b>					<b>Coupe (Supermini car-B Segment)</b>			
1.5 L		Gasolina	FWD	1452	61	83	06.83-07.87	■
1.6 SR (AE86) (4A-C)		Gasolina	RWD	1587	57	78	05.83-04.87	■
1.6 SR		Gasolina	FWD	1587	58	79	08.83-04.85	■
1.6 16V (AE86_, AE86) (4A-GEC)		Gasolina	RWD	1587	85	115	12.85-04.87	■
1.6 GT 16V (AE86) (4A-GE)		Gasolina	RWD	1587	91	124	08.83-07.87	■
1.6 GTi Twin Cam (AE86_, AE86)		Gasolina	RWD	1587	96	131	06.83-07.87	■
<b>COROLLA V Compact (E8B) 08.84-05.88</b>					<b>Hatchback (Supermini car-B Segment)</b>			
1.6		Gasolina	FWD	1587	85	116	05.85-04.87	■
1.6 GT 16V (AE82_) (4A-GEL)		Gasolina	FWD	1587	89	121	08.85-08.87	■
<b>CORONA VI (_T1_) 09.78-12.83</b>					<b>Saloon (Large family car-D Segment)</b>			
1.6 SD, GL	01/82-	Gasolina	FWD	1595	55	75	09.78-	■
1.8	01/82-	Gasolina	FWD	1795	55	75	09.78-	■
2.0 DLX	01/84-	Gasolina	FWD	1995	65	88	09.78-	■
2.4 Csi, Cxi	01/84-	Gasolina	FWD	2395	68	92	09.78-	■
<b>CORONA VII (_T14_) 08.83-08.88</b>					<b>Estate (Large family car-D Segment)</b>			
2.0	01/84-	Gasolina	FWD	1995	65	88	08.83-	■
<b>CORONA VII (_T14_, _T15_, _T16_) 01.82-08.88</b>					<b>Saloon (Large family car-D Segment)</b>			
2.0 D		Diesel	RWD	1974	54	73	01.84-08.88	■
<b>SPRINTER V 06.83-07.87</b>					<b>Coupe (Compact executive car-D Segment)</b>			
1.6 GTi (AE86)		Gasolina	FWD	1587	91	124	10.84-07.87	■
<b>SPRINTER V 06.83-07.87</b>					<b>Hatchback (Compact executive car-D Segment)</b>			
1.5		Gasolina	FWD	1452	61	83	06.83-07.87	■
1.6 GTI		Gasolina	FWD	1587	91	124	10.84-07.87	■
1.6 GTI		Gasolina	FWD	1587	96	131	06.83-07.87	■
<b>SPRINTER CARIB V (AL25G) 05.82-10.87</b>					<b>Estate (Compact executive car-D Segment)</b>			
1.5		Gasolina	FWD	1452	60	82	08.86-10.87	■
1.5		Gasolina	FWD	1452	61	83	05.82-10.87	■