

LISTA DE APLICACIONES - BUYERS GUIDE

180474

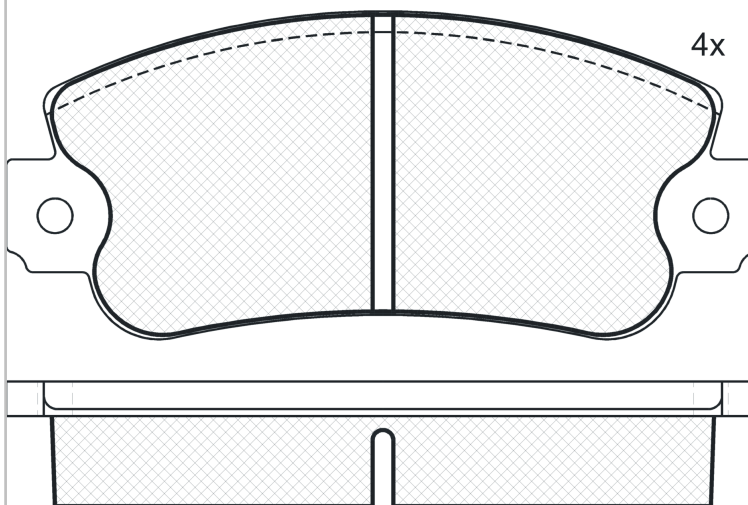


8 424073 008787

Qty: 300

Weight: 1.010

O.E.M.	MAKE
5 889 226	LANCIA
5 890 813	FIAT
5 892 309	INNOCENTI
5 892 312	FIAT
5 951 660	FIAT
7 174 835 4	FIAT
7 174 838 4	FIAT
7 177 098 3	FIAT
7 736 226 6	FIAT
7 925 61	AUTOBIANCHI
7 933 22	AUTOBIANCHI
791 906	FIAT
792 113	FIAT
792 538	FIAT
792 539	FIAT
792 561	LANCIA
792 589	FIAT
793 322	LANCIA
793 325	FIAT



180474



Bendix

108.8x47.42x18

WVA
20775

MAKE

- ABARTH
- AUTOBIANCHI
- FIAT
- INNOCENTI
- LANCIA



Trac.	CC	Kw	CV
-------	----	----	----



Front / Rear

ABARTH

RITMO / STRADA 11.81-12.87	Hatchback (Compact car-C Segment)						
125 TC 2.0 (138.A_) (138 AR1.000)	Gasolina	FWD	1995	92	125	11.81-12.87	■
130 TC 2.0 (138.A_, 138.A) (138 AR2.000)	Gasolina	FWD	1995	96	130	04.83-12.87	■

AUTOBIANCHI

Y10 (156) 03.85-10.95	Hatchback (City car-A Segment)							
1.0	Gasolina	FWD	999	32	44	03.86-12.92	■	
1.0 (156 A2.000)	-12/92	Gasolina	FWD	999	33	45	03.85-10.95	■
1.0 Cat (156A2.246)	-12/92	Gasolina	FWD	999	33	45	10.87-10.95	■
1.0 4WD (156 A3.000)	-12/89	Gasolina	4WD	999	37	50	12.86-10.95	■
1.0 (156A.000)	-12/92	Gasolina	FWD	1049	41	56	03.85-10.95	■
1.0 Turbo (156A1.000)	-12/92	Gasolina	FWD	1049	63	85	03.85-10.95	■
1.1		Gasolina	FWD	1108	37	50	02.90-09.92	■
1.1 4WD (156AH)		Gasolina	4WD	1108	40	54	10.94-08.95	■
1.1 (156C.000)	-12/94	Gasolina	FWD	1108	42	57	06.89-10.95	■
1.1 4WD (156C.000)	-12/92	Gasolina	4WD	1108	42	57	06.89-10.95	■
1.1 i.e. Cat (156C.046)	-12/94	Gasolina	FWD	1108	42	57	09.90-10.95	■

FIAT

MILLE (146_) 10.88-	Hatchback (Supermini car-B Segment)						
1.0	Gasolina	FWD	994	35	48	10.94-06.06	■
1.0	Gasolina	FWD	999	49	67	01.10-	■
1.4	Gasolina	FWD	1372	49	67	10.88-03.01	■

LISTA DE APLICACIONES - BUYERS GUIDE

PANDA (141_) 01.86-02.04					Hatchback Van (LCVs-N1 Segment)			
750 (141 B.000)		Gasolina	FWD	764	25	34	01.86-07.92	■
1000 (156 A2.100)		Gasolina	FWD	999	32	44	01.86-02.92	■
1000 (156 A3.100)		Gasolina	FWD	999	32	44	01.86-02.92	■
1.1 (156 C.046)		Gasolina	4WD	1108	37	50	05.91-03.95	■
1.1 (187 A1.000)		Gasolina	FWD	1108	40	54	09.00-02.04	■
PANDA (141_) 03.80-07.04					Hatchback (City car-A Segment)			
650 (141 A.000)	-12/90	Gasolina	FWD	652	22	30	01.82-07.04	■
650	-12/90	Gasolina	FWD	652	22	30	01.82-07.04	■
750 (156 A4.000)	-12/90	Gasolina	FWD	770	25	34	01.86-10.03	■
750		Gasolina	FWD	770	25	34	01.86-01.95	■
800 (100 GL6.000)	01/82-	Gasolina	FWD	843	25	34	02.81-12.85	■
900 (1170 A1.046)		Gasolina	FWD	899	29	40	04.92-12.96	■
0.9 Fire S A las 4 ruedas (146 A.048)	01/82-	Gasolina	4WD	903	33	45	10.80-04.86	■
900 (100 GL3.000)	01/82-	Gasolina	FWD	903	33	45	10.80-06.94	■
900 (146 A.000)	01/82-	Gasolina	FWD	903	33	45	10.80-06.94	■
1000 (156 A2.100)	01/88-	Gasolina	FWD	999	32	44	01.86-04.92	■
1000 4x4 (156 A2.100)		Gasolina	4WD	999	32	44	01.86-07.89	■
1000 4x4 (156 A3.100)		Gasolina	4WD	999	32	44	01.86-07.89	■
1000 4x4 (141 C2.000)		Gasolina	4WD	999	33	45	05.86-12.94	■
1000 4x4 (156 A2.246)		Gasolina	4WD	999	33	45	05.86-12.94	■
1000 i.e. Cat (141 C2.000)	-12/88	Gasolina	FWD	999	33	45	10.87-08.98	■
1000 i.e. Cat (156 A2.246)	-12/88	Gasolina	FWD	999	33	45	10.87-08.98	■
1000 (156 A3.000)	01/87-	Gasolina	FWD	999	37	50	01.85-12.92	■
1000 4x4 (156 A3.000)	01/88-	Gasolina	4WD	999	37	50	01.86-12.92	■
1100 (156 C.046)	01/92-	Gasolina	FWD	1108	37	50	05.91-12.99	■
1100 Trekking 4x4 (156 C.046)	-12/95	Gasolina	4WD	1108	37	50	10.91-07.04	■
1100 (176 B2.000)	01/00-	Gasolina	FWD	1108	40	54	02.95-09.03	■
1100 (187 A1.000)	01/00-	Gasolina	FWD	1108	40	54	02.95-09.03	■
1100 4x4 (176 B2.000)		Gasolina	4WD	1108	40	54	02.95-07.04	■
1300 D (156 A5.000)	01/88-	Diesel	FWD	1302	27	37	04.86-12.92	■
REGATA (138_) 09.83-08.95					Saloon (Compact car-C Segment)			
1.1 60 L		Gasolina	FWD	1090	40	55	09.83-	■
1.1 60 L		Gasolina	FWD	1090	40	55	09.83-	■
1.1 60 L		Gasolina	FWD	1090	40	55	09.83-	■
1.1 60 L		Gasolina	FWD	1090	40	55	09.83-	■
1.1 60 L		Gasolina	FWD	1090	40	55	09.83-	■
1.1 60 L		Gasolina	FWD	1090	40	55	09.83-	■
70 1.3 (149 A3.000)		Gasolina	FWD	1301	48	65	09.83-07.89	■
70 1.3 (149 A7.000)		Gasolina	FWD	1301	48	65	09.83-07.89	■
70 1.3 (138 B2.000)		Gasolina	FWD	1301	50	68	09.83-07.86	■
75 1.5 (138 B3.048)		Gasolina	FWD	1498	55	75	12.83-07.89	■
75 1.5 (138 C2.048)		Gasolina	FWD	1498	55	75	12.83-07.89	■
75 1.5 (138 C3.048)		Gasolina	FWD	1498	55	75	12.83-07.89	■
75 1.5 (149 C1.000)		Gasolina	FWD	1498	55	75	12.83-07.89	■
75 i.e. 1.5		Gasolina	FWD	1498	55	75	07.85-07.89	■
85 1.5 (149 A5.000)		Gasolina	FWD	1498	58	79	05.85-12.87	■
85 Super 1.5 (138 B3.000)		Gasolina	FWD	1498	60	82	09.83-04.85	■
85 1.5 (138 B3.000)		Gasolina	FWD	1498	63	86	02.84-08.86	■
85 1.6 (149 A.000)		Gasolina	FWD	1585	60	82	10.83-06.90	■

LISTA DE APLICACIONES - BUYERS GUIDE

100 Super 1.6 (149 C3.000)		Gasolina	FWD	1585	70	95	10.83-07.89	■
100 Super 1.6 (149 A2.000)		Gasolina	FWD	1585	74	101	10.83-12.90	■
100 Super 1.6 (149 A4.000)		Gasolina	FWD	1585	74	101	10.83-12.90	■
90 i.e. 1.6 (149 C2.000)		Gasolina	FWD	1595	66	90	01.87-07.89	■
60 Diesel 1.7 (149 B3.000)		Diesel	FWD	1698	44	60	05.85-03.89	■
60 Diesel 1.7 (138 B6.000)		Diesel	FWD	1714	43	58	09.83-12.86	■
65 Diesel 1.9 (149 A1.000)		Diesel	FWD	1929	48	65	04.84-07.89	■
80 Turbo Diesel 1.9 (831 D1.000)		Diesel	FWD	1929	59	80	05.86-07.89	■
REGATA Weekend (138_) 06.83-08.95				Estate (Compact car-C Segment)				
70 1.3 (138 B2.000)		Gasolina	FWD	1301	50	68	01.84-07.89	■
75 1.5 (138 B3.048)		Gasolina	FWD	1498	55	75	09.84-07.89	■
75 1.5 (138 C2.048)		Gasolina	FWD	1498	55	75	09.84-07.89	■
75 1.5 (138 C3.048)		Gasolina	FWD	1498	55	75	09.84-07.89	■
75 1.5 (149 C1.000)		Gasolina	FWD	1498	55	75	09.84-07.89	■
75 1.5 i.e. Cat		Gasolina	FWD	1498	55	75	12.86-07.89	■
85 1.5 (138 B3.000)		Gasolina	FWD	1498	60	82	01.84-04.89	■
85 1.5 (138 B3.000)		Gasolina	FWD	1498	63	86	06.83-08.86	■
100 1.6 (RF) (149 A4.000)		Gasolina	FWD	1585	74	101	09.84-12.90	■
100 1.6 (RF) (149 C3.000)		Gasolina	FWD	1585	74	101	09.84-12.90	■
100 i.e. 1.6		Gasolina	FWD	1585	74	101	01.87-12.90	■
90 i.e. 1.6 (149 C2.000)		Gasolina	FWD	1595	66	90	01.87-07.89	■
60 Diesel 1.7 (149 B3.000)		Diesel	FWD	1698	44	60	01.84-12.89	■
65 Diesel 1.9 (149 A1.000)		Diesel	FWD	1929	48	65	04.84-07.89	■
80 Turbo Diesel 1.9 (831 D1.000)		Diesel	FWD	1929	59	80	05.86-07.89	■
RITMO / STRADA (138_) 01.78-12.88				Hatchback (Compact car-C Segment)				
1.0 (127 A6.000)		Gasolina	FWD	1049	44	60	09.78-09.82	■
1.1 (138 B.000)		Gasolina	FWD	1116	40	55	10.82-12.87	■
1.1 (138 B1.000)		Gasolina	FWD	1116	40	55	10.82-12.87	■
1.1 (138 C1.000)		Gasolina	FWD	1116	40	55	10.82-12.87	■
1.1 (146 A4.048)		Gasolina	FWD	1116	43	58	04.85-12.87	■
1.3 (138 A1.000)		Gasolina	FWD	1301	48	65	01.78-08.85	■
1.3 (149 A3.000)		Gasolina	FWD	1301	48	65	01.78-08.85	■
1.3 (149 A7.000)		Gasolina	FWD	1301	48	65	01.78-08.85	■
1.3		Gasolina	FWD	1301	48	65	11.83-08.85	■
1.3 (138 B2.000)		Gasolina	FWD	1301	50	68	01.83-04.85	■
1.3 (138 A3.000)		Gasolina	FWD	1301	55	75	01.81-09.82	■
1.5		Gasolina	FWD	1498	55	75	10.85-05.87	■
1.5 (138 A2.000)		Gasolina	FWD	1498	55	75	01.78-12.88	■
1.5 (138 C2.048)		Gasolina	FWD	1498	55	75	01.78-12.88	■
1.5 (138 C3.048)		Gasolina	FWD	1498	55	75	01.78-12.88	■
1.5 (149 C1.000)		Gasolina	FWD	1498	55	75	01.78-12.88	■
1.5 (149 A5.000)		Gasolina	FWD	1498	58	79	08.85-05.87	■
1.5 (138 B3.000)		Gasolina	FWD	1498	60	82	01.83-12.87	■
1.6 (138 AR.000)		Gasolina	FWD	1585	66	90	12.85-12.87	■
1.6 (149 A4.000)		Gasolina	FWD	1585	74	100	01.83-12.87	■
1.6 (138 AR.000)		Gasolina	FWD	1585	77	105	05.81-12.87	■
1.6		Gasolina	FWD	1595	66	90	09.85-12.87	■
125 TC Abarth 2.0		Gasolina	FWD	1995	92	125	11.81-09.82	■
1.7 Diesel (138 C.000)		Diesel	FWD	1698	44	60	05.85-12.87	■
1.7 Diesel (149 B3.000)		Diesel	FWD	1698	44	60	05.85-12.87	■

LISTA DE APLICACIONES - BUYERS GUIDE

1.7 Diesel (138 A5.000)		Diesel	FWD	1714	40	55	10.79-09.82	■	
1.7 Diesel		Diesel	RWD	1714	43	58	10.79-10.85	■	
1.9 TD (831 D1.000)		Diesel	FWD	1929	59	80	12.85-12.87	■	
UNO I-IV (146_, 158_) 01.83-12.13					Hatchback (Supermini car-B Segment)				
1.0	01/95-	Gasolina	FWD	994	35	48	08.90-06.01	■	
1.0 iE (156 A2.246)		Gasolina	FWD	999	34	46	05.98-08.00	■	
UNO IV Mondo (146D/146B) 01.94-01.00					Hatchback (Supermini car-B Segment)				
1.0	01/94-	Gasolina	FWD	995	33	45	01.94-	■	
INNOCENTI									
MILLE CLIP 01.94-					Hatchback (Supermini car-B Segment)				
1.0	01/94-	Gasolina	FWD	995	35	47	01.94-	■	
1.4	01/94-	Gasolina	FWD	1395	51	69	01.94-	■	
LANCIA									
Y10 (156_) 03.85-12.95					Hatchback (City car-A Segment)				
1.0 Fire (156B, 156AD) (156 A2.100)		Gasolina	FWD	999	32	44	06.85-06.91	■	
1.0 Fire A las 4 ruedas (156AE) (156 A2.100)		Gasolina	4WD	999	32	44	12.86-02.89	■	
1.0 Fire (156AA) (156 A2.000)		Gasolina	FWD	999	33	45	03.85-06.89	■	
1.0 Fire A las 4 ruedas (156AE) (156 A2.000)		Gasolina	4WD	999	33	45	12.87-02.92	■	
1.0 Fire A las 4 ruedas (156AE) (156 A2.246)		Gasolina	4WD	999	33	45	12.87-02.92	■	
1.0 Fire Catalytic-Conv (156AE) (156 A2.246)		Gasolina	FWD	999	33	45	10.87-02.92	■	
1.0 Fire (156AA, 156AD) (156 A2.000)		Gasolina	FWD	999	37	50	03.85-02.90	■	
1.0 Fire A las 4 ruedas (156AE) (156 A2.000)		Gasolina	4WD	999	37	50	12.87-02.90	■	
1.0 (156C) (156 A.000)		Gasolina	FWD	1049	41	56	03.85-07.89	■	
1.0 Turbo (156D) (156 A1.000)		Gasolina	FWD	1049	62	84	03.85-02.89	■	
1.1 i.e. Fire (156AG) (156 C.046)		Gasolina	FWD	1108	37	50	07.89-09.95	■	
1.1 i.e. Fire A las 4 ruedas (156AG) (156 C.046)		Gasolina	4WD	1108	37	50	09.92-12.95	■	
1.1 Fire (156AG) (176 B2.000)		Gasolina	FWD	1108	40	54	01.95-12.95	■	
1.1 Fire A las 4 ruedas (156AG) (176 B2.000)		Gasolina	4WD	1108	40	54	01.95-12.95	■	
1.1 i.e Fire (156AC) (156 C.000)		Gasolina	FWD	1108	42	57	08.89-06.92	■	
1.1 i.e Fire A las 4 ruedas (156AC) (156 C.000)		Gasolina	4WD	1108	42	57	08.89-06.92	■	