

LISTA DE APLICACIONES - BUYERS GUIDE

180511

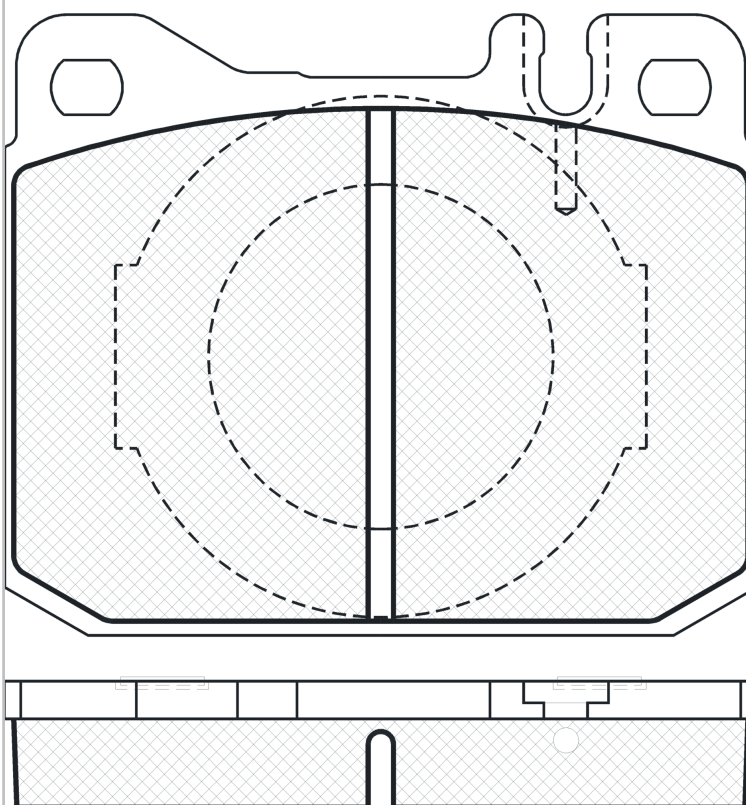


8 424073 009005

Qty: 300

Weight: 1.353

O.E.M.	MAKE
001 586 18 42	MERCEDES-BENZ
001 586 32 42	MERCEDES-BENZ
001 586 33 42	MERCEDES-BENZ
001 586 36 42	MERCEDES-BENZ



4x

180511



Ate - Teves

89.65x73.85x15

WVA

20392

MAKE

MERCEDES-BENZ



Trac.	CC	Kw	CV
-------	----	----	----



Front / Rear

MERCEDES-BENZ

/8 (W114) 04.69-02.77								Coupe (Executive car-E Segment)		
250 C (114.021) (M 114.920)	01/70-	Gasolina	RWD	2496	96	130	04.69-06.72	■		
250 CE (114.022) (M 114.980)	01/70-	Gasolina	RWD	2496	110	150	04.69-04.72	■		
280 C (114.073) (M 110.921)	01/74-	Gasolina	RWD	2746	118	160	06.72-02.77	■		
280 CE (114.072) (M 110.981)	01/74-	Gasolina	RWD	2746	136	185	06.72-01.77	■		
250 C 2.8 (114.023) (M 130.923)	01/74-	Gasolina	RWD	2778	96	130	06.72-11.76	■		
/8 (W114) 01.68-11.76								Saloon (Executive car-E Segment)		
200 (115.015) (M 115.923)	01/74-	Gasolina	RWD	1988	63	86	01.68-01.77	■		
200 (115.015) (M 115.926)	01/74-	Gasolina	RWD	1988	63	86	01.68-01.77	■		
200 (115.020) (M 115.923)	01/74-	Gasolina	RWD	1988	70	95	01.68-01.77	■		
200 (115.020) (M 115.926)	01/74-	Gasolina	RWD	1988	70	95	01.68-01.77	■		
230.6 (114.015) (M 180.954)	01/74-	Gasolina	RWD	2292	88	120	01.68-11.76	■		
230.4 (115.017) (M 115.951)		Gasolina	RWD	2307	81	110	08.73-12.76	■		
280 (114.060) (M 110.921)	01/74-	Gasolina	RWD	2746	118	160	06.72-11.76	■		
280 E (114.062) (M 110.981)	01/74-	Gasolina	RWD	2746	136	185	06.72-11.76	■		
250 2.8 (114.011) (M 130.923)	01/74-	Gasolina	RWD	2778	96	130	06.72-11.76	■		
220 D (115.110) (OM 615.912)	01/74-	Diesel	RWD	2197	44	60	01.68-01.77	■		
240 D (115.117) (OM 616.916)	01/74-	Diesel	RWD	2404	48	65	08.73-01.77	■		
240 D 3.0 (115.114) (OM 617.910)		Diesel	RWD	2998	59	80	08.74-11.76	■		
123 (C123) 03.77-12.85								Coupe (Executive car-E Segment)		
230 C (123.043) (M 115.954)	-12/79	Gasolina	RWD	2307	80	109	05.77-04.80	■		
280 C (123.050) (M 110.923)	-12/79	Gasolina	RWD	2746	115	156	03.77-03.80	■		
280 CE (123.053) (M 110.988)		Gasolina	RWD	2746	130	177	09.77-08.79	■		

LISTA DE APLICACIONES - BUYERS GUIDE

280 CE (M 110.988)	-12/79	Gasolina	RWD	2746	136	185	03.77-11.85	■	
123 (W123) 01.76-12.85					Saloon (Executive car-E Segment)				
200 (123.020) (M 115.938)	-12/79	Gasolina	RWD	1988	62	84	02.76-08.80	■	
200 (123.020) (M 115.939)	-12/79	Gasolina	RWD	1988	62	84	02.76-08.80	■	
200 (123.020) (M 115.938)	-12/79	Gasolina	RWD	1988	69	94	02.76-08.80	■	
200 (123.020) (M 115.939)	-12/79	Gasolina	RWD	1988	69	94	02.76-08.80	■	
230 (123.023) (M 115.954)	-12/79	Gasolina	RWD	2307	80	109	02.76-03.81	■	
250 (123.026) (M 123.921)		Gasolina	RWD	2525	95	129	02.76-10.79	■	
280 (123.030) (M 110.923)	-12/79	Gasolina	RWD	2746	115	156	02.76-08.81	■	
280 E (123.033) (M 110.988)	-12/79	Gasolina	RWD	2746	130	177	08.76-08.81	■	
280 E (123.033) (M 110.984)	-12/79	Gasolina	RWD	2746	136	185	02.76-11.85	■	
280 E (123.033) (M 110.988)	-12/79	Gasolina	RWD	2746	136	185	02.76-11.85	■	
200 D (123.120) (OM 615.940)		Diesel	RWD	1988	40	55	07.76-02.79	■	
200 D (123.120) (OM 615.940)	-12/80	Diesel	RWD	1988	44	60	03.79-11.85	■	
220 D (123.126) (OM 615.941)		Diesel	RWD	2197	44	60	01.76-02.79	■	
220 D (123.126) (OM 615.941)		Diesel	RWD	2197	49	67	01.77-03.79	■	
240 D (123.123) (OM 616.912)		Diesel	RWD	2399	48	65	02.76-02.79	■	
300 D (123.130) (OM 617.912)	-12/79	Diesel	RWD	2998	59	80	02.76-07.80	■	
123 T-Model (S123) 09.77-12.86					Estate (Executive car-E Segment)				
230 T (123.083) (M 115.954)	-12/79	Gasolina	RWD	2307	80	109	09.77-03.80	■	
250 T (123.086) (M 123.921)		Gasolina	RWD	2525	95	129	05.78-10.79	■	
250 T (123.086) (M 123.921)	-12/79	Gasolina	RWD	2525	103	140	05.78-08.82	■	
280 TE (123.093) (M 110.988)	-12/79	Gasolina	RWD	2746	136	185	09.77-11.85	■	
240 T D (123.183) (OM 616.912)		Diesel	RWD	2399	48	65	09.77-02.79	■	
300 T D (123.190) (OM 617.912)	-12/79	Diesel	RWD	2998	59	80	09.77-10.85	■	
S-Class (W116) 08.72-07.80					Saloon (Luxury car-F Segment)				
280 S (116.020) (M 110.922)	01/74-	Gasolina	RWD	2746	115	156	08.72-07.80	■	
280 S (116.020) (M 110.922)	01/74-	Gasolina	RWD	2746	118	160	08.72-07.80	■	
280 SE, SEL (116.024, 116.025) (M 110.985)	01/74-	Gasolina	RWD	2746	130	177	08.72-07.80	■	
280 SE, SEL (116.024, 116.025) (M 110.983)	01/74-	Gasolina	RWD	2746	136	185	08.72-07.80	■	
280 SE, SEL (116.024, 116.025) (M 110.985)	01/74-	Gasolina	RWD	2746	136	185	08.72-07.80	■	
350 SE, SEL (116.028, 116.029) (M 116.985)		Gasolina	RWD	3499	143	194	03.76-03.80	■	
350 SE, SEL (116.028, 116.029) (M 116.983)	01/74-	Gasolina	RWD	3499	147	200	08.72-02.76	■	
350 SE, SEL (116.028, 116.029) (M 116.985)		Gasolina	RWD	3499	151	205	03.76-03.80	■	
450 SE (M 117.983)		Gasolina	RWD	4520	143	194	08.72-12.76	■	
450 SE,SEL (116.033) (M 117.983)		Gasolina	RWD	4520	160	218	12.75-04.80	■	
450 SE,SEL (116.033) (M 117.986)		Gasolina	RWD	4520	160	218	12.75-04.80	■	
450 SE, SEL (116.032) (M 117.983)	01/74-	Gasolina	RWD	4520	165	224	01.73-04.80	■	
450 SE, SEL (116.032) (M 117.986)	01/74-	Gasolina	RWD	4520	165	224	01.73-04.80	■	
450 SEL 6.9 (116.036) (M 100.985)		Gasolina	RWD	6834	210	286	07.75-03.80	■	
SL-Class III (R107) 05.71-12.89					Convertible (Executive car-E Segment)				
280 SL (107.042) (M 110.982)	-12/79	Gasolina	RWD	2746	130	177	06.76-09.81	■	
280 SL (107.042) (M 110.986)	-12/79	Gasolina	RWD	2746	130	177	06.76-09.81	■	
280 SL (107.042) (M 110.990)	-12/79	Gasolina	RWD	2746	130	177	06.76-09.81	■	
280 SL (107.042) (M 110.982)	-12/79	Gasolina	RWD	2746	136	185	08.74-07.85	■	
280 SL (107.042) (M 110.986)	-12/79	Gasolina	RWD	2746	136	185	08.74-07.85	■	
280 SL (107.042) (M 110.990)	-12/79	Gasolina	RWD	2746	136	185	08.74-07.85	■	
350 SL (107.043) (M 116.982)	01/76-	Gasolina	RWD	3499	143	195	05.71-02.80	■	
350 SL (107.043) (M 116.984)	01/76-	Gasolina	RWD	3499	143	195	05.71-02.80	■	
450 SL (107.044) (M 117.982)	-12/79	Gasolina	RWD	4520	160	218	09.75-10.80	■	

LISTA DE APLICACIONES - BUYERS GUIDE

450 SL (107.044) (M 117.985)	-12/79	Gasolina	RWD	4520	160	218	09.75-10.80	■	
450 SL (107.044) (M 117.982)	01/74-	Gasolina	RWD	4520	165	224	10.72-10.80	■	
450 SL (107.044) (M 117.985)	01/74-	Gasolina	RWD	4520	165	224	10.72-10.80	■	
SL-Class III (C107) 01.72-08.85					Coupe (Executive car-E Segment)				
280 SLC (107.022) (M 110.982)	-12/79	Gasolina	RWD	2746	130	177	06.76-09.81	■	
280 SLC (107.022) (M 110.986)	-12/79	Gasolina	RWD	2746	130	177	06.76-09.81	■	
280 SLC (107.022) (M 110.990)	-12/79	Gasolina	RWD	2746	130	177	06.76-09.81	■	
280 SLC (107.022) (M 110.982)	-12/79	Gasolina	RWD	2746	136	185	08.74-09.81	■	
280 SLC (107.022) (M 110.986)	-12/79	Gasolina	RWD	2746	136	185	08.74-09.81	■	
280 SLC (107.022) (M 110.990)	-12/79	Gasolina	RWD	2746	136	185	08.74-09.81	■	
350 SLC (107.023) (M 116.982)	-12/79	Gasolina	RWD	3499	143	195	03.76-02.80	■	
350 SLC (107.023) (M 116.984)	-12/79	Gasolina	RWD	3499	143	195	03.76-02.80	■	
450 SLC (107.024) (M 117.982)		Gasolina	RWD	4520	160	218	09.75-08.79	■	
450 SLC (107.024) (M 117.985)		Gasolina	RWD	4520	160	218	09.75-08.79	■	
450 SLC (107.024) (M 117.982)	01/74-	Gasolina	RWD	4520	165	225	01.73-11.75	■	
450 SLC (107.024) (M 117.985)	01/74-	Gasolina	RWD	4520	165	225	01.73-11.75	■	
450 SLC 5.0 (107.026) (M 117.960)	-12/79	Gasolina	RWD	4973	177	241	06.78-02.80	■	