


# LISTA DE APLICACIONES - BUYERS GUIDE

## 180517

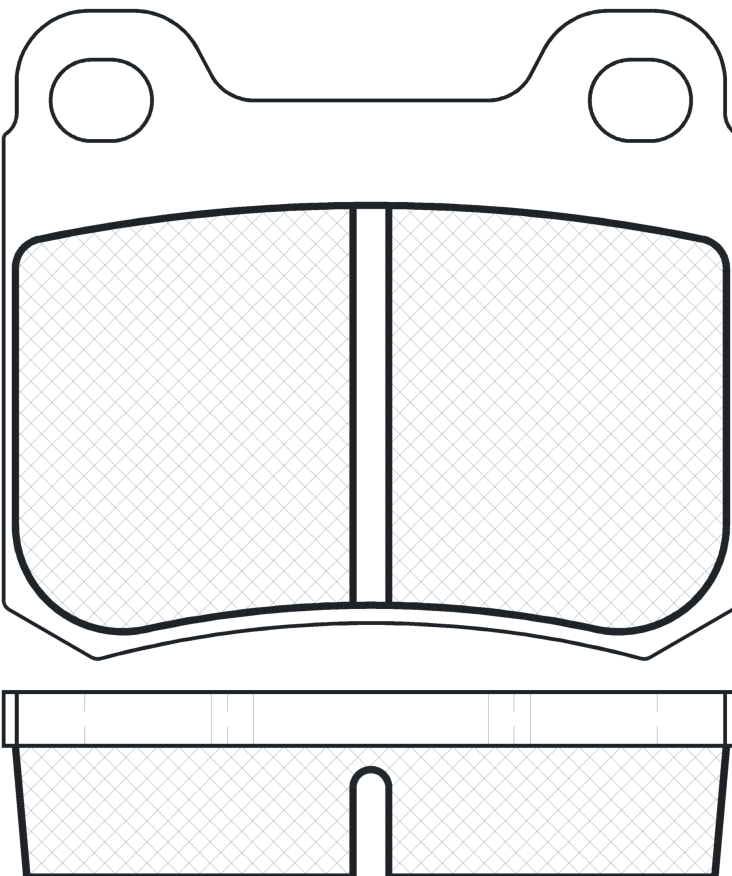


8 424073 009012

Qty: 944      Weight: 650


O.E.M.	MAKE
000 420 98 20	MERCEDES-BENZ

## 4x



## 180517

**E 9** **90R-02A0110/2903**



Ate - Teves

61.6x54.3x15.5

WVA	FMSI
20687	D335-7315
MAKE	
MERCEDES-BENZ	



Trac.	CC	Kw	CV
-------	----	----	----



### MERCEDES-BENZ

124 (C124) 03.87-07.93							Coupe (Executive car-E Segment)			
200 CE (124.041) (M 102.963)		Gasolina	RWD	1996	87	118	03.90-12.92			■
200 CE (124.041) (M 102.963)		Gasolina	RWD	1996	90	122	03.90-12.92			■
200 CE (124.040) (M 111.940)		Gasolina	RWD	1998	100	136	07.92-07.93			■
220 CE (124.042) (M 111.960)		Gasolina	RWD	2199	110	150	10.92-05.93			■
230 CE (124.043) (M 102.982)	-12/90	Gasolina	RWD	2298	97	132	03.87-12.92			■
230 CE Cat (124.043) (M 102.982)	-12/90	Gasolina	RWD	2298	97	132	06.89-12.92			■
230 CE (124.043) (M 102.982)	-12/90	Gasolina	RWD	2298	100	136	03.87-12.92			■
300 CE (124.050) (M 103.983)	-12/90	Gasolina	RWD	2960	132	180	03.87-05.93			■
300 CE (124.050) (M 103.983)		Gasolina	RWD	2960	138	188	03.87-12.89			■
124 (W124) 12.84-08.93							Saloon (Executive car-E Segment)			
200 (124.020) (M 102.922)		Gasolina	RWD	1996	75	102	01.86-05.90			■
200 (124.020) (M 102.922)		Gasolina	RWD	1996	77	105	01.86-10.92			■
200 (124.020) (M 102.922)		Gasolina	RWD	1996	80	109	12.85-05.90			■
200 E (124.021) (M 102.963)	-12/90	Gasolina	RWD	1996	87	118	09.88-08.93			■
200 E (124.021) (M 102.963)		Gasolina	RWD	1996	90	122	09.88-12.89			■
200 E (124.020)		Gasolina	RWD	1997	77	105	11.92-05.93			■
200 E (124.019) (M 111.940)		Gasolina	RWD	1998	100	136	10.92-06.93			■
220 E (124.022) (M 111.960)		Gasolina	RWD	2199	110	150	10.92-06.93			■
230 E (124.023) (M 102.982)	-12/90	Gasolina	RWD	2298	97	132	12.84-03.92			■
230 E Cat (124.023) (M 102.982)	-12/90	Gasolina	RWD	2298	97	132	06.89-06.93			■
230 E (124.023) (M 102.982)	-12/90	Gasolina	RWD	2298	100	136	01.85-06.93			■
260 E (124.026) (M 103.940)	-12/90	Gasolina	RWD	2597	118	160	09.85-08.92			■
260 E 4-matic (124.226) (M 103.943)	-12/90	Gasolina	4WD	2597	118	160	09.86-08.92			■

# LISTA DE APLICACIONES - BUYERS GUIDE

260 E (124.026) (M 103.940)		Gasolina	RWD	2597	122	166	09.85-12.89	■
260 E 4-matic (124.226) (M 103.940)		Gasolina	4WD	2597	122	166	12.86-12.89	■
280 E (124.028) (M 104.942)		Gasolina	RWD	2799	145	197	10.92-06.93	■
300 E (124.030) (M 103.983)	-12/90	Gasolina	RWD	2960	132	180	08.85-08.92	■
300 E 4-matic (124.230) (M 103.985)	-12/90	Gasolina	4WD	2960	132	180	09.86-06.93	■
300 E (124.030) (M 103.980)		Gasolina	RWD	2960	138	188	01.85-12.85	■
300 E (124.030) (M 103.983)	-12/90	Gasolina	RWD	2960	138	188	06.85-08.92	■
300 E 4-matic (124.230) (M 103.983)	-12/90	Gasolina	4WD	2960	138	188	09.86-02.92	■
300 E-24 (124.031) (M 104.980)	-12/90	Gasolina	RWD	2960	170	231	09.88-08.92	■
200 D (124.120) (OM 601.912)		Diesel	RWD	1997	53	72	12.84-08.89	■
200 D (124.120) (OM 601.912)	-12/90	Diesel	RWD	1997	55	75	08.89-06.93	■
250 D (124.125) (OM 602.912)	-12/90	Diesel	RWD	2497	66	90	04.85-06.93	■
250 D (124.125) (OM 602.912)	-12/90	Diesel	RWD	2497	69	94	01.89-06.93	■
250 Turbo-D (124.128) (OM 602.962)		Diesel	RWD	2497	93	126	09.88-06.93	■
300 D (124.130) (OM 603.912)		Diesel	RWD	2996	80	109	12.84-08.89	■
300 D 4-matic (124.330) (OM 603.913)	-12/90	Diesel	4WD	2996	80	109	09.86-08.92	■
300 D (124.130) (OM 603.912)		Diesel	RWD	2996	81	110	06.90-06.93	■
300 D (124.130) (OM 603.912)	-12/90	Diesel	RWD	2996	83	113	08.89-06.93	■
300 D 4-matic (124.330) (OM 603.913)	-12/90	Diesel	4WD	2996	83	113	08.89-06.93	■
300 Turbo-D (124.133) (OM 603.960)		Diesel	RWD	2996	105	143	09.86-09.88	■
300 Turbo-D (124.133) (OM 603.963)		Diesel	RWD	2996	105	143	09.86-09.88	■
300 Turbo-D 4-matic (124.333) (OM 603.960)		Diesel	4WD	2996	105	143	09.86-09.88	■
300 Turbo-D 4-matic (124.333) (OM 603.963)		Diesel	4WD	2996	105	143	09.86-09.88	■
300 Turbo-D (124.133) (OM 603.960)	-12/90	Diesel	RWD	2996	108	147	09.88-06.93	■
300 Turbo-D 4-matic (124.333) (OM 603.963)	-12/90	Diesel	4WD	2996	108	147	01.88-06.93	■
3.4 300 TD SD		Diesel	RWD	3449	110	150	06.91-05.93	■
<b>124 T-Model (S124) 09.85-12.93</b>					<b>Estate (Executive car-E Segment)</b>			
200 T (124.080) (M 102.922)		Gasolina	RWD	1996	80	109	09.85-08.89	■
300 TE (124.090) (M 103.983)		Gasolina	RWD	2960	138	188	01.86-12.89	■
250 TD Turbo (124.188) (OM 602.962)		Diesel	RWD	2497	93	126	03.88-07.93	■
300 TD T		Diesel	RWD	2996	100	136	06.92-05.93	■
<b>190 (W201) 10.82-08.93</b>					<b>Saloon (Compact executive car-D Segment)</b>			
E 2.3-16 (201.034) (M 102.983)		Gasolina	RWD	2298	125	170	09.85-12.87	■
E 2.3-16 (201.034) (M 102.983)		Gasolina	RWD	2298	130	177	09.85-08.88	■
E 2.3-16 (201.034) (M 102.983)		Gasolina	RWD	2298	136	185	04.84-01.87	■
E 2.5-16 Evolution (201.036) (M 102.991)		Gasolina	RWD	2498	143	194	03.89-08.93	■
E 2.5-16 (201.035) (M 102.990)		Gasolina	RWD	2498	150	204	09.88-08.93	■
<b>C-Class (W202) 03.93-05.00</b>					<b>Saloon (Executive car-E Segment)</b>			
C 180 (202.018) (M 111.921)	-12/98	Gasolina	RWD	1799	89	121	11.94-05.00	■
C 180 (202.018) (M 111.920)	01/94-	Gasolina	RWD	1799	90	122	03.93-05.00	■
C 180 (202.018) (M 111.921)	01/94-	Gasolina	RWD	1799	90	122	03.93-05.00	■
C 200 (202.020) (M 111.941)	-12/98	Gasolina	RWD	1998	100	136	01.94-05.00	■
C 200 (202.020) (M 111.945)	-12/98	Gasolina	RWD	1998	100	136	01.94-05.00	■
C 220 (202.022) (M 111.961)	-12/98	Gasolina	RWD	2199	110	150	03.93-05.00	■
C 230 (202.023) (M 111.974)		Gasolina	RWD	2295	110	150	06.96-06.97	■
C 280 (202.028) (M 104.941)		Gasolina	RWD	2799	142	193	05.93-05.00	■
C 200 D (202.120) (OM 601.913)	-12/98	Diesel	RWD	1997	55	75	03.93-05.00	■
C 200 D (202.122) (OM 604.915)	-12/98	Diesel	RWD	1997	65	88	10.96-05.00	■
C 220 D (202.021) (OM 604.910)	-12/98	Diesel	RWD	2155	55	75	07.96-05.00	■
C 220 D (202.121) (OM 604.910)	-12/98	Diesel	RWD	2155	70	95	08.93-05.00	■

# LISTA DE APLICACIONES - BUYERS GUIDE

C 250 D (202.125) (OM 605.910)	-12/97	Diesel	RWD	2497	83	113	05.93-05.00	■
<b>C-Class T-Model (S202) 06.96-03.01</b>					<b>Estate (Compact executive car-D Segment)</b>			
C 230 T (202.083) (M 111.974)		Gasolina	RWD	2295	110	150	06.96-06.98	■
<b>E-Class (C124) 06.93-06.97</b>					<b>Coupe (Executive car-E Segment)</b>			
E 200 (124.040) (M 111.940)	-12/96	Gasolina	RWD	1998	100	136	06.93-06.97	■
E 220 (124.042) (M 111.960)	-12/96	Gasolina	RWD	2199	110	150	06.93-06.97	■
<b>E-Class (W124) 02.93-06.96</b>					<b>Saloon (Executive car-E Segment)</b>			
E 200 (124.019) (M 111.940)		Gasolina	RWD	1998	100	136	06.93-06.95	■
E 220 (124.022) (M 111.960)		Gasolina	RWD	2199	110	150	06.93-06.95	■
E 280 (124.029) (M 104.942)		Gasolina	RWD	2799	142	193	06.93-06.95	■
E 280 (124.028) (M 104.942)		Gasolina	RWD	2799	145	197	06.93-06.95	■
E 300 4-matic (124.230) (M 103.985)		Gasolina	4WD	2960	132	180	06.93-06.95	■
E 200 D (124.120) (OM 601.912)		Diesel	RWD	1997	55	75	06.93-06.95	■
E 250 D (124.126, 124.129) (OM 605.911)		Diesel	RWD	2497	83	113	07.93-06.95	■
E 250 Turbo-D (124.128) (OM 602.962)		Diesel	RWD	2497	93	126	06.93-06.95	■
E 300 D (124.131) (OM 606.910)		Diesel	RWD	2996	100	136	07.93-06.95	■
E 300 Turbo-D (124.133) (OM 603.960)		Diesel	RWD	2996	108	147	06.93-06.95	■
E 300 Turbo-D 4-matic (124.333) (OM 603.963)		Diesel	4WD	2996	108	147	06.93-06.95	■
<b>E-Class T-Model (S124) 06.93-06.96</b>					<b>Estate (Executive car-E Segment)</b>			
E 250 TD (124.186) (OM 605.911)		Diesel	RWD	2497	83	113	06.93-06.96	■
E 250 Turbo D (124.188) (OM 602.962)		Diesel	RWD	2497	93	126	06.93-06.96	■
E 300 TD (124.191) (OM 606.910)		Diesel	RWD	2996	100	136	06.93-06.96	■
E 300 T Turbo-D (124.193) (OM 603.960)		Diesel	RWD	2996	108	147	06.93-06.96	■