

LISTA DE APLICACIONES - BUYERS GUIDE

180552-700

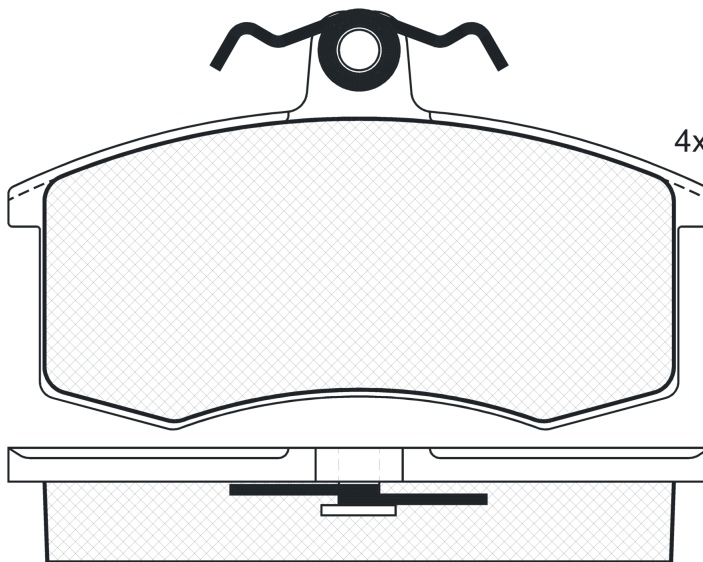


8 424073 052575

Qty: 300

Weight: 1.120

O.E.M.	MAKE
2108-350 1089	LADA
2108-350 1090	ZAZ
2108-350-1099	LADA
2110-035 0108 000	LADA
2110-035 0108 001	LADA
2110-035 0108 900	LADA
41010-5PA0D	DATSUN
41080-5PA0A	DATSUN
41080-5PA0B	DATSUN



180552-700



90R-01111/480



Lucas - Girling

104.3x62.1x17

WVA

20789

21170

MAKE

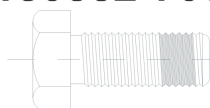
DATSUN

LADA

mitsubishi

ZAZ

180552-700



1-690042



Trac.	CC	Kw	CV
-------	----	----	----



Front / Rear

DATSUN

mi-DO 08.14-

Hatchback (City car-A Segment)

1.6 (HBD0, HBD0R) (16LW)	Gasolina	FWD	1597	64	87	08.14-05.17	■
1.6 (HBD0, HBD0R) (16LW8V)	Gasolina	FWD	1597	64	87	08.14-05.17	■
1.6 (HBD0R) (16LW16V)	Gasolina	FWD	1597	78	106	01.18-	■

on-DO 07.14-

Saloon (City car-A Segment)

1.6 (BD0) (16HW)	Gasolina	FWD	1597	60	82	08.14-05.17	■
1.6 (BD0) (16LW)	Gasolina	FWD	1597	64	87	08.14-05.17	■
1.6 (BD0) (16LW8V)	Gasolina	FWD	1597	64	87	08.14-05.17	■
1.6 (BD0R) (16LW16V)	Gasolina	FWD	1597	78	106	05.17-	■

LADA

110 / VEGA (2110) 01.95-12.12

Saloon (Compact car-C Segment)

1.5 (2110)	Gasolina	FWD	1499	54	73	01.95-12.05	■
1.5 (2111)	Gasolina	FWD	1499	57	78	01.95-12.05	■
1.5 16V (2112)	Gasolina	FWD	1499	70	95	01.95-12.05	■
1.6 (21114)	Gasolina	FWD	1596	60	82	01.00-12.12	■
1.6 (21124)	Gasolina	FWD	1596	66	90	01.00-12.08	■

111 (2111) 01.95-

Estate (Compact car-C Segment)

1.5 (2111)	Gasolina	FWD	1499	56	76	10.00-02.09	■
1.5 (2111)	Gasolina	FWD	1499	57	78	01.96-12.05	■
1.5 16V (2112)	Gasolina	FWD	1499	67	91	10.00-12.05	■
1.5 16V (2112)	Gasolina	FWD	1499	70	95	01.95-08.02	■
1.6 (21114)	Gasolina	FWD	1596	60	82	09.04-02.09	■
1.6 (21124)	Gasolina	FWD	1596	66	90	09.04-12.07	■

LISTA DE APLICACIONES - BUYERS GUIDE

					Hatchback (Compact car-C Segment)				
112 (2112) 01.95-12.11									
1.5		Gasolina	FWD	1499	54	73	01.95-10.00	■	
1.5 (2111)		Gasolina	FWD	1499	56	76	10.00-12.05	■	
1.5 (2111)		Gasolina	FWD	1499	57	78	01.95-09.04	■	
1.5 16V (2112)		Gasolina	FWD	1499	67	91	10.00-12.05	■	
1.5 16V (2112)		Gasolina	FWD	1499	70	95	01.95-09.00	■	
1.6 (21114)		Gasolina	FWD	1596	60	82	01.05-12.11	■	
1.6 (21124)		Gasolina	FWD	1596	66	90	03.06-12.08	■	
GRANTA (2194_) 08.18-					Estate (Supermini car-B Segment)				
1.6 (21941) (11186)		Gasolina	FWD	1597	64	87	08.18-	■	
1.6 (21942) (21126)		Gasolina	FWD	1597	72	98	08.18-	■	
1.6 (21947) (21127)		Gasolina	FWD	1597	78	106	08.18-	■	
GRANTA (2191_) 05.14-					Hatchback (Supermini car-B Segment)				
1.6 (21911) (11186)		Gasolina	FWD	1597	64	87	08.14-	■	
1.6 (21911) (21116)		Gasolina	FWD	1597	64	87	08.14-	■	
1.6 (21921) (11186)		Gasolina	FWD	1597	64	87	08.18-	■	
1.6 (21921) (21116)		Gasolina	FWD	1597	64	87	08.18-	■	
1.6 (21912) (21126)		Gasolina	FWD	1597	72	98	08.14-	■	
1.6 (21922) (21126)		Gasolina	FWD	1597	72	98	08.18-	■	
1.6 (21917) (21127)		Gasolina	FWD	1597	78	106	08.14-	■	
1.6 (21927) (21127)		Gasolina	FWD	1597	78	106	08.18-	■	
GRANTA (2349) 10.11-					Pickup (Supermini car-B Segment)				
1.6		Gasolina	FWD	1597	64	87	10.11-	■	
GRANTA (2190_) 10.11-					Saloon (Supermini car-B Segment)				
1.6 (21906) (11183)		Gasolina	FWD	1597	60	82	10.11-	■	
1.6 (21901) (11186)		Gasolina	FWD	1597	64	87	10.11-	■	
1.6 (21904)		Gasolina	FWD	1597	66	90	04.21-	■	
1.6 (21902) (21126)		Gasolina	FWD	1597	72	98	10.11-	■	
1.6 (21907) (21127)		Gasolina	FWD	1597	78	106	07.13-	■	
1.6 Sport (219059) (21126)		Gasolina	FWD	1597	84	114	04.16-01.19	■	
1.6 Sport (21905) (21126)		Gasolina	FWD	1597	87	118	07.13-09.18	■	
KALINA (1117) 09.04-12.13					Estate (Supermini car-B Segment)				
1.4 16V (11194)		Gasolina	FWD	1390	66	90	11.08-12.13	■	
1.6 16V		Gasolina	FWD	1595	66	90	09.04-	■	
1.6 (21114)		Gasolina	FWD	1597	60	82	10.07-12.13	■	
1.6 (VAZ1110)		Gasolina	FWD	1597	62	84	01.10-12.13	■	
1.6 (21126)		Gasolina	FWD	1597	72	98	10.04-12.13	■	
1.4 16V LPG (11194)		Gasol./Gas (LPG)	FWD	1390	65	88	11.08-12.13	■	
EL		Eléctrico	FWD		60	82	12.12-12.13	■	
KALINA (1119) 10.04-12.13					Hatchback (Supermini car-B Segment)				
1.4 16V (11194)		Gasolina	FWD	1390	66	90	11.08-12.13	■	
1.6 (21114)		Gasolina	FWD	1597	60	82	10.04-12.13	■	
1.6 (VAZ1110)		Gasolina	FWD	1597	62	84	01.10-12.13	■	
1.6 (11186)		Gasolina	FWD	1597	66	90	10.04-12.13	■	
1.6 Sport (11196) (21126)		Gasolina	FWD	1597	72	98	09.06-06.13	■	
1.6 Sport (21126-77)		Gasolina	FWD	1597	87	118	06.13-12.13	■	
1.4 16V LPG (11194)		Gasol./Gas (LPG)	FWD	1390	65	88	11.08-12.13	■	

LISTA DE APLICACIONES - BUYERS GUIDE

KALINA (1118) 09.04-12.13					Saloon (Supermini car-B Segment)			
1.4 16V (11194)		Gasolina	FWD	1390	66	90	09.06-12.13	■
1.6 (11183)		Gasolina	FWD	1597	60	82	10.04-12.13	■
1.6 (21114)		Gasolina	FWD	1597	60	82	10.04-12.13	■
1.6 (VAZ1110)		Gasolina	FWD	1597	62	84	01.10-12.13	■
1.6 (11186)		Gasolina	FWD	1597	66	90	10.04-12.13	■
1.6 (21126)		Gasolina	FWD	1597	72	98	10.04-12.13	■
1.4 16V LPG (11194)		Gasol./Gas (LPG)	FWD	1390	65	88	11.08-12.13	■
KALINA II (2194_) 05.13-					Estate (Supermini car-B Segment)			
1.6 (21941) (11186)		Gasolina	FWD	1596	64	87	11.13-09.18	■
1.6 (21947) (21127)		Gasolina	FWD	1596	78	106	11.13-09.18	■
1.6 (21942, 21947) (21126)		Gasolina	FWD	1597	72	98	11.13-09.18	■
KALINA II (2192_) 05.13-09.19					Hatchback (Supermini car-B Segment)			
1.6 (21126)		Gasolina	FWD	1597	60	82	06.13-09.19	■
1.6 (21921) (11186)		Gasolina	FWD	1597	64	87	06.13-09.18	■
1.6 (21922) (21126)		Gasolina	FWD	1597	72	98	06.13-08.18	■
1.6 (21927) (21127)		Gasolina	FWD	1597	78	106	06.13-09.18	■
1.6 Sport (219259) (21126-79)		Gasolina	FWD	1597	85	116	04.17-08.18	■
1.6 NFR (21126-81)		Gasolina	FWD	1597	100	136	09.16-12.17	■
NOVA / KALINKA / LAIKA / SIGNET / RIVA (2105) 05.81-04.12					Saloon (Compact car-C Segment)			
1.5 L, S	01/92-	Gasolina	FWD	1495	53	72	05.81-	■
PRIORA (2171) 05.09-					Estate (Compact car-C Segment)			
1.6 (21126)		Gasolina	FWD	1597	72	98	10.09-12.15	■
1.6 (21127)		Gasolina	FWD	1597	78	106	02.14-12.15	■
PRIORA (2172) 02.08-					Hatchback (Compact car-C Segment)			
1.6 (21114)		Gasolina	FWD	1597	60	82	12.08-12.13	■
1.6 (21126)		Gasolina	FWD	1597	72	98	12.08-12.15	■
1.6 (21127)		Gasolina	FWD	1597	78	106	02.14-12.15	■
1.6 LPG (21126)		Gasol./Gas (LPG)	FWD	1597	71	96	12.08-12.13	■
PRIORA (2170_) 04.07-					Saloon (Compact car-C Segment)			
1.6 (21114)		Gasolina	FWD	1597	60	82	12.08-12.13	■
1.6 (21116)		Gasolina	FWD	1597	66	90	01.11-12.13	■
1.6 (21126)		Gasolina	FWD	1597	72	98	04.07-07.18	■
1.6 (21127)		Gasolina	FWD	1597	78	106	02.14-07.18	■
1.6 (21703-28) (21128)		Gasolina	FWD	1774	90	122	10.14-08.16	■
1.6 LPG (21126)		Gasol./Gas (LPG)	FWD	1597	71	96	03.09-09.16	■
SAMARA (2108_) 01.86-12.12					Convertible (City car-A Segment)			
1.5 (21083)	-12/95	Gasolina	FWD	1499	50	68	01.92-05.04	■
SAMARA (2113, 2114) 03.97-12.13					Hatchback (City car-A Segment)			
1.5 (21083)		Gasolina	FWD	1499	53	72	08.03-12.13	■
SAMARA / CEVARO (2108, 2109, 2113, 2114) 09.84-12.13					Hatchback (City car-A Segment)			
1100 (BA3 21081)		Gasolina	FWD	1099	39	53	02.88-12.94	■
1300 (BA3 2108)	-12/96	Gasolina	FWD	1288	45	61	09.91-08.99	■
1300 (BA3 2108)		Gasolina	FWD	1288	46	63	06.87-12.96	■
1300 (BA3 2108)		Gasolina	FWD	1288	48	65	01.86-12.94	■
1.5	01/90-	Gasolina	FWD	1495			09.84-	■

LISTA DE APLICACIONES - BUYERS GUIDE

1500 (21083)	-12/95	Gasolina	FWD	1499	50	68	09.91-12.96	■	
1500 (2111)		Gasolina	FWD	1499	52	71	02.95-12.06	■	
1500 (21083)	-12/95	Gasolina	FWD	1499	53	72	09.87-12.96	■	
1500 (21083)	-12/95	Gasolina	FWD	1499	55	75	01.86-12.96	■	
1.5 (2111)	Type 2113/2114	Gasolina	FWD	1499	56	76	04.96-12.13	■	
1.5 (2111)		Gasolina	FWD	1499	59	80	08.03-12.06	■	
1.6 (2113, 2114) (11183)		Gasolina	FWD	1597	60	82	02.09-12.13	■	
SAMARA FORMA / DIVA / SABLE / SAGONA (21099, 2115) 09.87-12.12							Saloon (City car-A Segment)		
1100 (BA3 21081)	-12/96	Gasolina	FWD	1099	39	53	07.91-08.99	■	
1300 (BA3 2108)	-12/96	Gasolina	FWD	1288	45	61	07.91-08.99	■	
1300 (BA3 2108)	-12/96	Gasolina	FWD	1288	46	63	05.90-08.99	■	
1300 (BA3 2108)	-12/96	Gasolina	FWD	1288	48	65	05.89-07.97	■	
1300 (BA3 21115)	-12/97	Gasolina	FWD	1288	50	68	06.95-12.06	■	
1.5 L	01/92-	Gasolina	FWD	1495	48	65	09.87-	■	
1500 (21083)		Gasolina	FWD	1499	50	68	07.91-12.96	■	
1500 (2111)	-12/96	Gasolina	FWD	1499	52	71	11.94-12.06	■	
1500 (21083)		Gasolina	FWD	1499	53	72	09.91-12.96	■	
1.5 (2111)		Gasolina	FWD	1499	59	80	08.03-12.06	■	
1.6 (11183)		Gasolina	FWD	1597	60	82	02.09-12.12	■	
MITSUBISHI									
VERADA III (KW) 10.04-07.05							Saloon (Executive car-E Segment)		
3.5		Gasolina	FWD	3497	154	209	10.04-07.05	■	
ZAZ									
TAVRIJA (1102) 01.87-12.07							Hatchback (Compact car-C Segment)		
1.1 (MEMZ-245)	-12/91	Gasolina	FWD	1091	37	50	01.89-12.07	■	
1.2 S (MEMZ-2457)		Gasolina	FWD	1197	43	58	02.87-12.07	■	
1.3 (MEMZ-310)	-12/91	Gasolina	FWD	1254	44	60	01.89-12.07	■	