

# LISTA DE APLICACIONES - BUYERS GUIDE

## 180600

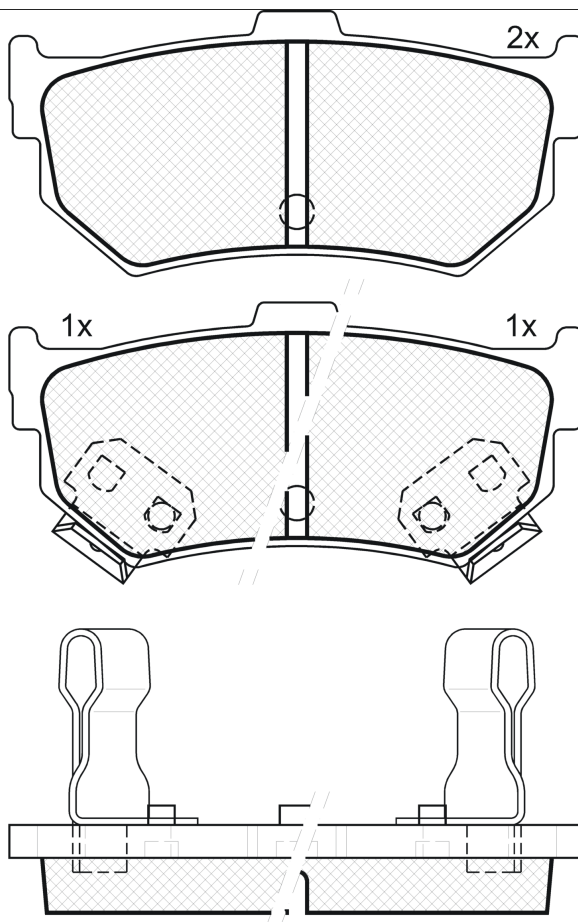


8 424073 009265

Qty: 944

Weight: 576

O.E.M.	MAKE
43022-SA5-506	HONDA
43022-SF1-S00	HONDA
55800-64810	SUZUKI
55800-64820	SUZUKI
55800-64821	SUZUKI
55800-64B20	SUZUKI
55860-64B00	SUZUKI
55870-64B00	SUZUKI



## 180600



Akebono

85.21x39.2x13

WVA	FMSI
21043	D277-7180
21401	
21407	

MAKE
HONDA
SUZUKI



Trac.	CC	Kw	CV
-------	----	----	----



Front / Rear

### HONDA

PRELUDE II (AB) 01.83-09.87							Coupe (Sport compact car-C Segment)		
1.8 EX (AAB) (ET2)		Gasolina	FWD	1829	77	105	11.83-04.87		■
1.8 EX (AAB) (ET3)		Gasolina	FWD	1829	77	105	11.83-04.87		■
2.0 i		Gasolina	FWD	1955	85	116	01.86-09.87		■
PRELUDE III (BA) 04.86-11.96							Coupe (Sport compact car-C Segment)		
2.0 EX (BA4) (B20A3)	-12/88	Gasolina	FWD	1958	80	109	04.87-01.92		■
2.0 (BA4) (B20A4)	-12/88	Gasolina	FWD	1958	84	114	08.87-01.92		■
2.0 i EX 16V (BA4)	-12/88	Gasolina	FWD	1958	106	144	10.87-12.91		■
2.0 i EX 16V (BA5) (B20A7)	-12/88	Gasolina	FWD	1958	110	150	10.87-12.90		■

### SUZUKI

SWIFT II / CULTUS (EA, MA) 03.89-12.05							Hatchback (Supermini car-B Segment)		
1.3 (SF413) (G13BB)		Gasolina	FWD	1298	63	86	06.01-12.03		■
1.3 GTi (SF413, AA34) (G13B)	-12/96	Gasolina	FWD	1298	74	101	03.89-05.01		■
SWIFT / CULTUS / SA 310 (AA) 10.83-12.89							Hatchback (Supermini car-B Segment)		
1.3 GTi/GXi (SA413, AA33) (G13B)	01/86-	Gasolina	FWD	1298	74	101	08.85-03.89		■