

# LISTA DE APLICACIONES - BUYERS GUIDE

**180609**

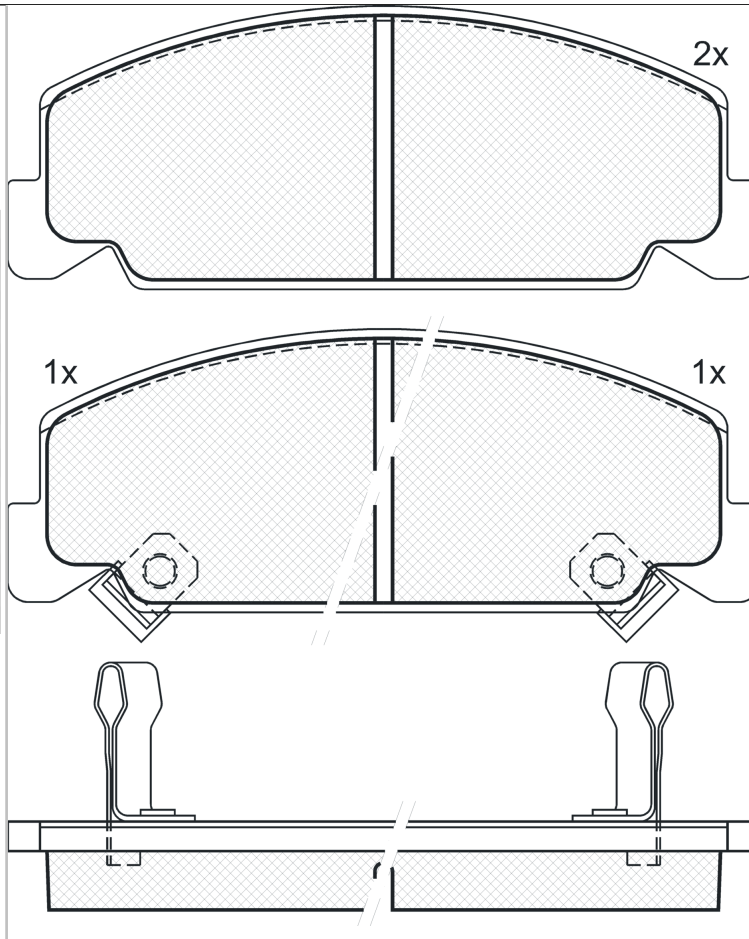


8 424073 009319

Qty: 300

Weight: 1.210

O.E.M.	MAKE
45022-SA3-31126	HONDA
45022-SA3-G10	HONDA
45022-SA6-600	HONDA
45022-SA6-670	HONDA
45022-SA6-671	HONDA
45022-SA6-672	HONDA
45022-SA6-N50	HONDA
45022-SAG-600	HONDA
45022-SH3-A01	HONDA
45022-SH3-A02	HONDA
45022-SH3-G10	HONDA
45022-SH3-G11	HONDA
45022-SH3-G12	HONDA
45022-SH3-G13	HONDA
45022-SH3-G14	HONDA



**180609**



Akebono

127.48x48.1x15

WVA	FMSI
21330	D474-7355
21331	
21332	
MAKE	
HONDA	



Trac.	CC	Kw	CV
-------	----	----	----



Front / Rear

## HONDA

ACCORD II (AC, AD) 09.83-10.85							Hatchback (Executive car-E Segment)		
1.6 EX (AC) (EZ)		Gasolina	FWD	1598	65	88	09.83-10.85	■	
1.8 EX (AD) (ET1)	01/84-	Gasolina	FWD	1829	74	101	09.83-10.85	■	
ACCORD II (AC, AD) 09.83-10.85							Saloon (Executive car-E Segment)		
1.6 EX (AC) (EZ)		Gasolina	FWD	1598	65	88	09.83-10.85	■	
1.8 EX (AD) (ET1)	01/84-	Gasolina	FWD	1829	74	101	09.83-10.85	■	
ACCORD III Aerodeck (CA) 11.85-12.89							Estate (Executive car-E Segment)		
1.6 L (CA4) (A16A1)		Gasolina	FWD	1598	65	88	11.85-12.89	■	
CIVIC V Shuttle (EE, EF) 01.88-02.95							Estate (Supermini car-B Segment)		
1.4 i 16V (EE1) (D14A1)	-12/90	Gasolina	FWD	1396	66	90	01.88-12.92	■	
1.5 i 16V (EE2) (D15B2)		Gasolina	FWD	1493	69	94	01.88-11.91	■	