

# LISTA DE APLICACIONES - BUYERS GUIDE

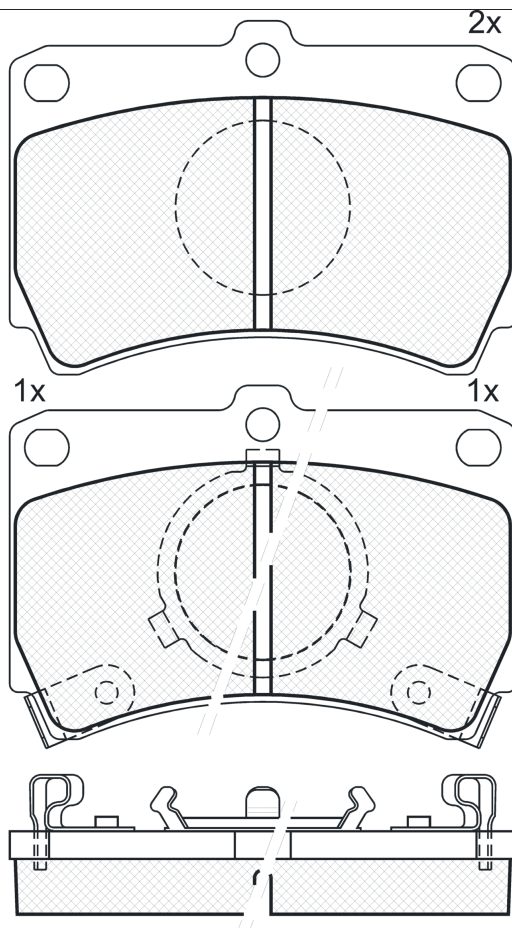
## 180611



Qty: 300

Weight: 1.180

O.E.M.	MAKE
B0953328Z	MAZDA
B571-33-23Z	MAZDA
BG34-49-280A	MAZDA
BG35-49-280	MAZDA
BG35-49-28ZA	FORD USA
BL53-33-28Z	MAZDA
BL53-33-28Z9A	MAZDA



## 180611



Sumitomo

91.6x64.1x15

WVA	FMSI
20039	D319-7219
20041	
21277	
21281	

MAKE
FORD
FORD ASIA & OCEANIA
MAZDA
MERCURY



Trac.	CC	Kw	CV		
Front / Rear					

### FORD

#### CAPRI IV 01.87-

#### Coupe (Pony car-F Segment)

Model	Year	Fuel	Trac.	CC	Kw	CV	WVA	FMSI
Barchetta 2DR	01/92-	Gasolina	FWD				01.87-	■
Clubsprint	01/92-	Gasolina	FWD				01.87-	■
1.6	01/90-	Gasolina	FWD	1595	76	104	01.87-	■
1.6 Turbo XR2	01/90-	Gasolina	FWD	1595	96	131	01.87-	■

#### METEOR I-III 03.83-08.95

#### Saloon (Compact car-C Segment)

GC, GL	01/85-	Gasolina	FWD				03.83-	■
GC, GL	01/85-	Gasolina	FWD				03.83-	■

### FORD ASIA & OCEANIA

#### LASER II (BA\_3, BF\_3, BF\_4, BG\_3, BJ\_4) 05.86-11.03

#### Hatchback (Compact car-C Segment)

KC, L, GL TX3	01/85-	Gasolina	FWD				05.86-	■
KE	01/87-	Gasolina	FWD				05.86-	■

### MAZDA

#### 323 IV-V / FAMILIA (BD) 06.80-10.89

#### Hatchback (Compact car-C Segment)

1.6 (BD106)		Gasolina	FWD	1597	63	86	06.86-03.87	■
-------------	--	----------	-----	------	----	----	-------------	---

#### 323 IV-V / FAMILIA / GLC (BD) 10.80-10.89

#### Saloon (Compact car-C Segment)

1.3 (BD103) (B335)		Gasolina	FWD	1324	50	68	04.87-05.89	■
1.6 GLX (B68)		Gasolina	FWD	1597	54	73	06.86-03.87	■

#### 323 V\_VII / FAMILIA Station Wagon (BW) 01.86-10.98

#### Estate (Compact car-C Segment)

1.3 (BW103) (E3)		Gasolina	FWD	1296	44	60	07.86-04.90	■
1.3 (B335)		Gasolina	FWD	1324	50	68	01.86-06.87	■
1.3 (B335)		Gasolina	FWD	1324	52	71	01.86-06.87	■

# LISTA DE APLICACIONES - BUYERS GUIDE

1.5 LX		Gasolina	FWD	1490	50	68	01.86-06.87	■	
1.5 (BW5W, BW105) (B50)		Gasolina	FWD	1490	55	75	05.86-05.89	■	
1.5 (BW5W, BW105) (B53)		Gasolina	FWD	1490	55	75	05.86-05.89	■	
1.5 (BW5W, BW105) (E5)		Gasolina	FWD	1490	55	75	05.86-05.89	■	
1.5 (BW105) (B5)		Gasolina	FWD	1498	54	73	01.87-05.89	■	
1.5 (BW105) (B50)		Gasolina	FWD	1498	54	73	01.87-05.89	■	
1.5 (BW105) (B53)		Gasolina	FWD	1498	54	73	01.87-05.89	■	
1.5 (BW105) (B5)		Gasolina	FWD	1498	55	75	09.89-09.91	■	
1.6 (BW106) (B68)		Gasolina	FWD	1597	54	73	09.87-10.89	■	
1.6 (BW106) (B6 (SOHC))	01/87-	Gasolina	FWD	1597	63	86	09.86-10.95	■	
1.6 (BW106) (B65M)	01/87-	Gasolina	FWD	1597	63	86	09.86-10.95	■	
1.6 (BW106) (B6E)	01/87-	Gasolina	FWD	1597	63	86	09.86-10.95	■	
1.6 (BW106) (B65M)		Gasolina	FWD	1597	63	86	09.92-10.95	■	
1.6 4x4 (BWMR) (B65M)		Gasolina	4WD	1597	63	86	05.90-03.93	■	
1.6 4x4 (BWMR) (B6E)		Gasolina	4WD	1597	63	86	05.90-03.93	■	
1.7 D (BW7W) (PN26)		Diesel	FWD	1720	40	54	11.86-08.87	■	
1.7 D (BW7W) (PN26)		Diesel	FWD	1720	41	56	10.89-03.93	■	
1.7 D (BW7W) (PN54)		Diesel	FWD	1720	41	56	10.89-03.93	■	
1.7 D (BW7W) (PN26)		Diesel	FWD	1720	42	57	11.86-10.89	■	
1.7 D (BW7W) (PN54)		Diesel	FWD	1720	42	57	11.86-10.89	■	
<b>323 V-VI / ETUDE / FAMILIA (BF) 08.85-07.04</b>							<b>Hatchback (Compact car-C Segment)</b>		
1.1 (E1)		Gasolina	FWD	1071	40	54	09.85-10.89	■	
1.3 (BF103) (E3)		Gasolina	FWD	1296	44	60	09.85-12.87	■	
1.3 (BF103) (E3)		Gasolina	FWD	1296	50	68	09.85-03.87	■	
1.3 (B315)		Gasolina	FWD	1323	50	68	04.87-05.89	■	
1.3 (BF103) (B3)		Gasolina	FWD	1324	44	60	09.87-10.89	■	
1.3 i (B3E)		Gasolina	FWD	1324	49	67	09.85-08.89	■	
1.5 (BF5S) (E5)		Gasolina	FWD	1490	55	75	08.85-05.89	■	
1.5 i (BF5S) (E5E3)		Gasolina	FWD	1490	70	95	08.85-05.89	■	
1.5 i Turbo (BF5S) (E5E2)		Gasolina	FWD	1490	85	115	08.85-05.89	■	
1.5 (BF105) (B5)		Gasolina	FWD	1498	54	73	09.87-10.89	■	
1.6 (BF106) (B68)		Gasolina	FWD	1597	54	73	09.87-10.89	■	
1.6 GT (BF106) (B6 (SOHC))		Gasolina	FWD	1597	63	86	09.87-10.89	■	
1.6 GT (BF106) (B6 (SOHC))	-12/88	Gasolina	FWD	1597	77	105	08.85-08.93	■	
1.6 4WD (BFMR) (B6T)		Gasolina	4WD	1597	100	136	06.86-03.87	■	
1.6 GT Turbo (BF1) (B6T)	-12/91	Gasolina	FWD	1597	103	140	10.85-08.93	■	
1.6 GT Turbo 4WD (BF2) (B6T)		Gasolina	4WD	1597	103	140	10.87-11.91	■	
1.6 GT Turbo 4WD (BF2) (B6F2)		Gasolina	4WD	1597	110	150	08.87-10.89	■	
1.7 D (BF7S) (PN27)		Diesel	FWD	1720	40	54	04.86-05.89	■	
1.7 D (BF7S) (PN46)		Diesel	FWD	1720	42	57	01.87-05.89	■	
<b>323 V-VI / ETUDE / FAMILIA (BF) 08.85-07.04</b>							<b>Saloon (Compact car-C Segment)</b>		
1.1 (E1)	-12/89	Gasolina	FWD	1071	40	55	08.85-04.90	■	
1.3 (BF103) (E3)		Gasolina	FWD	1296	44	60	08.85-05.89	■	
1.3 (BF103) (B3)		Gasolina	FWD	1324	44	60	04.87-07.89	■	
1.3 (BF103) (B315)		Gasolina	FWD	1324	50	68	04.87-05.89	■	
1.5 (BF5S) (E5)		Gasolina	FWD	1490	55	75	08.85-05.89	■	
1.5 i (BF5S) (E5E3)		Gasolina	FWD	1490	70	95	08.85-05.89	■	
1.5 i Turbo (BF5S) (E5E2)		Gasolina	FWD	1490	85	115	08.85-05.89	■	
1.5 (BF105) (B5)		Gasolina	FWD	1498	54	73	09.87-10.89	■	
1.6 GLX (B68)		Gasolina	FWD	1597	54	73	06.86-03.87	■	

## LISTA DE APLICACIONES - BUYERS GUIDE

1.6 GT (BFMP) (B6 (SOHC))	01/87-	Gasolina	FWD	1597	63	85	11.86-10.89	■	
1.6 GT (BFMP) (B6 (SOHC))		Gasolina	FWD	1597	77	105	01.86-12.88	■	
1.6 GT Turbo (BFMP) (B6T)		Gasolina	FWD	1597	103	140	10.85-11.91	■	
1.7 D (BF7P) (PN27)		Diesel	FWD	1720	40	54	09.86-05.89	■	
1.7 D (BF7P) (PN46)		Diesel	FWD	1720	42	57	01.87-05.89	■	
<b>FAMILIA 01.85-</b>							<b>Hatchback (Compact car-C Segment)</b>		
1.1	01/85-	Gasolina	FWD	1090	37	50	01.85-	■	
1.3	01/87-	Gasolina	FWD	1295	49	66	01.85-	■	
<b>MERCURY</b>									
<b>CAPRI III (U.S.A.) 09.90-12.94</b>							<b>Convertible (Pony car-F Segment)</b>		
1.6		Gasolina	FWD	1598	75	102	09.90-12.94	■	
<b>CAPRI III 01.90-</b>							<b>Coupe (Pony car-F Segment)</b>		
1.6	01/90-	Gasolina	FWD	1595	76	104	01.90-	■	
1.6 Turbo	01/90-	Gasolina	FWD	1595	99	135	01.90-	■	