

LISTA DE APLICACIONES - BUYERS GUIDE

180672

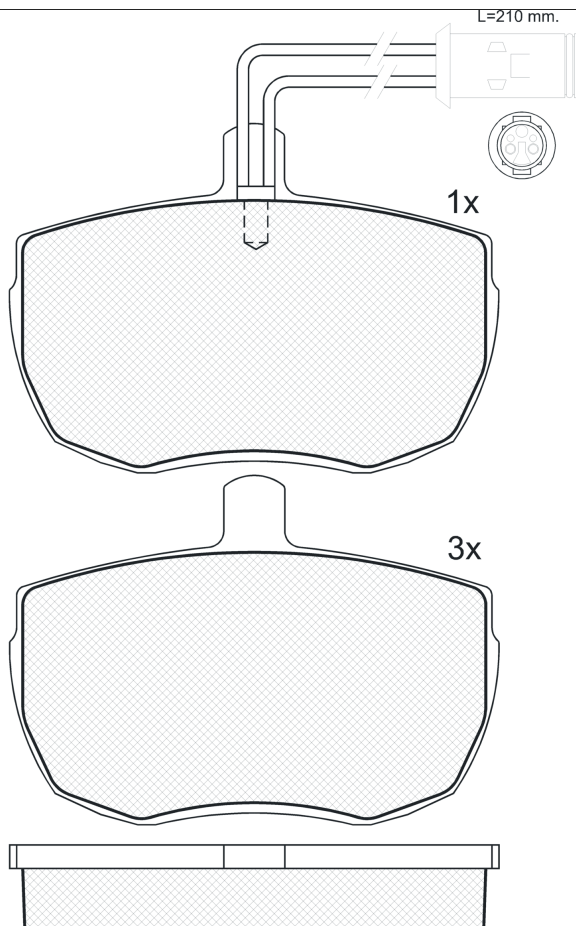


8 424073 009661

Qty: 300

Weight: 1.500

O.E.M.	MAKE
0060 796 399 9	ALFA ROMEO
7 663 999	ALFA ROMEO
7 963 999	ROVER
86 60 004 772	RENAULT
86 71 016 765	RENAULT
GBP287	ROVER
GBP90287	LDV
GBP90290	ROVER
GBP90292	CARBODIES
RTC-4518	LAND ROVER
SFP500220	LAND ROVER
STC-8568	LAND ROVER
STC-9146	LAND ROVER
STC-9186	LAND ROVER
STC-9187	LAND ROVER



180672



AP-Lockheed

104.9x74.7x18

WVA	FMSI
20359	D519-7400
20608	
21160	
21480	

MAKE
ALFA ROMEO
CARBODIES
FORD
IVECO
LAND ROVER
LDV
LTi
OM
ROVER



Trac.	CC	Kw	CV
-------	----	----	----



Front / Rear

ALFA ROMEO

AR 8 (280_) 04.78-12.89	Platform/Chassis (LCVs-N1 Segment)							
2.4 D (280) (8140.61.200)	01/85-	Diesel	FWD	2445	53	72	04.78-08.86	■
2.4 TD (280) (8140.21.200 D.I.)	01/86-	Diesel	FWD	2445	68	92	04.85-12.88	■
2.5 D (280) (8144.67.220)		Diesel	FWD	2499	55	75	09.86-12.89	■

AR 8 (280_) 04.78-12.89	Van (LCVs-N1 Segment)							
2.4 D (280) (8140.61.200)	01/85-	Diesel	FWD	2445	53	72	04.78-08.86	■
2.4 TD (280) (8140.21.200 D.I.)	01/86-	Diesel	FWD	2445	68	92	04.85-12.89	■
2.5 D (280) (8144.67.220)		Diesel	FWD	2499	55	75	09.86-12.89	■

CARBODIES

FX FAIRWAY 01.87-12.96	Saloon (Taxicabs-M1 Segment)							
2.7 TD (TD27)	01/96-	Diesel	RWD	2663	63	86	01.87-12.96	■

FORD

TRANSIT III (T_) 10.85-09.92	Bus (Minibus-M2-Segment)							
2.0 L (NAW)	01/89-	Gasolina	RWD	1993	56	76	10.85-03.91	■
2.0 L (NAX)	01/89-	Gasolina	RWD	1993	56	76	10.85-03.91	■
2.0 (N6TS)	01/89-	Gasolina	RWD	1993	60	82	10.85-03.91	■
2.0 (TBS, TCL, TCS, TEL, TES) (NAT)	01/89-	Gasolina	RWD	1994	57	78	11.85-09.92	■
2.0 (TBS, TCL, TCS, TEL, TES) (NAV)	01/89-	Gasolina	RWD	1994	57	78	11.85-09.92	■
2.5 D (TBS, TCL, TCS, TEL, TES) (4AB)	01/88-	Diesel	RWD	2496	50	68	12.85-01.89	■
2.5 D (TBS, TEL, TES) (4BA)	01/89-	Diesel	RWD	2496	52	71	09.88-09.92	■
2.5 D (TBS, TEL, TES) (4CA)	01/89-	Diesel	RWD	2496	52	71	09.88-09.92	■

LISTA DE APLICACIONES - BUYERS GUIDE

					Platform/Chassis (LCVs-N1 Segment)				
TRANSIT III (T_) 10.85-09.92									
1.6	01/85-	Gasolina	FWD	1598	62	84	01.78-12.88	■	
2.0 Cat (TUL) (N6T)	01/88-	Gasolina	RWD	1993	57	78	11.85-09.92	■	
2.0 (TTE, TTL, TTS) (NAT)		Gasolina	RWD	1994	57	78	01.86-09.92	■	
2.0 (TTE, TTL, TTS) (NAV)		Gasolina	RWD	1994	57	78	01.86-09.92	■	
2.5 D (TTL, TTS, TUL, TUS, TTE) (4AB)	01/88-	Diesel	RWD	2496	50	68	01.86-01.89	■	
2.5 DI (TTE, TTL, TTS, TUL) (4BA)	01/89-	Diesel	RWD	2496	52	71	09.88-09.92	■	
2.5 DI (TTE, TTL, TTS, TUL) (4BB)	01/89-	Diesel	RWD	2496	52	71	09.88-09.92	■	
2.5 DI (TTE, TTL, TTS, TUL) (4CA)	01/89-	Diesel	RWD	2496	52	71	09.88-09.92	■	
2.5 DI (TTE, TTL, TTS, TUL) (4CB)	01/89-	Diesel	RWD	2496	52	71	09.88-09.92	■	
TRANSIT III (T_) 09.85-09.92					Van (LCVs-N1 Segment)				
1.6 (TAS) (LAT)	01/89-	Gasolina	RWD	1593	46	63	09.85-09.92	■	
1.6 (L3C)		Gasolina	RWD	1598	62	84	10.85-07.87	■	
2.0 (NAW)		Gasolina	RWD	1993	56	76	10.85-03.91	■	
2.0 (NAX)		Gasolina	RWD	1993	56	76	10.85-03.91	■	
2.0		Gasolina	RWD	1993	60	82	10.85-03.91	■	
2.0 (TAL, TAS, TGL, TWS) (NAT)		Gasolina	RWD	1994	57	78	09.85-09.92	■	
2.0 (TAL, TAS, TGL, TWS) (NAV)		Gasolina	RWD	1994	57	78	09.85-09.92	■	
2.5 D (TAL, TAS, TGL, TWS) (4AB)	01/88-	Diesel	RWD	2496	50	68	01.86-09.91	■	
2.5 D (TAL, TAS, TGL, TWS) (4BA)	01/89-	Diesel	RWD	2496	52	71	10.88-09.91	■	
2.5 D (TAL, TAS, TGL, TWS) (4CA)	01/89-	Diesel	RWD	2496	52	71	10.88-09.91	■	
IVECO									
					Platform/Chassis (LCVs-N1 Segment)				
DAILY II 01.89-05.99									
30-8 (12910211, 12911111, 12911112, 12911117, 12911131,... (8140.07)	01/96-	Diesel	RWD	2499	55	75	01.92-08.98	■	
30-8 (12910211, 12911111, 12911112, 12911117, 12911131,...	01/96-	Diesel	RWD	2499	55	75	01.92-08.98	■	
30-8 (10011131, 10011132, 10011231, 10011232, 10011237,... (8140.67F.)	01/96-	Diesel	RWD	2499	60	82	01.92-08.98	■	
30-8 (12910211, 12911111, 12911112, 12911117, 12911131,... (8140.67F.)	01/96-	Diesel	RWD	2499	60	82	01.92-08.98	■	
30-8 (12910211, 12911111, 12911112, 12911117, 12911131,...	01/96-	Diesel	RWD	2499	60	82	01.92-08.98	■	
DAILY II 01.89-08.09					Van (LCVs-N1 Segment)				
30-8 (12914111, 12914112, 12914117, 12914131, 12914137,... (8140.07)	01/96-	Diesel	RWD	2499	55	75	01.89-08.98	■	
30-8 (12914111, 12914112, 12914117, 12914131, 12914137,... (8140.07)	01/96-	Diesel	RWD	2499	55	75	01.89-08.98	■	
30-8	01/96-	Diesel	RWD	2499	60	82	01.89-08.98	■	
30-8 (12914111, 12914112, 12914117, 12914131, 12914137,... (8140.67F.)	01/96-	Diesel	RWD	2499	60	82	01.89-08.98	■	
30-8 (14914111, 14914117, 14914211, 14914217, 14915111,... (8140.67F.)	01/96-	Diesel	RWD	2499	60	82	01.89-08.98	■	
LAND ROVER									
					Closed Off-Road Vehicle (Executive SUV-J Segment)				
DISCOVERY (LJ) 06.89-12.98									
2.0 16V 4x4 (20 T4H)	ch. - KA034313	Gasolina	4WD	1994	99	135	06.89-10.98	■	
3.5 4x4 (27G)		Gasolina	4WD	3528	84	114	11.89-09.90	■	
3.5 4x4 (15G)		Gasolina	4WD	3528	98	133	06.89-08.90	■	
3.5 4x4 (SALLJG) (22 D)	ch. - KA034313	Gasolina	4WD	3531	113	154	06.89-06.94	■	
3.5 4x4 (22 D)		Gasolina	4WD	3531	122	166	06.89-06.94	■	
4.0 4x4 (35 D)	ch. - KA034313	Gasolina	4WD	3947	134	182	09.93-10.98	■	
4.0 4x4 (36 D)	ch. - KA034313	Gasolina	4WD	3947	134	182	09.93-10.98	■	
4.0 4x4 (37 L)		Gasolina	4WD	3947	136	185	09.93-10.98	■	
2.5 TDI 4x4 (12 L)	ch. - KA034313	Diesel	4WD	2495	83	113	10.89-10.98	■	

LISTA DE APLICACIONES - BUYERS GUIDE

2.5 TDI 4x4 (17 L)	ch. - KA034313	Diesel	4WD	2495	83	113	10.89-10.98	■	
2.5 TDI 4x4 (19 L)	ch. - KA034313	Diesel	4WD	2495	83	113	10.89-10.98	■	
2.5 TDI 4x4 (21 L)	ch. - KA034313	Diesel	4WD	2495	83	113	10.89-10.98	■	
2.5 TDI 4x4 (17 L)		Diesel	4WD	2495	90	122	06.93-10.98	■	
2.5 TDI 4x4 (19 L)		Diesel	4WD	2495	90	122	06.93-10.98	■	
2.5 TDI 4x4 (22 L)		Diesel	4WD	2495	90	122	06.93-10.98	■	
RANGE ROVER I 10.69-04.96					Closed Off-Road Vehicle (Executive SUV-J Segment)				
3.5 Vogue 4x4 (11 D)	01/85-	Gasolina	4WD	3528	93	126	08.81-09.90	■	
3.5 4x4 (11 D)	-12/89	Gasolina	4WD	3528	96	131	10.69-08.91	■	
3.5 4x4 (31 D)		Gasolina	4WD	3528	107	146	01.87-09.90	■	
3.5 Vogue 4x4 (24 D)	ch. - (V)FA399972	Gasolina	4WD	3528	120	163	10.85-09.90	■	
3.5 Vogue 4x4 (25 D)	ch. - (V)FA399972	Gasolina	4WD	3528	120	163	10.85-09.90	■	
3.9 Cat 4x4 (37 D)	ch. - (V)FA399972	Gasolina	4WD	3947	127	173	11.88-07.94	■	
3.9 Cat 4x4 (38 D)	ch. - (V)FA399972	Gasolina	4WD	3947	127	173	11.88-07.94	■	
3.9 Vogue SEI 4x4 (35 D)	ch. - (V)FA399972	Gasolina	4WD	3947	134	182	11.88-07.94	■	
3.9 Vogue SEI 4x4 (36 D)	ch. - (V)FA399972	Gasolina	4WD	3947	134	182	11.88-07.94	■	
2.4 TD 4x4 (11 A)	ch. - (V)FA399972	Diesel	4WD	2393	78	106	04.86-12.90	■	
LDV									
FREIGHT ROVER SHERPA 07.84-03.89					Bus (Minibus-M2-Segment)				
3.5		Gasolina	RWD	3528	103	140	07.84-03.89	■	
LTI									
TX 01.97-					Hatchback (Taxicabs-M1 Segment)				
2.4 TDi (D2FA)		Diesel	RWD	2402	66	90	10.02-	■	
2.7 TD (TD27)	-12/02	Diesel	RWD	2664	60	82	01.97-	■	
OM									
DAILY I 01.78-					Van (LCVs-N1 Segment)				
2.4 30- 7 GRINTA D	01/86-	Diesel	RWD	2395	53	72	01.78-	■	
2.4 30- 8 GRINTA D	01/86-	Diesel	RWD	2395	53	72	01.78-	■	
2.4 30- 8 V/C GRINTA D	01/86-	Diesel	RWD	2395	53	72	01.78-	■	
2.4 32- 7 GRINTA D	01/86-	Diesel	RWD	2395	53	72	01.78-	■	
2.4 32- 8 GRINTA D	01/86-	Diesel	RWD	2395	53	72	01.78-	■	
2.4 35- 8 GRINTA D	01/86-	Diesel	RWD	2395	53	72	01.78-	■	
2.4 35- 8 V/C GRINTA D	01/86-	Diesel	RWD	2395	53	72	01.78-	■	
2.4 35-10 GRINTA D	01/86-	Diesel	RWD	2395	68	92	01.78-	■	
2.4 35-10 V/C GRINTA D	01/86-	Diesel	RWD	2395	68	92	01.78-	■	
2.5 30- 8 GRINTA D	01/89-	Diesel	RWD	2495	54	74	01.78-	■	
2.5 30- 8 V/C GRINTA D	01/89-	Diesel	RWD	2495	54	74	01.78-	■	
ROVER									
2000-3500 01.64-					Hatchback (Luxury car-F Segment)				
2.0 2000	01/76-	Gasolina	FWD	1995	83	113	01.64-	■	
2300	01/84-	Gasolina	RWD	2350	92	125	09.77-10.86	■	
2600 S (12 C)		Gasolina	RWD	2597	93	126	10.82-10.86	■	
2600 S (13 C)		Gasolina	RWD	2597	93	126	10.82-10.86	■	
2.7 2700 Vitesse	01/84-	Gasolina	FWD	2695	125	170	01.64-	■	
3.5 3500	01/76-	Gasolina	FWD	3495	104	141	01.64-	■	
3500 (38 A)	01/84-	Gasolina	RWD	3528	115	156	06.76-10.86	■	
3500 (39 A)	01/84-	Gasolina	RWD	3528	115	156	06.76-10.86	■	
3500 Vitesse (30 A)	01/84-	Gasolina	RWD	3528	142	193	10.82-10.86	■	
3500 Vitesse (31 A)	01/84-	Gasolina	RWD	3528	142	193	10.82-10.86	■	

LISTA DE APLICACIONES - BUYERS GUIDE

2400 TD (HR 492 HT)	01/84-	Diesel	RWD	2393	67	91	05.82-10.86	■
---------------------	--------	--------	-----	------	----	----	-------------	---