

LISTA DE APLICACIONES - BUYERS GUIDE

180685

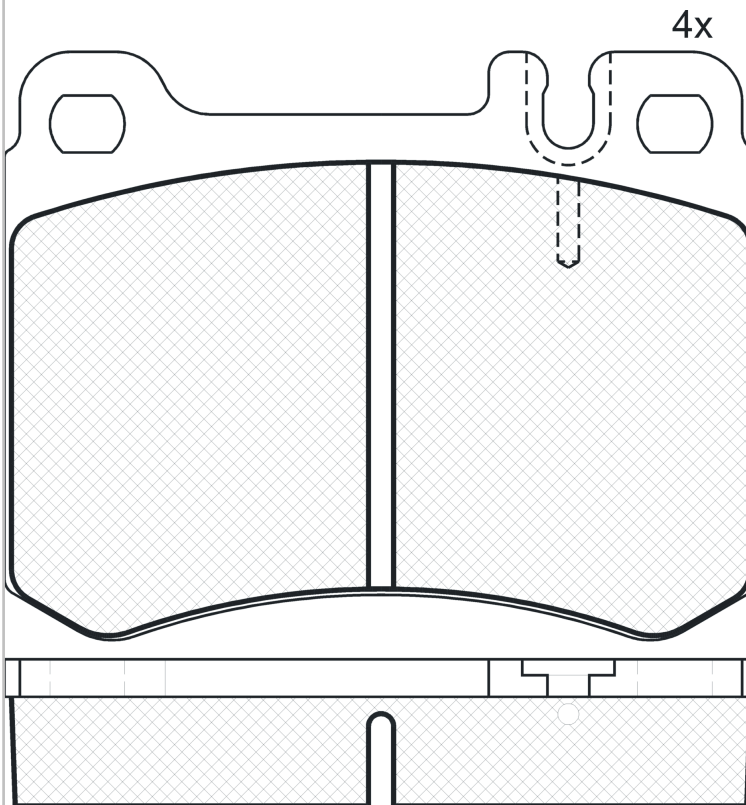


8 424073 009746

Qty: 300

Weight: 1.360

O.E.M.	MAKE
001 420 03 20	MERCEDES-BENZ
001 420 08 20	MERCEDES-BENZ
001 420 76 20	MERCEDES-BENZ
001 420 85 20	MERCEDES-BENZ



180685



Ate - Teves

89.65x70.2x17.5

WVA	FMSI
21024	D424-7312
MAKE	
LAMBORGHINI	
MERCEDES-BENZ	



Trac.	CC	Kw	CV
-------	----	----	----



Front / Rear

LAMBORGHINI

DIABLO 01.90-	Coupe (Sports car-S Segment)
5.7	Gasolina RWD 5707 361 491 03.90-01.99 ■
VT A las 4 ruedas	Gasolina 4WD 5707 361 492 01.90-08.98 ■

MERCEDES-BENZ

SL-Class III (R107) 05.71-12.89	Convertible (Executive car-E Segment)
300 SL (107.041) (M 103.982)	Gasolina RWD 2960 132 180 09.85-08.89 ■
300 SL (107.041) (M 103.982)	Gasolina RWD 2960 138 188 09.85-08.89 ■
4.2 420 SL	01/85- Gasolina FWD 4195 150 204 05.71- ■
4.2 420 SL	01/85- Gasolina FWD 4195 160 218 05.71- ■
420 SL (107.047) (M 116.964)	Gasolina RWD 4196 150 204 01.86-08.89 ■
420 SL (107.047) (M 116.964)	Gasolina RWD 4196 160 218 01.86-08.89 ■
500 SL (107.046) (M 117.964)	Gasolina RWD 4973 164 223 01.86-08.89 ■
500 SL (107.046) (M 117.960)	Gasolina RWD 4973 180 245 01.86-08.89 ■
500 SL (107.046) (M 117.964)	Gasolina RWD 4973 180 245 01.86-08.89 ■
5.0 500 SL	Gasolina FWD 4973 195 265 10.87-09.89 ■
5.0 500 SL	01/86- Gasolina FWD 4995 164 223 05.71- ■
5.0 500 SL	01/86- Gasolina FWD 4995 180 245 05.71- ■
560 SL (107.048) (M 117.967)	Gasolina RWD 5547 169 230 09.85-12.89 ■
560 SL (107.048)	Gasolina RWD 5547 178 242 01.86-12.89 ■