

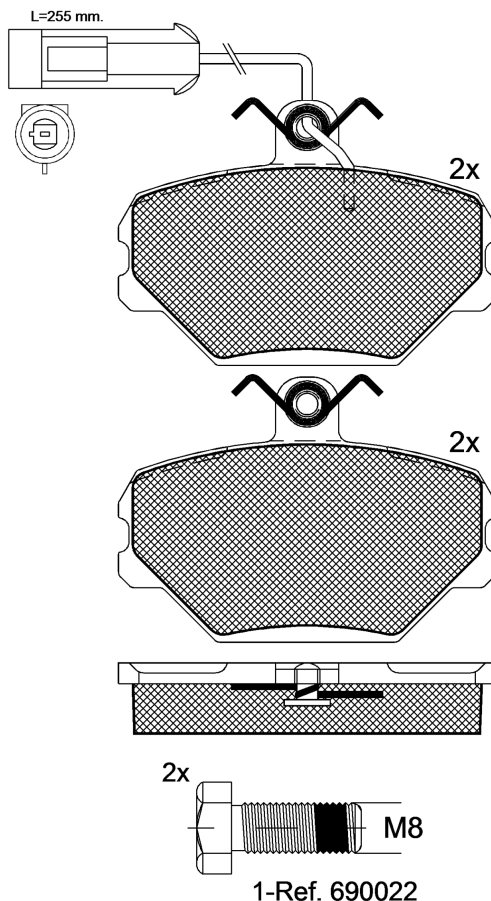
LISTA DE APLICACIONES - BUYERS GUIDE

180729-700

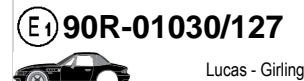


Qty: 300 Weight: 995

O.E.M.	MAKE
5 888 781	FIAT
5 892 330	LANCIA
7 177 095 1	FIAT
792 588	LANCIA
793 120	LANCIA
793 382	FIAT
793323	FIAT
794 079	LANCIA
794 870	LANCIA
9 943 830	LANCIA



180729-700



90.1x63.3x17

WVA
21100
21101
21104
21105

MAKE
FIAT
LANCIA



Trac.	CC	Kw	CV	Front / Rear
-------	----	----	----	--------------

FIAT

TEMPRA (159_) 03.90-12.98							Saloon (Large family car-D Segment)		
1.4 i.e. (159.AC, 159.AX) (159 A2.000)		Gasolina	FWD	1372	51	69	04.90-08.96	■	
1.4 i.e. (159.AC, 159.AX) (160 A1.046)		Gasolina	FWD	1372	51	69	04.90-08.96	■	
1.4 i.e. (159.AC, 159.AX) (836 A4.000)		Gasolina	FWD	1372	51	69	04.90-08.96	■	
1.4 i.e. (159.AA) (159 A2.000)		Gasolina	FWD	1372	57	78	03.91-08.96	■	
1.6 (159AS, 159AT) (159 A3.048)		Gasolina	FWD	1581	51	69	04.90-07.96	■	
1.6 i.e. (159.AS, 159.AT) (159 A3.048)		Gasolina	FWD	1581	55	75	06.92-08.96	■	
1.6 i.e. (159.AS, 159.AT) (835 C1.000)		Gasolina	FWD	1581	55	75	06.92-08.96	■	
1.6 i.e. (159.AE) (159 A3.046)		Gasolina	FWD	1581	57	78	06.90-07.92	■	
1.6 (159.AD) (159 A3.000)		Gasolina	FWD	1581	63	86	03.90-04.94	■	
1.6 (159.AD) (159 B9.000)		Gasolina	FWD	1581	63	86	03.90-04.94	■	
1.6 i.e. (159.AJ) (159 B9.000)		Gasolina	FWD	1581	63	87	06.94-08.96	■	
1.6 i.e. (159.AJ) (159 B9.000)		Gasolina	FWD	1581	66	90	06.94-08.96	■	
TEMPRA / MARENGO (159_) 04.90-07.96							Estate Van (Large family car-D Segment)		
1.4 (159AA)		Gasolina	FWD	1372	54	73	04.91-06.93	■	
1.6 (159AE)		Gasolina	FWD	1581	57	77	04.91-06.93	■	
TEMPRA S.W (159_) 03.90-10.97							Estate (Large family car-D Segment)		
1.4 i.e. (159.AC, 159.AX) (159 A2.000)		Gasolina	FWD	1372	51	69	10.92-08.96	■	
1.4 i.e. (159.AC, 159.AX) (160 A1.046)		Gasolina	FWD	1372	51	69	10.92-08.96	■	
1.4 i.e. (159.AC, 159.AX) (836 A4.000)		Gasolina	FWD	1372	51	69	10.92-08.96	■	
1.4 i.e. (159.AC) (159 A2.000)		Gasolina	FWD	1372	57	78	03.91-08.96	■	
1.6 i.e. (159.AE) (159 A3.046)	-12/92	Gasolina	FWD	1581	57	78	10.90-08.96	■	
1.6 i.e. (159.AE) (835 C1.000)	-12/92	Gasolina	FWD	1581	57	78	10.90-08.96	■	

LISTA DE APLICACIONES - BUYERS GUIDE

1.6 (159 A3.000)		Gasolina	FWD	1581	63	86	12.90-04.93	■	
1.6 i.e. (159.AJ) (159 B9.000)		Gasolina	FWD	1581	66	90	06.94-08.96	■	
							Hatchback (Compact car-C Segment)		
TIPO (160_) 07.87-10.97									
1.1 (160.AA) (160 A3.000)		Gasolina	FWD	1108	41	56	01.88-10.91	■	
1.4 i.e. (160.AP, 160.AD, 160.EA) (160 A1.046)	-12/94	Gasolina	FWD	1372	51	70	05.89-04.95	■	
1.4 i.e. (160.AP, 160.AD, 160.EA) (160 A1.048)	-12/94	Gasolina	FWD	1372	51	70	05.89-04.95	■	
1.4 i.e. (160.AP, 160.AD, 160.EA) (836 A4.000)	-12/94	Gasolina	FWD	1372	51	70	05.89-04.95	■	
1.4 (160.AC) (160 A1.000)	01/88-	Gasolina	FWD	1372	52	71	07.87-12.89	■	
1.4 (160.AC) (160 A1.048)	01/88-	Gasolina	FWD	1372	52	71	07.87-12.89	■	
1.4 i.e. (159 A2.000)	-12/92	Gasolina	FWD	1372	57	78	05.89-04.95	■	
1.6 i.e. (160.AF) (159 A3.046)		Gasolina	FWD	1581	57	78	07.90-01.93	■	
1.6 (160.AE) (160 A2.000)		Gasolina	FWD	1581	61	83	01.88-10.91	■	
1.6 SX DGT (159 A3.000)	not for ABS	Gasolina	FWD	1581	66	90	05.89-10.95	■	
1.6 i.e. (149 C2.046)		Gasolina	FWD	1595	66	90	02.88-05.91	■	
1.7 D (160.AG) (149 B4.000)	-12/92	Diesel	FWD	1697	43	58	01.88-10.94	■	
1.7 D (160.AG) (149 B4.000)	-12/92	Diesel	FWD	1697	45	61	01.88-10.95	■	
1.9 TD (160.AW) (160 B6.046)	-12/92	Diesel	FWD	1929	59	80	03.92-06.93	■	
1.9 TD (160.EL, 160.GL, 160.AQ, 160.EI, 160.AR) (160 A6.000)	-12/92	Diesel	FWD	1929	66	90	09.90-04.95	■	
1.9 TD (160.EL, 160.GL, 160.AQ, 160.EI, 160.AR) (160 A6.046)	-12/92	Diesel	FWD	1929	66	90	09.90-04.95	■	
1.9 TD (160.EL, 160.GL, 160.AQ, 160.EI, 160.AR) (160 D1.000)	-12/92	Diesel	FWD	1929	66	90	09.90-04.95	■	
							Hatchback (Supermini car-B Segment)		
UNO I-IV (146_, 158_) 01.83-12.13									
55 1.0	01/94-	Gasolina	FWD	996	41	56	11.93-08.00	■	
50 i.e. 1.1 (146 C3.000)		Gasolina	FWD	1116	36	49	06.92-12.93	■	
1.4		Gasolina	FWD	1372	49	67	10.88-03.01	■	
1.4	-12/95	Gasolina	FWD	1372	51	69	07.91-07.96	■	
70 i.e. 1.4 (160 A1.046)		Gasolina	FWD	1372	51	70	09.89-07.96	■	
70 S 1.4 (160 A1.046)		Gasolina	FWD	1372	52	71	10.88-06.06	■	
70 S 1.4 (160 A1.048)		Gasolina	FWD	1372	52	71	10.88-06.06	■	
70 i.e. 1.4 (146 C1.000)		Gasolina	FWD	1372	53	72	09.89-12.93	■	
1.4		Gasolina	FWD	1372	74	101	01.89-12.91	■	
75 i.e. 1.5 (138 C2.048)	01/89-	Gasolina	FWD	1498	55	75	10.85-12.93	■	
75 i.e. 1.5 (149 C1.000)	01/89-	Gasolina	FWD	1498	55	75	10.85-12.93	■	
1.5 75 iE		Gasolina	FWD	1498	56	76	01.94-10.95	■	
1.6 (159 A3.046)		Gasolina	FWD	1581	65	88	12.89-04.93	■	
1.6 R (159 A3.048)		Gasolina	FWD	1581	66	90	05.93-12.95	■	
70 TD 1.4 (146 B.000)		Diesel	FWD	1367	52	71	10.86-10.90	■	
70 TD 1.4 (146 B3.000)		Diesel	FWD	1367	52	71	10.86-10.90	■	
1.7 D (146 B2.000)		Diesel	FWD	1697	43	58	11.94-08.00	■	
60 Diesel 1.7 (146E) (146 B2.000)		Diesel	FWD	1698	42	57	09.89-12.93	■	
1.9 D (149 B5.046)		Diesel	FWD	1929	44	60	09.89-03.94	■	
1.9 D		Diesel	FWD	1929	58	79	01.89-12.91	■	
LANCIA									
							Saloon (Large family car-D Segment)		
DEDRA (835_) 01.89-07.99									
1.6 i.e. (835AN) (835 C1.000)		Gasolina	FWD	1581	55	75	04.93-07.99	■	
1.6 i.e. (835AB) (835 A1.046)		Gasolina	FWD	1581	57	78	08.89-03.93	■	
1.6 i.e. (835AA) (835 A1.000)		Gasolina	FWD	1581	66	90	08.89-06.94	■	
1.6 LE Cat (835EB) (159 B9.000)		Gasolina	FWD	1581	66	90	07.94-07.99	■	