

LISTA DE APLICACIONES - BUYERS GUIDE

180744-700

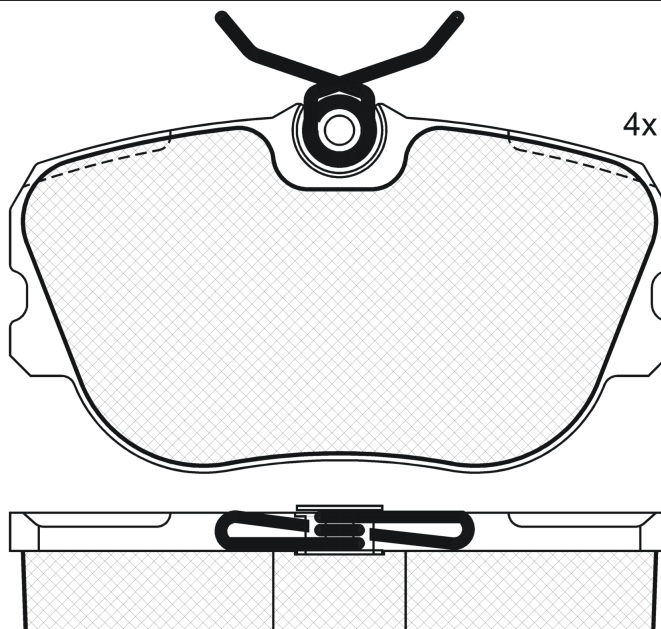


8 424073 080547

Qty: 300

Weight: 1.147

O.E.M.	MAKE
89 67 077	SAAB
89 68 018	SAAB
89 93 974	SAAB



180744-700

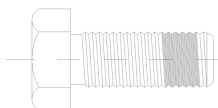


Lucas - Girling

94.8x52.6x17.7

WVA	FMSI
21067	D439-7323
21068	
MAKE	
SAAB	

180744-700



2x

1-690022



Trac.	CC	Kw	CV
-------	----	----	----



Front / Rear

SAAB

							Convertible (Compact executive car-D Segment)		
900 10.85-12.94									
2.0 (B201)	01/88-	Gasolina	FWD	1985	81	110	10.85-09.89	■	
2.0 -16 (B202I)		Gasolina	FWD	1985	93	126	01.90-06.94	■	
2.0 S Turbo-16 (B202S)		Gasolina	FWD	1985	104	141	09.91-06.94	■	
2.0 (B202S)		Gasolina	FWD	1985	107	145	05.91-10.93	■	
2.0 Turbo-16 (B202XL)	01/89-	Gasolina	FWD	1985	118	160	11.86-06.94	■	
2.0 Turbo-16 S (B202XL)	01/88-	Gasolina	FWD	1985	129	175	11.86-06.94	■	
2.1 -16 (B212I)		Gasolina	FWD	2119	100	136	08.90-06.94	■	
2.1 16 S	-12/90	Gasolina	FWD	2119	107	145	10.89-07.92	■	
900 06.78-06.94							Hatchback (Compact executive car-D Segment)		
2.0 (B201)	01/88-	Gasolina	FWD	1985	74	100	04.84-10.91	■	
2.0 i (B201)	01/88-	Gasolina	FWD	1985	81	110	09.80-08.90	■	
2.0 -16 (B202I)	-12/90	Gasolina	FWD	1985	93	126	01.89-08.92	■	
2.0 Turbo (B201XL)	01/88-	Gasolina	FWD	1985	103	140	10.86-12.91	■	
2.0 S Turbo-16 (B202S)		Gasolina	FWD	1985	104	141	09.91-07.93	■	
2.0 -16 (B202S)		Gasolina	FWD	1985	107	145	05.91-10.93	■	
2.0 Turbo-16 S Cat (B202XL)		Gasolina	FWD	1985	125	170	01.89-12.93	■	
2.0 Turbo-16 (B202L)		Gasolina	FWD	1985	132	180	01.93-06.94	■	
2.1 -16 (B212I)	-12/90	Gasolina	FWD	2119	100	136	09.90-07.93	■	
2.1 16 S	-12/90	Gasolina	FWD	2119	107	145	10.89-07.92	■	
900 (AC4, AM4) 01.79-12.93							Saloon (Compact executive car-D Segment)		
2.0 i (B201)	01/88-	Gasolina	FWD	1985	81	110	09.80-08.90	■	
2.0 i (B201XI)	01/88-	Gasolina	FWD	1985	85	115	11.80-08.90	■	

LISTA DE APLICACIONES - BUYERS GUIDE

2.0 i (B120)	01/88-	Gasolina	FWD	1985	85	115	11.80-08.90	■
2.0 -16 (B202I)		Gasolina	FWD	1985	93	126	01.89-12.93	■
2.0 (B202I)		Gasolina	FWD	1985	98	133	10.87-10.91	■
2.0 Turbo (B201XL)	01/88-	Gasolina	FWD	1985	103	140	10.86-12.91	■
2.0 S Turbo-16 (B202S)		Gasolina	FWD	1985	104	141	07.91-12.93	■
2.0 S Turbo-16 (B202S)		Gasolina	FWD	1985	107	146	01.92-12.93	■
2.0 Turbo-16 (B202XL)	01/88-	Gasolina	FWD	1985	118	160	11.85-12.93	■
2.1 -16 (B212I)	-12/90	Gasolina	FWD	2119	100	136	08.90-12.93	■
2.1 16 S	-12/90	Gasolina	FWD	2119	107	145	10.89-07.92	■
9000 09.84-12.98						Hatchback (Executive car-E Segment)		
2.0 -16 (B202XI)	01/86-	Gasolina	FWD	1985	92	125	12.85-12.88	■
2.0 -16 (B202XI)	01/86-	Gasolina	FWD	1985	94	128	12.85-08.88	■
2.0 -16 CS (B202I)		Gasolina	FWD	1985	94	128	01.89-12.98	■
2.0 -16 Turbo (B202XL)	01/86-	Gasolina	FWD	1985	118	160	09.84-08.93	■
9000 04.85-12.98						Saloon (Executive car-E Segment)		
2.3 -16 CDE (B234I)		Gasolina	FWD	2290	108	147	09.93-12.98	■
2.3 -16 Turbo (B234L)		Gasolina	FWD	2290	143	195	09.90-12.98	■