

LISTA DE APLICACIONES - BUYERS GUIDE

180752-701

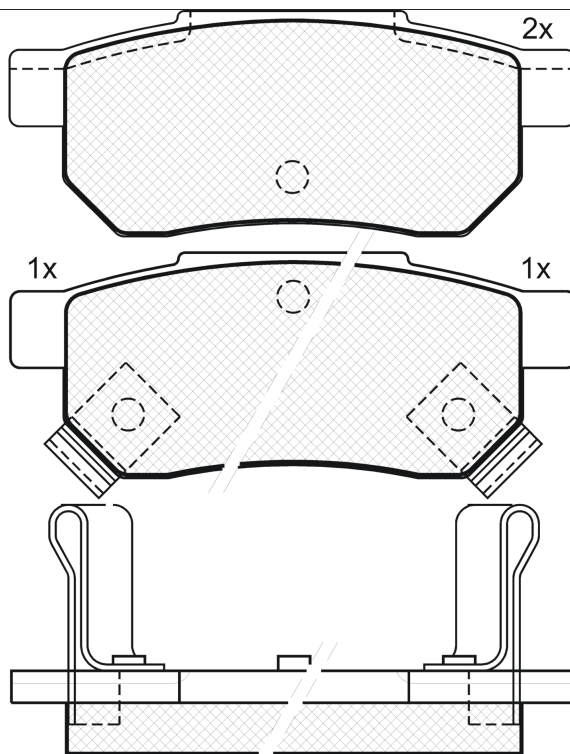


8 424073 003805

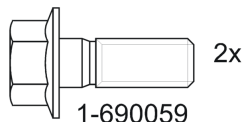
Qty: 944

Weight: 605

O.E.M.	MAKE
06022-SP8-000	ACURA
43022-SE0-000	HONDA
43022-SF1-000	HONDA
43022-SF1-010	HONDA
43022-SF1-315	HONDA
43022-SF1-S01	HONDA
43022-SH3-305	HONDA
43022-SH3-600	HONDA
43022-SH3-601	HONDA
43022-SH3-G00	HONDA
43022-SR3-000	HONDA
43022-SR3-010	HONDA
43022-ST3-E00	HONDA
43022-ST3-E01	HONDA
43022-ST3-E50	HONDA
43022-ST3-E50-HE	HONDA
45022-SR3-000	HONDA
45022-SR3-010	HONDA
86 71 016 675	RENAULT
EJP1437	ROVER
GBP90316	LOTUS
GBP90316AF	ROVER
GBP90347	ROVER
UGBP316AF	MG
UGBS835AF	MG



180752-701



180752-701

E1 90R-01100/174



Akebono

89x35.2x13

WVA	FMSI
21312	D374-7233
21313	
21314	

MAKE
HONDA
LOTUS
MG
ROVER
TATA



Trac.	CC	Kw	CV
-------	----	----	----



Front / Rear

HONDA

CIVIC V (EJ) 08.93-03.96

Coupe (Supermini car-B Segment)

Model	Year	Fuel	Trac.	CC	Kw	CV	Period	Application
1.6 i Vtec (EJ1) (D16Y6)	-12/95	Gasolina	FWD	1590	92	125	01.94-03.96	■
1.6 i Vtec (EJ1) (D16Z9)	-12/95	Gasolina	FWD	1590	92	125	01.94-03.96	■

CIVIC V (EG, EH) 10.91-11.95

Hatchback (Supermini car-B Segment)

1.6 16V Vtec (EG5, EH3) (D16Z6)	01/92-	Gasolina	FWD	1590	92	125	10.91-11.95	■
---------------------------------	--------	----------	-----	------	----	-----	-------------	---

CIVIC VI (MA, MB) 09.94-02.01

Hatchback (Supermini car-B Segment)

1.4 i (EJ9) (D14A3)		Gasolina	FWD	1396	55	75	11.95-02.01	■
1.4 i (EJ9) (D14Z1)		Gasolina	FWD	1396	55	75	11.95-02.01	■
1.4 i (MA8, MB2) (D14A5)	-12/96	Gasolina	FWD	1396	55	75	09.95-02.01	■
1.4 i (MA8, MB2) (D14A7)	-12/96	Gasolina	FWD	1396	55	75	09.95-02.01	■
1.4 i (MA8, MB2) (D14Z3)	-12/96	Gasolina	FWD	1396	55	75	09.95-02.01	■
1.4 i (MA8, MB2) (D14A2)	-12/96	Gasolina	FWD	1396	66	90	06.95-02.01	■
1.4 i (MA8, MB2) (D14A6)	-12/96	Gasolina	FWD	1396	66	90	06.95-02.01	■
1.4 i (MA8, MB2) (D14A8)	-12/96	Gasolina	FWD	1396	66	90	06.95-02.01	■
1.4 i (MA8, MB2) (D14Z4)	-12/96	Gasolina	FWD	1396	66	90	06.95-02.01	■
1.4 i S (EJ9) (D14A4)		Gasolina	FWD	1396	66	90	11.95-02.01	■
1.4 i S (EJ9) (D14Z2)		Gasolina	FWD	1396	66	90	11.95-02.01	■
1.4 i S (EJ9) (D14Z4)		Gasolina	FWD	1396	66	90	11.95-02.01	■
1.5 (D15Z3)		Gasolina	FWD	1493	66	90	11.95-12.96	■
1.5 i Vtec-E (MA9) (D15Z3)	-12/96	Gasolina	FWD	1493	66	90	09.94-01.97	■
1.5 16V (MB3) (D15Z8)		Gasolina	FWD	1493	84	114	01.97-02.01	■
1.6 (D16Y7)		Gasolina	FWD	1590	79	107	10.95-12.00	■
1.6 i (MB1) (D16Y3)	-12/96	Gasolina	FWD	1590	83	113	09.94-01.97	■

LISTA DE APLICACIONES - BUYERS GUIDE

1.6 16V (MB4) (D16B2)		Gasolina	FWD	1590	85	116	01.97-02.01	■	
1.6 (MB1) (D16Y2)		Gasolina	FWD	1590	93	126	10.95-03.01	■	
1.6 i Vtec (MB1) (D16Y2)	-12/96	Gasolina	FWD	1590	93	126	09.94-01.97	■	
1.4 LPG (D14Z4)		Gasol./Gas (LPG)	FWD	1396	66	90	01.97-02.01	■	
2.0 i TD (MB7) (20T2R)		Diesel	FWD	1994	63	86	01.97-02.01	■	
2.0 TDiC (MB7) (20T2N)		Diesel	FWD	1994	74	101	11.98-10.00	■	
2.0 TDiC (20T2N)		Diesel	FWD	1994	77	105	11.98-10.00	■	
2.0 TDiC (MB7) (20T2N)		Diesel	FWD	1994	77	105	11.98-10.00	■	
CIVIC VI / BALLADE (EJ, EK, SO) 06.95-03.01							Saloon (Sport compact car-C Segment)		
1.5 i (EK3) (D15Z4)		Gasolina	FWD	1493	84	114	11.95-02.01	■	
1.5 i (EK3) (D15Z6)		Gasolina	FWD	1493	84	114	11.95-02.01	■	
CIVIC VI Aerodeck (MB, MC) 04.98-02.01							Estate (Supermini car-B Segment)		
1.4 16V (MB8) (D14A7)		Gasolina	FWD	1396	55	75	04.98-02.01	■	
1.4 16V (MB8) (D14A8)		Gasolina	FWD	1396	66	90	04.98-02.01	■	
1.5 16V (MB9) (D15Z8)		Gasolina	FWD	1493	84	114	04.98-02.01	■	
1.6 16V (MC1) (D16B2)	-12/98	Gasolina	FWD	1590	85	116	04.98-02.01	■	
2.0 i D (MC3)		Diesel	FWD	1994	74	101	04.98-02.01	■	
2.0 i D (MC3) (20T2N)		Diesel	FWD	1994	77	105	04.98-02.01	■	
CONCERTO (HW, MA) 08.89-10.96							Hatchback (Compact car-C Segment)		
1.5 i 16V (MA1) (D15B2)		Gasolina	FWD	1493	66	90	08.89-03.95	■	
1.6 16V (D16Z2)		Gasolina	FWD	1590	78	106	08.89-03.95	■	
1.6 i 16V (D16Z2)		Gasolina	FWD	1590	82	112	08.89-03.95	■	
1.6 i 16V (HW) (D16A8)		Gasolina	FWD	1590	90	122	08.89-03.95	■	
1.6 i 16V (HW) (D16Z4)		Gasolina	FWD	1590	90	122	08.89-03.95	■	
1.6 (D16A9)		Gasolina	FWD	1590	96	131	10.89-10.92	■	
1.8 TD		Diesel	RWD	1769	58	79	08.94-10.96	■	
1.8 TD		Diesel	RWD	1769	65	88	08.94-10.96	■	
CONCERTO (HWW) 08.89-05.95							Saloon (Compact car-C Segment)		
1.5 i 16V (D15B2)		Gasolina	FWD	1493	66	90	08.89-05.95	■	
1.6 16V (D16Z2)		Gasolina	FWD	1590	78	106	08.89-03.95	■	
1.6 i 16V (D16Z2)		Gasolina	FWD	1590	82	112	08.89-03.95	■	
1.6 i 16V (D16A8)		Gasolina	FWD	1590	90	122	08.89-03.95	■	
1.6 i 16V (D16Z4)		Gasolina	FWD	1590	90	122	08.89-03.95	■	
1.6 (D16A9)		Gasolina	FWD	1590	96	131	10.89-10.92	■	
1.8 D ABS	01/94-	Diesel	RWD	1795	57	78	08.89-	■	
CRX II (ED, EE) 10.87-02.92							Coupe (Sports car-S Segment)		
1.6 i 16V (ED9) (D16Z5)		Gasolina	FWD	1590	91	124	10.87-02.92	■	
DOMANI (MA_) 10.92-12.97							Saloon (Compact car-C Segment)		
1.4 (MA3)		Gasolina	FWD	1343	67	91	10.92-12.97	■	
1.5 (MA7) (D15B3)		Gasolina	FWD	1493	69	94	10.92-09.95	■	
1.6 (MA4)		Gasolina	FWD	1590	81	110	10.92-12.97	■	
1.8 (MA5)		Gasolina	FWD	1834	103	140	10.92-12.97	■	
INTEGRA I-II (DA) 10.85-08.93							Hatchback (Sport compact car-C Segment)		
1.6 (DA6, DA8)	01/90-	Gasolina	FWD	1595	125	170	09.89-08.93	■	
INTEGRA II (DA5, DA6, DA7, DA8, DA9, DB1, DB2) 06.89-08.93							Saloon (Sport compact car-C Segment)		
1.6 Vtec (DA6)	01/90-	Gasolina	FWD	1595	125	170	09.89-08.93	■	

LISTA DE APLICACIONES - BUYERS GUIDE

						Coupe (Sport compact car-C Segment)				
PRELUDE III (BA) 04.86-11.96										
2.0 EX (BA4) (B20A3)	-12/91	Gasolina	FWD	1958	80	109	04.87-01.92	■		
2.0 (BA4) (B20A4)	-12/91	Gasolina	FWD	1958	84	114	08.87-01.92	■		
2.0 i EX 16V		Gasolina	FWD	1958	101	137	04.86-12.87	■		
2.0 i EX 16V Cat (BA4) (B20A5)		Gasolina	FWD	1958	101	137	04.87-01.92	■		
2.0 i EX 16V (BA4) (B20A9)		Gasolina	FWD	1958	103	140	10.87-01.92	■		
2.0 i EX 16V		Gasolina	FWD	1958	106	144	10.87-12.91	■		
2.0 i EX 16V (BA5) (B20A7)		Gasolina	FWD	1958	110	150	10.87-12.90	■		
PRELUDE IV (BB_) 12.91-02.97						Coupe (Sport compact car-C Segment)				
2.2 S	-12/91	Gasolina	FWD	2156	96	131	12.91-11.96	■		
LOTUS										
ELISE 08.95-01.01						Convertible (Sports car-S Segment)				
1.8 (18 K4F)		Gasolina	RWD	1796	88	120	08.95-11.00	■		
MG										
EXPRESS 03.03-05.05						Hatchback Van (LCVs-N1 Segment)				
1.4 (14 K4F)		Gasolina	FWD	1396	76	103	03.03-05.05	■		
1.8 (18 K4F)		Gasolina	FWD	1796	86	117	03.03-05.05	■		
2.0 TD (20 T2N)		Diesel	FWD	1994	74	101	03.03-05.05	■		
2.0 TD (20 T2N)		Diesel	FWD	1994	83	113	03.03-05.05	■		
MG ZR 06.01-04.05						Hatchback (Supermini car-B Segment)				
105 (14 K4F)		Gasolina	FWD	1396	76	103	06.01-04.05	■		
120 (18 K4F)		Gasolina	FWD	1796	86	117	06.01-04.05	■		
2.0 TD (20 T2N)		Diesel	FWD	1994	74	100	06.01-04.05	■		
2.0 TD (20 T2N)		Diesel	FWD	1994	83	113	12.02-04.05	■		
MG ZS 07.01-10.05						Hatchback (Executive car-E Segment)				
1.6 (RT) (16 K4F)		Gasolina	FWD	1588	79	107	07.03-04.05	■		
1.6 (16 K4F)		Gasolina	FWD	1590	82	111	11.01-10.05	■		
120 (18 K4F)		Gasolina	FWD	1796	86	117	07.01-10.05	■		
180 (25 K4F)		Gasolina	FWD	2497	130	177	07.01-10.05	■		
2.0 TD (20 T2N)		Diesel	FWD	1994	74	101	01.04-10.05	■		
2.0 TD (20 T2N)		Diesel	FWD	1994	83	113	01.04-10.05	■		
MG ZS 07.01-04.05						Saloon (Executive car-E Segment)				
1.6 (16 K4F)		Gasolina	FWD	1588	79	107	07.03-04.05	■		
120 (18 K4F)		Gasolina	FWD	1796	86	117	07.01-04.05	■		
180 (25 K4F)		Gasolina	FWD	2497	130	177	07.01-04.05	■		
2.0 TD (20 T2N)		Diesel	FWD	1994	74	101	01.04-04.05	■		
2.0 TD (20 T2N)		Diesel	FWD	1994	83	113	01.04-04.05	■		
ROVER										
200 II (XW) 04.90-11.99						Convertible (Compact car-C Segment)				
214 1.4 (14 K4C)		Gasolina	FWD	1396	66	90	01.92-11.99	■		
214 1.4 (14 K4D)		Gasolina	FWD	1396	66	90	01.92-11.99	■		
214 1.4 (14 K4C)		Gasolina	FWD	1396	70	95	04.90-09.92	■		
214 1.4i 16V (14 K4F)		Gasolina	FWD	1396	76	103	01.93-11.99	■		
216 1.6i 16V (16 K4F)		Gasolina	FWD	1588	82	111	01.96-11.99	■		
216 1.6 (D 16 Z2)		Gasolina	FWD	1590	82	111	04.90-02.96	■		
216 1.6i (D 16 A8)		Gasolina	FWD	1590	90	122	01.92-11.99	■		

LISTA DE APLICACIONES - BUYERS GUIDE

200 II (XW) 10.92-06.99					Coupe (Compact car-C Segment)			
216 (16 K4F)		Gasolina	FWD	1588	82	112	01.96-12.97	■
216 (D 16 A8)		Gasolina	FWD	1590	90	122	10.92-06.99	■
220 GSi (20 T4H)		Gasolina	FWD	1994	100	136	05.94-06.99	■
220TURBO (20 T4G)		Gasolina	FWD	1994	147	200	10.92-06.99	■
2.0		Gasolina	FWD	1994	152	207	10.92-09.97	■
200 II (XW) 10.89-12.95					Hatchback (Compact car-C Segment)			
214 (14 K2A)		Gasolina	FWD	1396	55	75	09.93-12.95	■
214 (14 K2D)		Gasolina	FWD	1396	55	75	09.93-12.95	■
214 Si/GSi (14 K4C)		Gasolina	FWD	1396	66	90	10.89-10.95	■
214 Si/GSi (14 K4D)		Gasolina	FWD	1396	66	90	10.89-10.95	■
214 GSi/Si (14 K4C)		Gasolina	FWD	1396	70	95	01.90-10.95	■
214 GSi/Si (14 K4F)		Gasolina	FWD	1396	76	103	12.92-10.95	■
216 GSi (D 16 Z2)		Gasolina	FWD	1590	82	112	01.90-12.95	■
216 GSi (D 16 A7)		Gasolina	FWD	1590	85	116	10.89-10.95	■
216 GTi (D 16 A8)		Gasolina	FWD	1590	90	122	01.90-10.95	■
216 GTi (D 16 A9)		Gasolina	FWD	1590	96	130	09.90-10.95	■
220 GTi (20 T4H)		Gasolina	FWD	1994	100	136	01.93-10.95	■
220 GTi (20 M4F)		Gasolina	FWD	1994	103	140	09.91-10.95	■
220TURBO (20 T4G)		Gasolina	FWD	1994	147	200	01.93-12.95	■
2.0		Gasolina	FWD	1994	152	207	10.92-12.95	■
218 TD (XUD 7TE)		Diesel	FWD	1769	65	88	09.91-10.95	■
218d (XUD9)		Diesel	FWD	1905	47	64	09.91-09.92	■
218d (XUD9)		Diesel	FWD	1905	52	71	09.91-10.95	■
200 III (RF) 11.95-11.00					Hatchback (Compact car-C Segment)			
214 i (14 K2F)		Gasolina	FWD	1396	55	75	11.95-03.00	■
1.4 (14 K4D)		Gasolina	FWD	1396	66	90	01.96-12.97	■
214 Si (14 K4F)		Gasolina	FWD	1396	76	103	11.95-03.00	■
216 Si (16 K4F)		Gasolina	FWD	1588	82	112	11.95-06.99	■
218 Si (18 K4F)		Gasolina	FWD	1796	88	120	08.99-03.00	■
218 K Vi (18 K4K)		Gasolina	FWD	1796	107	146	11.95-03.00	■
220 D/SD (20 T2R)		Diesel	FWD	1994	63	86	11.95-03.00	■
220 SDi (20 T2N)		Diesel	FWD	1994	77	105	11.95-03.00	■
25 (RF) 09.99-06.06					Hatchback (Compact car-C Segment)			
1.1 16V (11 K4F)		Gasolina	FWD	1120	55	75	01.04-05.05	■
1.4 16V (14 K4M)		Gasolina	FWD	1396	62	84	10.99-05.05	■
1.8 16V (18 K4K)		Gasolina	FWD	1796	107	146	02.00-05.05	■
2.0 iDT (20 T2N)		Diesel	FWD	1994	74	101	10.99-05.05	■
2.0 iDT (20 T2N)		Diesel	FWD	1994	83	113	01.02-12.04	■
25 COMMERCE (RF) 01.03-12.05					Hatchback Van (Compact car-C Segment)			
1.4 (14 K4M)		Gasolina	FWD	1396	62	84	01.03-12.05	■
2.0 iDT (20 T2N)		Diesel	FWD	1994	74	101	01.03-12.05	■
400 III (RT) 05.95-03.00					Hatchback (Compact car-C Segment)			
414 (14 K2F)		Gasolina	FWD	1396	55	75	03.96-12.97	■
414 Si (14 K4F)		Gasolina	FWD	1396	76	103	05.95-03.00	■
416 Si (16 K4F)		Gasolina	FWD	1588	82	112	05.95-03.00	■
416 Si (D 16 Y3)		Gasolina	FWD	1590	83	113	06.95-03.00	■
416 Si (D16B2)		Gasolina	FWD	1590	85	116	06.95-03.00	■

LISTA DE APLICACIONES - BUYERS GUIDE

420 Si Lux (20 T4H)		Gasolina	FWD	1994	100	136	12.95-03.00	■	
400 III (RT) 03.95-03.00					Saloon (Compact car-C Segment)				
414 (14 K2F)		Gasolina	FWD	1396	55	75	03.96-12.99	■	
414 Si (14 K4F)		Gasolina	FWD	1396	76	103	05.95-03.00	■	
416 Si (16 K4F)		Gasolina	FWD	1588	82	112	05.95-03.00	■	
416 Si (D 16 Y3)		Gasolina	FWD	1590	83	113	03.95-06.99	■	
416 Si (D16B2)		Gasolina	FWD	1590	85	116	05.95-03.00	■	
420 Si Lux (20 T4H)		Gasolina	FWD	1994	100	136	12.95-03.00	■	
400 I-II (XW) 04.90-04.95					Saloon (Compact car-C Segment)				
414 GSI/SI (14 K4C)	01/92-	Gasolina	FWD	1396	66	90	04.90-04.95	■	
414 GSI/SI (14 K4D)	01/92-	Gasolina	FWD	1396	66	90	04.90-04.95	■	
414 (14 K4C)		Gasolina	FWD	1396	70	95	01.93-04.95	■	
414 GSI/SI Cat (14 K4F)		Gasolina	FWD	1396	76	103	10.92-04.95	■	
416 GSI (D 16 Z2)		Gasolina	FWD	1590	82	112	04.90-04.95	■	
416 GSI/GSE (D 16 A7)		Gasolina	FWD	1590	85	116	04.90-04.95	■	
416 GTI (D 16 A8)		Gasolina	FWD	1590	90	122	04.90-04.95	■	
416 GTI/GTE (D 16 A9)		Gasolina	FWD	1590	96	131	04.90-04.95	■	
420 GSI/SLI/GTI/Vite (20 T4H)		Gasolina	FWD	1994	100	136	01.93-04.95	■	
420 GTI/GSI/Vitesse (20 M4F)		Gasolina	FWD	1994	103	140	02.92-04.95	■	
420 Turbo (20 T4G)		Gasolina	FWD	1994	147	200	01.93-04.95	■	
2.0 Turbo GSi Sport		Gasolina	FWD	1994	152	207	10.92-04.95	■	
418 TD (XUD 7TE)		Diesel	FWD	1769	65	88	09.91-04.95	■	
418 D (XUD9)		Diesel	FWD	1905	49	67	09.91-04.95	■	
400 I-II Tourer (XW) 09.93-11.98					Estate (Compact car-C Segment)				
1.6 i (D 16 Z2)		Gasolina	FWD	1590	82	112	05.94-11.98	■	
1.6 i (D 16 A8)		Gasolina	FWD	1590	90	122	05.94-11.98	■	
1.8 i (18 K4K)		Gasolina	FWD	1796	107	146	06.96-11.98	■	
2.0 i (20 T4H)		Gasolina	FWD	1994	100	136	05.94-11.98	■	
1.8 TD (XUD 7TE)		Diesel	FWD	1769	65	88	09.93-11.98	■	
45 (RT) 02.00-05.05					Hatchback (Compact car-C Segment)				
1.8 (18 K4F)		Gasolina	FWD	1796	86	117	02.00-05.05	■	
2.0 V6 (20 K4F)		Gasolina	FWD	1997	110	150	02.00-05.05	■	
45 (RT) 02.00-05.05					Saloon (Compact car-C Segment)				
1.8 (18 K4F)		Gasolina	FWD	1796	86	117	02.00-05.05	■	
2.0 V6 (20 K4F)		Gasolina	FWD	1997	110	150	02.00-05.05	■	
CDV (RF) 03.03-04.05					Hatchback Van (Compact car-C Segment)				
2.0 iDT (20 T2N)		Diesel	FWD	1994	74	101	03.03-04.05	■	
CITYROVER 09.03-12.05					Hatchback (Supermini car-B Segment)				
1.4 Elegance (14K2)		Gasolina	FWD	1405	62	84	09.03-12.05	■	
1.4 Elegance (475 SI)		Gasolina	FWD	1405	62	84	09.03-12.05	■	
COUPE 03.96-11.99					Coupe (Compact car-C Segment)				
1.6 16V (16 K4F)		Gasolina	FWD	1588	82	111	03.96-11.99	■	
1.8 16V (18 K4K)		Gasolina	FWD	1795	107	145	03.96-11.99	■	
STREETWISE 08.03-05.05					Hatchback (Supermini car-B Segment)				
1.8 (18 K4F)		Gasolina	FWD	1796	86	117	08.03-05.05	■	

TATA

LISTA DE APLICACIONES - BUYERS GUIDE

INDICA / B-LINE 06.98-						Hatchback (City car-A Segment)			
1.4 (475 SI)	-12/08	Gasolina	FWD	1405	62	84	07.03-	■	