

LISTA DE APLICACIONES - BUYERS GUIDE

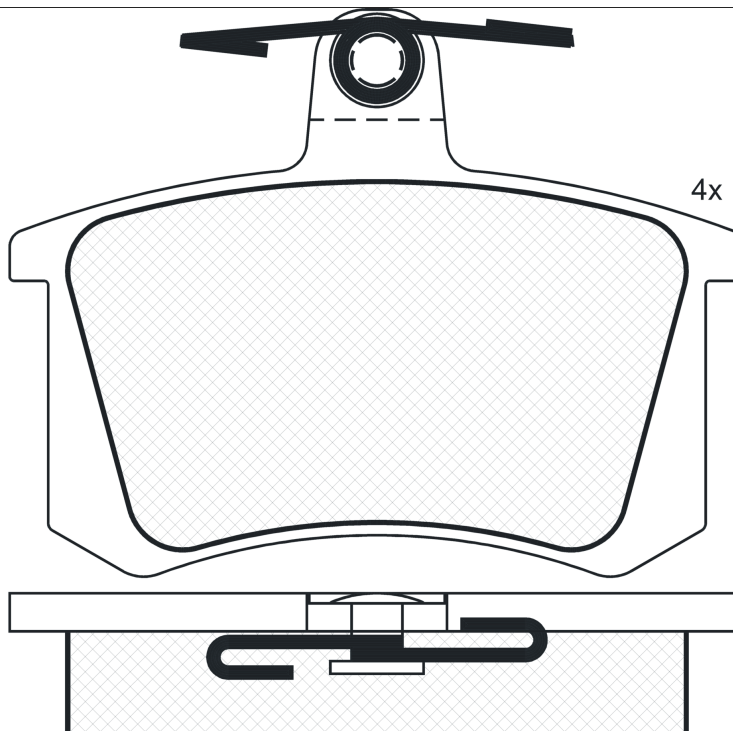
180784-700



8 424073 052650

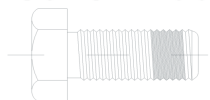
Qty: 944

Weight: 890



4x

180784-700



4x

1-690042

180784-700

E1 90R-01033/141



Lucas - Girling

86.8x66.7x16.6

WVA

20638

21143

21144

FMSI

D228-7498

D851-7727

MAKE

AUDI

AUDI (FAW)



Trac.	CC	Kw	CV
-------	----	----	----



Front / Rear

AUDI

100 II C2 / 500 / 5000 (431, 433, 434) 06.76-08.84

Saloon (Executive car-E Segment)

Model	Year	Fuel	Drive	CC	Kw	CV	Period	Application
2.1 (WB)		Gasolina	FWD	2144	85	115	10.77-07.82	■
2.1 (WE)		Gasolina	FWD	2144	85	115	10.77-07.82	■
2.1 (WC)	01/80-	Gasolina	FWD	2144	100	136	03.77-07.82	■
2.1 (WG)	01/80-	Gasolina	FWD	2144	100	136	03.77-07.82	■
2.1 (WK)	01/80-	Gasolina	FWD	2144	100	136	03.77-07.82	■

100 II C2 Avant / 500 / 5000 (435, 436) 07.77-02.83

Estate (Executive car-E Segment)

2.1 (WB)	-12/82	Gasolina	FWD	2144	85	115	07.77-02.83	■
2.1 (WE)	-12/82	Gasolina	FWD	2144	85	115	07.77-02.83	■
2.1 (WC)	01/80-	Gasolina	FWD	2144	100	136	07.77-02.83	■
2.1 (WG)	01/80-	Gasolina	FWD	2144	100	136	07.77-02.83	■

100 III C3 / 500 / 5000 (443, 444) 08.82-07.91

Saloon (Executive car-E Segment)

1.8 quattro (SH)	-12/88	Gasolina	4WD	1781	65	88	08.86-07.90	■
1.8 Cat quattro (4B)		Gasolina	4WD	1781	66	90	08.85-11.90	■
1.8 Cat quattro (PH)		Gasolina	4WD	1781	66	90	08.85-11.90	■
1.8 quattro (JW)		Gasolina	4WD	1781	66	90	10.84-07.88	■
1.8 quattro (NP)		Gasolina	4WD	1781	66	90	10.84-07.88	■
2.2 (WU)		Gasolina	FWD	2144	79	107	08.82-07.84	■
2.2 (KF)		Gasolina	FWD	2144	96	130	08.82-07.84	■
2.1 (WC)		Gasolina	FWD	2144	100	136	08.82-07.84	■
2.2 (KZ)		Gasolina	FWD	2226	85	115	10.84-09.86	■
2.2 E quattro (PX)		Gasolina	4WD	2226	88	120	08.85-07.86	■
2.2 (KU)		Gasolina	FWD	2226	101	137	08.84-12.88	■

LISTA DE APLICACIONES - BUYERS GUIDE

2.2 Cat (HX)		Gasolina	FWD	2226	101	137	10.84-12.87	■	
2.2 Cat (KU)		Gasolina	FWD	2226	101	137	10.84-12.87	■	
2.2 Cat quattro (HX)		Gasolina	4WD	2226	101	137	10.84-12.87	■	
2.2 Cat quattro (KU)		Gasolina	4WD	2226	101	137	10.84-12.87	■	
2.2 quattro (KU)		Gasolina	4WD	2226	101	137	08.84-12.88	■	
2.2 E Turbo quattro (MC)		Gasolina	4WD	2226	121	165	08.86-11.90	■	
2.2 Turbo (MC)		Gasolina	FWD	2226	121	165	08.86-11.90	■	
2.3 E (NF)		Gasolina	FWD	2309	98	133	01.90-11.90	■	
2.3 quattro (NF)		Gasolina	4WD	2309	98	133	01.90-11.90	■	
2.3 E (NF)		Gasolina	FWD	2309	100	136	10.86-11.90	■	
2.3 E quattro (NF)		Gasolina	4WD	2309	100	136	08.86-11.90	■	
2.5 TDI (1T)		Diesel	FWD	2461	88	120	01.90-11.90	■	
100 III C3 Avant / 500 / 5000 (445, 446) 08.82-11.90							Estate (Executive car-E Segment)		
1.8 quattro (SH)	-12/88	Gasolina	4WD	1781	65	88	08.86-07.90	■	
1.8 Cat quattro (4B)		Gasolina	4WD	1781	66	90	08.85-10.90	■	
1.8 Cat quattro (PH)		Gasolina	4WD	1781	66	90	08.85-10.90	■	
1.8 quattro (JW)		Gasolina	4WD	1781	66	90	10.84-07.88	■	
1.8 quattro (NP)		Gasolina	4WD	1781	66	90	10.84-07.88	■	
2.1 (KF)		Gasolina	FWD	2144	96	131	08.82-07.84	■	
2.1 (WC)		Gasolina	FWD	2144	100	136	08.82-07.84	■	
2.2 (KZ)		Gasolina	FWD	2226	85	115	10.84-09.86	■	
2.2 E quattro (PX)		Gasolina	4WD	2226	88	120	08.85-07.86	■	
2.2 (KU)		Gasolina	FWD	2226	101	137	08.84-12.88	■	
2.2 Cat quattro (HX)		Gasolina	4WD	2226	101	137	06.89-11.90	■	
2.2 Cat quattro (KU)		Gasolina	4WD	2226	101	137	06.89-11.90	■	
2.2 quattro (KU)		Gasolina	4WD	2226	101	137	08.84-12.88	■	
2.2 Turbo (MC)		Gasolina	FWD	2226	121	165	08.86-11.90	■	
2.2 Turbo quattro (MC)		Gasolina	4WD	2226	121	165	08.86-11.90	■	
2.3 (NF)		Gasolina	FWD	2309	98	133	03.90-11.90	■	
2.3 quattro (NF)		Gasolina	4WD	2309	98	133	01.90-11.90	■	
2.3 (NF)		Gasolina	FWD	2309	100	136	08.86-11.90	■	
2.3 E quattro (NF)		Gasolina	4WD	2309	100	136	08.86-11.90	■	
2.5 TDI (1T)		Diesel	FWD	2461	88	120	01.90-11.90	■	
100 IV C4 (4A2) 12.90-04.96							Saloon (Executive car-E Segment)		
2.0 (AAE)		Gasolina	FWD	1984	74	100	12.90-07.94	■	
2.0 E (AAD)		Gasolina	FWD	1984	85	115	12.90-07.94	■	
2.0 E (ABK)		Gasolina	FWD	1984	85	115	12.90-07.94	■	
2.0 E quattro (AAD)		Gasolina	4WD	1984	85	115	12.90-07.92	■	
2.0 E 16V (ACE)		Gasolina	FWD	1984	103	140	01.92-07.94	■	
2.0 E 16V quattro (ACE)		Gasolina	4WD	1984	103	140	07.92-07.94	■	
S4 Turbo quattro (AAN)		Gasolina	4WD	2226	169	230	08.91-07.94	■	
2.3 E (AAR)		Gasolina	FWD	2309	98	133	12.90-07.94	■	
2.3 E quattro (AAR)		Gasolina	4WD	2309	98	133	12.90-07.94	■	
2.6 (ACZ)		Gasolina	FWD	2598	102	139	07.93-07.94	■	
2.6 E		Gasolina	FWD	2598	102	139	08.93-07.94	■	
2.6 quattro		Gasolina	4WD	2598	102	139	11.93-07.94	■	
2.6 (ABC)		Gasolina	FWD	2598	110	150	03.92-07.94	■	
2.6 quattro (ABC)		Gasolina	4WD	2598	110	150	04.92-07.94	■	
2.8 E (AAH)		Gasolina	FWD	2771	128	174	12.90-07.94	■	
2.8 E quattro (AAH)		Gasolina	4WD	2771	128	174	12.90-07.94	■	
S4 V8 quattro (ABH)		Gasolina	4WD	4172	206	280	10.92-07.94	■	

LISTA DE APLICACIONES - BUYERS GUIDE

S4 V8		Gasolina	FWD	4172	213	290	03.94-06.94	■
2.4 D (AAS)	01/93-	Diesel	FWD	2370	60	82	12.90-07.94	■
2.5 TDI (AAT)	01/91-	Diesel	FWD	2461	85	115	12.90-07.94	■
2.5 TDI (ABP)	01/91-	Diesel	FWD	2461	85	115	12.90-07.94	■
100 IV C4 Avant (4A5) 12.90-11.94				Estate (Executive car-E Segment)				
2.0 E (AAE)		Gasolina	FWD	1984	74	100	09.91-07.94	■
2.0 E (AAD)		Gasolina	FWD	1984	85	115	09.91-07.94	■
2.0 E (ABK)		Gasolina	FWD	1984	85	115	09.91-07.94	■
2.0 E quattro (AAD)		Gasolina	4WD	1984	85	115	12.90-07.92	■
2.0 E 16V (ACE)		Gasolina	FWD	1984	103	140	07.92-07.94	■
2.0 E 16V quattro (ACE)		Gasolina	4WD	1984	103	140	07.92-07.94	■
S4 Turbo quattro (AAN)		Gasolina	4WD	2226	169	230	09.91-07.94	■
2.3 E (AAR)		Gasolina	FWD	2309	98	133	09.91-07.94	■
2.3 E quattro (AAR)		Gasolina	4WD	2309	98	133	09.91-07.94	■
2.6 (ACZ)		Gasolina	FWD	2598	102	139	07.93-07.94	■
2.6 E quattro (ACZ)		Gasolina	4WD	2598	102	139	08.93-07.94	■
2.6 (ABC)		Gasolina	FWD	2598	110	150	03.92-07.94	■
2.6 quattro (ABC)		Gasolina	4WD	2598	110	150	07.92-07.94	■
2.8 E (AAH)		Gasolina	FWD	2771	128	174	09.91-07.94	■
2.8 E quattro (AAH)		Gasolina	4WD	2771	128	174	09.91-07.94	■
S4 V8 quattro (ABH)		Gasolina	4WD	4172	206	280	10.92-07.94	■
S4 V8		Gasolina	FWD	4172	213	290	03.94-06.94	■
2.4 D (AAS)	01/93-	Diesel	FWD	2370	60	82	12.90-07.94	■
2.5 TDI (AAT)	01/91-	Diesel	FWD	2461	85	115	12.90-07.94	■
2.5 TDI (ABP)	01/91-	Diesel	FWD	2461	85	115	12.90-07.94	■
200 II C3 (447, 448) 06.83-12.91				Saloon (Executive car-E Segment)				
2.1 5E (KH)		Gasolina	FWD	2144	100	136	08.83-07.84	■
2.1 5E (WC)		Gasolina	FWD	2144	100	136	08.83-07.84	■
2.1 Turbo (KG)		Gasolina	FWD	2144	134	182	08.83-01.88	■
2.1 Turbo quattro (KG)		Gasolina	4WD	2144	134	182	08.83-09.86	■
2.2 (KU)		Gasolina	FWD	2226	101	137	08.84-07.85	■
2.2 Turbo (MC)		Gasolina	FWD	2226	121	165	08.85-09.91	■
2.2 Turbo quattro (MC)		Gasolina	4WD	2226	121	165	01.85-12.91	■
2.2 Turbo (2B)		Gasolina	FWD	2226	140	190	02.88-12.90	■
2.2 Turbo (1B)		Gasolina	FWD	2226	147	200	02.88-12.90	■
2.2 Turbo quattro (1B)		Gasolina	4WD	2226	147	200	02.88-11.90	■
2.2 20V Turbo quattro (3B)		Gasolina	4WD	2226	162	220	03.89-12.90	■
2.3 (NF)		Gasolina	FWD	2309	100	136	11.86-09.91	■
200 II C3 Avant (447, 448) 09.83-12.91				Estate (Executive car-E Segment)				
2.1 Turbo quattro (JY)		Gasolina	4WD	2144	134	182	09.83-01.88	■
2.1 Turbo quattro (KG)		Gasolina	4WD	2144	134	182	09.83-01.88	■
2.2 Turbo (MC)		Gasolina	FWD	2226	121	165	08.85-09.91	■
2.2 Turbo quattro (MC)	01/85-	Gasolina	4WD	2226	121	165	09.83-12.90	■
2.2 Turbo quattro (1B)		Gasolina	4WD	2226	147	200	02.88-12.91	■
2.2 20V Turbo quattro (3B)		Gasolina	4WD	2226	162	220	07.89-12.90	■
2.3 (NF)		Gasolina	FWD	2309	100	136	11.86-09.91	■
200 C2 (437, 438) 10.79-09.82				Saloon (Executive car-E Segment)				
2.1 5E (WC)		Gasolina	FWD	2144	100	136	10.79-09.82	■
2.1 5T (WJ)		Gasolina	FWD	2144	125	170	10.79-08.82	■

LISTA DE APLICACIONES - BUYERS GUIDE

80 III B2 / 4000 (811, 813, 814, 819, 853) 08.78-03.87					Saloon (Compact executive car-D Segment)			
1.8 GTE quattro (85Q) (DZ)		Gasolina	4WD	1781	82	112	08.84-08.86	■
1.9 CD-5S (WN)		Gasolina	FWD	1921	85	115	09.81-07.83	■
2.2 quattro (KL)		Gasolina	4WD	2144	96	131	08.82-07.84	■
80 IV B3 / 90 (893, 894, 8A2) 06.86-10.91					Saloon (Compact executive car-D Segment)			
1.6 (PP)		Gasolina	FWD	1595	51	70	08.87-09.91	■
1.6 (RN)		Gasolina	FWD	1595	55	75	09.86-08.91	■
1.6 (ABB)		Gasolina	FWD	1595	75	102	08.90-10.91	■
1.8 (RU)		Gasolina	FWD	1781	55	75	10.86-01.90	■
1.8 S (SF)		Gasolina	FWD	1781	65	88	08.86-01.90	■
1.8 S quattro (SF)		Gasolina	4WD	1781	65	88	09.86-07.90	■
1.8 S quattro (JN)		Gasolina	4WD	1781	66	90	09.86-09.91	■
1.8 S quattro (NE)		Gasolina	4WD	1781	66	90	09.86-09.91	■
1.8 S quattro (PM)		Gasolina	4WD	1781	66	90	09.86-09.91	■
1.8 E (DZ)		Gasolina	FWD	1781	82	112	06.86-08.91	■
1.8 E quattro (DZ)		Gasolina	4WD	1781	82	112	09.86-08.91	■
1.8 (SD)		Gasolina	FWD	1847	83	113	09.86-07.88	■
1.8 quattro (SD)		Gasolina	4WD	1847	83	113	09.86-	■
1.9		Gasolina	FWD	1847	83	113	02.87-07.88	■
1.9 quattro		Gasolina	4WD	1847	83	113	09.86-07.88	■
2.0 E (AAD)		Gasolina	FWD	1984	82	112	08.88-10.90	■
2.0 E quattro (3A)		Gasolina	4WD	1984	82	112	08.88-07.90	■
2.0 E (3A)		Gasolina	FWD	1984	83	113	08.88-10.90	■
2.0 E quattro (3A)		Gasolina	4WD	1984	83	113	08.88-09.90	■
2.0 quattro (AAD)		Gasolina	4WD	1984	85	115	10.90-08.91	■
2.0 E 16V (6A)		Gasolina	FWD	1984	101	137	03.90-09.91	■
2.0 E 16V quattro (6A)		Gasolina	4WD	1984	101	137	03.90-08.91	■
2.3 quattro (NG)		Gasolina	4WD	2309	98	133	10.87-07.89	■
80 V B4 / 90 (8C2) 09.91-07.95					Saloon (Compact executive car-D Segment)			
1.6 (ABM)		Gasolina	FWD	1595	52	71	09.91-12.94	■
1.6 E (ADA)		Gasolina	FWD	1595	74	101	06.93-12.94	■
2.0 (ABT)		Gasolina	FWD	1984	66	90	09.91-12.94	■
2.0 quattro (ADW)		Gasolina	4WD	1984	79	107	11.93-07.94	■
2.0 E (ABK)		Gasolina	FWD	1984	85	115	09.91-12.94	■
2.0 E quattro (ABK)		Gasolina	4WD	1984	85	115	09.91-12.94	■
2.0 E 16V (6A)		Gasolina	FWD	1984	101	137	09.91-07.92	■
2.0 E 16V (ACE)		Gasolina	FWD	1984	103	140	08.92-12.94	■
2.0 E 16V quattro (ACE)		Gasolina	4WD	1984	103	140	04.92-12.94	■
S2 quattro (ABY)		Gasolina	4WD	2226	169	230	02.93-12.94	■
2.3 E (NG)		Gasolina	FWD	2309	98	133	09.91-12.94	■
2.3 E quattro (NG)		Gasolina	4WD	2309	98	133	09.91-12.94	■
2.6 (ABC)		Gasolina	FWD	2598	110	150	07.92-12.94	■
2.6 quattro (ABC)		Gasolina	4WD	2598	110	150	06.92-12.94	■
2.8 (AAH)		Gasolina	FWD	2771	128	174	09.91-12.94	■
2.8 (AFC)		Gasolina	FWD	2771	128	174	09.91-12.94	■
2.8 quattro (AAH)		Gasolina	4WD	2771	128	174	09.91-12.94	■
2.8 quattro (AFC)		Gasolina	4WD	2771	128	174	09.91-12.94	■
1.9 TD (AAZ)		Diesel	FWD	1896	55	75	09.91-12.94	■
1.9 TDI (1Z)		Diesel	FWD	1896	66	90	09.91-12.94	■

LISTA DE APLICACIONES - BUYERS GUIDE

80 V B4 Avant / 90 (8C5) 09.91-01.96					Estate (Compact executive car-D Segment)			
1.6 E (ADA)		Gasolina	FWD	1595	74	101	06.93-01.96	■
2.0 (ABT)		Gasolina	FWD	1984	66	90	07.92-01.96	■
2.0 quattro (ADW)		Gasolina	4WD	1984	79	107	11.93-01.96	■
2.0 E (ABK)		Gasolina	FWD	1984	85	115	07.92-01.96	■
2.0 E 16V (ACE)		Gasolina	FWD	1984	103	140	02.93-01.96	■
2.0 E 16V quattro (ACE)		Gasolina	4WD	1984	103	140	12.92-07.95	■
S2 quattro (ABY)		Gasolina	4WD	2226	169	230	02.93-07.95	■
2.3 E (NG)	-12/94	Gasolina	FWD	2309	98	133	07.92-01.96	■
2.3 E quattro (NG)	01/92-	Gasolina	4WD	2309	98	133	09.91-11.94	■
2.6		Gasolina	FWD	2598	102	139	08.94-01.96	■
2.6 (ABC)	-12/95	Gasolina	FWD	2598	110	150	07.92-01.96	■
2.6 quattro (ABC)		Gasolina	4WD	2598	110	150	07.92-07.95	■
2.8 (AAH)	01/92-	Gasolina	FWD	2771	128	174	09.91-01.96	■
2.8 quattro (AAH)		Gasolina	4WD	2771	128	174	08.92-07.95	■
1.9 TD (AAZ)		Diesel	FWD	1896	55	75	09.91-12.94	■
1.9 TDI (1Z)	-12/94	Diesel	FWD	1896	66	90	07.92-01.96	■
90 II B3 (893, 894, 8A2) 04.87-09.91					Saloon (Compact executive car-D Segment)			
1.8 E (DZ)		Gasolina	FWD	1781	82	111	08.89-08.91	■
1.8 i.e.	01/89-	Gasolina	FWD	1795	82	111	04.87-	■
2.0 quattro (6A)		Gasolina	4WD	1984	101	137	08.89-07.90	■
2.0 (PS)		Gasolina	FWD	1994	85	115	07.88-09.91	■
2.0 20V (NM)		Gasolina	FWD	1994	118	160	08.89-07.91	■
2.0 20V Quattro (NM)		Gasolina	4WD	1994	118	160	08.88-09.91	■
2.2 E (KV)		Gasolina	FWD	2226	100	136	04.87-07.91	■
2.2 E quattro (KV)		Gasolina	4WD	2226	100	136	04.87-09.91	■
2.3 E (NG)		Gasolina	FWD	2309	98	133	04.87-09.91	■
2.3 E quattro (NG)		Gasolina	4WD	2309	98	133	04.87-09.91	■
2.3 E (NG)		Gasolina	FWD	2309	100	136	04.87-07.91	■
2.3 E quattro (NG)		Gasolina	4WD	2309	100	136	04.87-07.91	■
2.3 E 20V (7A)		Gasolina	FWD	2309	123	167	04.90-07.91	■
2.3 E 20V quattro (7A)		Gasolina	4WD	2309	123	167	04.90-09.91	■
2.3 E 20V (7A)		Gasolina	FWD	2309	125	170	08.88-07.91	■
2.3 E 20V quattro (7A)		Gasolina	4WD	2309	125	170	06.88-09.91	■
90 B2 (813, 814, 853) 08.84-07.88					Saloon (Compact executive car-D Segment)			
2.0 (SK)	01/87-	Gasolina	FWD	1994	83	113	03.86-03.87	■
2.0 20V Quattro	01/84-	Gasolina	FWD	1995	101	137	08.84-	■
2.2 E quattro (JT)		Gasolina	4WD	2226	88	120	08.85-03.87	■
2.2 (HY)		Gasolina	FWD	2226	100	136	10.84-03.87	■
2.2 (KV)		Gasolina	FWD	2226	100	136	10.84-03.87	■
2.2 E quattro (KV)	-12/86	Gasolina	4WD	2226	100	136	11.84-03.87	■
A4 (U.S.A. B5) 12.94-12.01					Saloon (Compact executive car-D Segment)			
1.8 20V	01/96-	Gasolina	FWD	1795			12.94-	■
1.8 20V	01/97-	Gasolina	FWD	1795			12.94-	■
1.8 20V	01/98-	Gasolina	FWD	1795			12.94-	■
1.8 20V Quattro	01/97-	Gasolina	FWD	1795			12.94-	■
1.8 20V Quattro	01/98-	Gasolina	FWD	1795			12.94-	■
1.8 20V Quattro	01/01-	Gasolina	FWD	1795			12.94-	■
1.8 20V Quattro	01/99-	Gasolina	FWD	1795			12.94-	■

LISTA DE APLICACIONES - BUYERS GUIDE

1.8 20V Quattro	01/99-	Gasolina	FWD	1795			12.94-	■	
1.8 20V Quattro	01/01-	Gasolina	FWD	1795			12.94-	■	
2.8 30V	01/96-	Gasolina	FWD	2795			12.94-	■	
2.8 30V	01/96-	Gasolina	FWD	2795			12.94-	■	
2.8 30V	01/98-	Gasolina	FWD	2795			12.94-	■	
2.8 30V Quattro	01/96-	Gasolina	FWD	2795			12.94-	■	
2.8 30V Quattro	01/96-	Gasolina	FWD	2795			12.94-	■	
2.8 30V Quattro	01/98-	Gasolina	FWD	2795			12.94-	■	
A4 B5 (8D2) 11.94-12.01							Saloon (Compact executive car-D Segment)		
1.6 (ADP)	-12/97	Gasolina	FWD	1595	74	100	11.94-10.00	■	
1.6 (AHL)	-12/97	Gasolina	FWD	1595	74	100	11.94-10.00	■	
1.6 (ANA)	-12/97	Gasolina	FWD	1595	74	100	11.94-10.00	■	
1.6 (ARM)	-12/97	Gasolina	FWD	1595	74	100	11.94-10.00	■	
1.8 (AFY)	-12/97	Gasolina	FWD	1781	85	115	04.95-11.00	■	
1.8 quattro (AFY)	01/97-	Gasolina	4WD	1781	85	115	07.95-11.00	■	
1.8 (ADR)	-12/97	Gasolina	FWD	1781	92	125	11.94-11.00	■	
1.8 (APT)	-12/97	Gasolina	FWD	1781	92	125	11.94-11.00	■	
1.8 (ARG)	-12/97	Gasolina	FWD	1781	92	125	11.94-11.00	■	
1.8 (AVV)	-12/97	Gasolina	FWD	1781	92	125	11.94-11.00	■	
1.8 quattro (ADR)		Gasolina	4WD	1781	92	125	01.95-11.00	■	
1.8 quattro (APT)		Gasolina	4WD	1781	92	125	01.95-11.00	■	
1.8 quattro (ARG)		Gasolina	4WD	1781	92	125	01.95-11.00	■	
1.8	-12/97	Gasolina	FWD	1781	95	129	01.95-11.00	■	
1.8 T (AEB)	-12/97	Gasolina	FWD	1781	110	150	01.95-11.00	■	
1.8 T (ANB)	-12/97	Gasolina	FWD	1781	110	150	01.95-11.00	■	
1.8 T (APU)	-12/97	Gasolina	FWD	1781	110	150	01.95-11.00	■	
1.8 T (ARK)	-12/97	Gasolina	FWD	1781	110	150	01.95-11.00	■	
1.8 T (ATW)	-12/97	Gasolina	FWD	1781	110	150	01.95-11.00	■	
1.8 T (AWT)	-12/97	Gasolina	FWD	1781	110	150	01.95-11.00	■	
1.8 T quattro (AEB)		Gasolina	4WD	1781	110	150	01.95-11.00	■	
1.8 T quattro (ANB)		Gasolina	4WD	1781	110	150	01.95-11.00	■	
1.8 T quattro (APU)		Gasolina	4WD	1781	110	150	01.95-11.00	■	
1.8 T quattro (ARK)		Gasolina	4WD	1781	110	150	01.95-11.00	■	
1.8 T quattro (ATW)		Gasolina	4WD	1781	110	150	01.95-11.00	■	
1.8 T quattro (AWT)		Gasolina	4WD	1781	110	150	01.95-11.00	■	
1.8 T quattro (AJL)		Gasolina	4WD	1781	132	180	12.97-11.00	■	
2.4		Gasolina	FWD	2393	110	150	07.95-07.97	■	
2.4 quattro (AJG)		Gasolina	4WD	2393	120	163	08.97-11.00	■	
2.4 quattro (APZ)		Gasolina	4WD	2393	120	163	08.97-11.00	■	
2.4 quattro (AGA)		Gasolina	4WD	2393	121	165	03.97-11.00	■	
2.4 quattro (ALF)		Gasolina	4WD	2393	121	165	03.97-11.00	■	
2.4 quattro (AML)		Gasolina	4WD	2393	121	165	03.97-11.00	■	
2.4 quattro (APS)		Gasolina	4WD	2393	121	165	03.97-11.00	■	
2.4 quattro (ARJ)		Gasolina	4WD	2393	121	165	03.97-11.00	■	
2.6 (ACZ)		Gasolina	FWD	2598	102	139	01.96-07.97	■	
2.6 (ABC)	-12/97	Gasolina	FWD	2598	110	150	01.95-11.00	■	
2.6 quattro (ABC)	-12/99	Gasolina	4WD	2598	110	150	01.95-11.00	■	
S4 quattro (AGB)	-12/99	Gasolina	4WD	2671	195	265	09.97-09.01	■	
S4 quattro (AZB)	-12/99	Gasolina	4WD	2671	195	265	09.97-09.01	■	
2.8 (AAH)		Gasolina	FWD	2771	128	174	09.95-07.97	■	
2.8 (AFC)		Gasolina	FWD	2771	128	174	09.95-07.97	■	

LISTA DE APLICACIONES - BUYERS GUIDE

2.8 quattro (AAH)		Gasolina	4WD	2771	128	174	01.95-07.97	■
2.8 quattro (AFC)		Gasolina	4WD	2771	128	174	01.95-07.97	■
2.8 quattro (ATX)		Gasolina	4WD	2771	140	190	09.99-10.00	■
2.8 (ACK)	-12/97	Gasolina	FWD	2771	142	193	10.96-11.00	■
2.8 (AHA)	-12/97	Gasolina	FWD	2771	142	193	10.96-11.00	■
2.8 (ALG)	-12/97	Gasolina	FWD	2771	142	193	10.96-11.00	■
2.8 (AMX)	-12/97	Gasolina	FWD	2771	142	193	10.96-11.00	■
2.8 (APR)	-12/97	Gasolina	FWD	2771	142	193	10.96-11.00	■
2.8 (AQD)	-12/97	Gasolina	FWD	2771	142	193	10.96-11.00	■
2.8 (ATQ)	-12/97	Gasolina	FWD	2771	142	193	10.96-11.00	■
2.8	-12/97	Gasolina	FWD	2771	142	193	10.96-07.99	■
2.8 quattro (ACK)	-12/00	Gasolina	4WD	2771	142	193	10.96-08.01	■
2.8 quattro (AHA)	-12/00	Gasolina	4WD	2771	142	193	10.96-08.01	■
2.8 quattro (ALG)	-12/00	Gasolina	4WD	2771	142	193	10.96-08.01	■
2.8 quattro (AMX)	-12/00	Gasolina	4WD	2771	142	193	10.96-08.01	■
2.8 quattro (APR)	-12/00	Gasolina	4WD	2771	142	193	10.96-08.01	■
2.8 quattro (AQD)	-12/00	Gasolina	4WD	2771	142	193	10.96-08.01	■
2.8 quattro (ATQ)	-12/00	Gasolina	4WD	2771	142	193	10.96-08.01	■
1.9 TDI (AFF)	-12/97	Diesel	FWD	1896	55	75	12.95-11.00	■
1.9 TDI (1Z)	-12/97	Diesel	FWD	1896	66	90	01.95-11.00	■
1.9 TDI (AHH)	-12/97	Diesel	FWD	1896	66	90	01.95-11.00	■
1.9 TDI (AHU)	-12/97	Diesel	FWD	1896	66	90	01.95-11.00	■
1.9 TDI (AFN)	-12/97	Diesel	FWD	1896	81	110	10.95-11.00	■
1.9 TDI (AVG)	-12/97	Diesel	FWD	1896	81	110	10.95-11.00	■
1.9 TDI quattro (AFN)		Diesel	4WD	1896	81	110	07.96-01.00	■
1.9 TDI quattro (AVG)		Diesel	4WD	1896	81	110	07.96-01.00	■
1.9 TDI (AJM)		Diesel	FWD	1896	85	116	03.00-11.00	■
1.9 TDI quattro (AJM)		Diesel	4WD	1896	85	116	03.00-11.00	■
1.9 TDI quattro (ATJ)		Diesel	4WD	1896	85	116	03.00-11.00	■
2.5 TDI quattro (AFB)		Diesel	4WD	2496	110	150	09.97-11.00	■
2.5 TDI quattro (AKN)		Diesel	4WD	2496	110	150	09.97-11.00	■
A4 B5 Avant (8D5) 11.94-12.02							Estate (Compact executive car-D Segment)	
1.6 (ADP)	01/96-	Gasolina	FWD	1595	74	100	11.94-09.01	■
1.6 (AHL)	01/96-	Gasolina	FWD	1595	74	100	11.94-09.01	■
1.6 (ANA)	01/96-	Gasolina	FWD	1595	74	100	11.94-09.01	■
1.6 (ARM)	01/96-	Gasolina	FWD	1595	74	100	11.94-09.01	■
1.8 (AFY)	-12/97	Gasolina	FWD	1781	85	115	07.95-09.01	■
1.8 quattro (AFY)	01/97-	Gasolina	4WD	1781	85	115	07.95-09.01	■
1.8 (ADR)	-12/97	Gasolina	FWD	1781	92	125	02.96-09.01	■
1.8 (APT)	-12/97	Gasolina	FWD	1781	92	125	02.96-09.01	■
1.8 (ARG)	-12/97	Gasolina	FWD	1781	92	125	02.96-09.01	■
1.8 (AVV)	-12/97	Gasolina	FWD	1781	92	125	02.96-09.01	■
1.8 quattro (ADR)	-12/99	Gasolina	4WD	1781	92	125	01.96-09.01	■
1.8 quattro (APT)	-12/99	Gasolina	4WD	1781	92	125	01.96-09.01	■
1.8 quattro (ARG)	-12/99	Gasolina	4WD	1781	92	125	01.96-09.01	■
1.8 T (AEB)	-12/97	Gasolina	FWD	1781	110	150	03.96-09.01	■
1.8 T (ANB)	-12/97	Gasolina	FWD	1781	110	150	03.96-09.01	■
1.8 T (APU)	-12/97	Gasolina	FWD	1781	110	150	03.96-09.01	■
1.8 T (ARK)	-12/97	Gasolina	FWD	1781	110	150	03.96-09.01	■
1.8 T (AWT)	-12/97	Gasolina	FWD	1781	110	150	03.96-09.01	■
1.8 T quattro (AEB)	-12/00	Gasolina	4WD	1781	110	150	01.96-09.01	■

LISTA DE APLICACIONES - BUYERS GUIDE

1.8 T quattro (ANB)	-12/00	Gasolina	4WD	1781	110	150	01.96-09.01	■	
1.8 T quattro (APU)	-12/00	Gasolina	4WD	1781	110	150	01.96-09.01	■	
1.8 T quattro (ARK)	-12/00	Gasolina	4WD	1781	110	150	01.96-09.01	■	
1.8 T quattro (ATW)	-12/00	Gasolina	4WD	1781	110	150	01.96-09.01	■	
1.8 T quattro (AWT)	-12/00	Gasolina	4WD	1781	110	150	01.96-09.01	■	
1.8 T quattro (AJL)		Gasolina	4WD	1781	132	180	12.97-09.01	■	
2.4		Gasolina	FWD	2393	110	150	07.95-07.97	■	
2.4 quattro (AJG)		Gasolina	4WD	2393	120	163	08.97-09.01	■	
2.4 quattro (APZ)		Gasolina	4WD	2393	120	163	08.97-09.01	■	
2.4 quattro (AGA)		Gasolina	4WD	2393	121	165	03.97-09.01	■	
2.4 quattro (ALF)		Gasolina	4WD	2393	121	165	03.97-09.01	■	
2.4 quattro (AML)		Gasolina	4WD	2393	121	165	03.97-09.01	■	
2.4 quattro (APS)		Gasolina	4WD	2393	121	165	03.97-09.01	■	
2.4 quattro (ARJ)		Gasolina	4WD	2393	121	165	03.97-09.01	■	
2.6		Gasolina	FWD	2598	102	139	01.96-07.97	■	
2.6 (ABC)	-12/97	Gasolina	FWD	2598	110	150	02.96-09.01	■	
2.6 quattro (ABC)	-12/99	Gasolina	4WD	2598	110	150	01.96-09.01	■	
S4 quattro (AGB)	-12/99	Gasolina	4WD	2671	195	265	09.97-09.01	■	
S4 quattro (AZB)	-12/99	Gasolina	4WD	2671	195	265	09.97-09.01	■	
2.8 (AAH)		Gasolina	FWD	2771	128	174	03.96-09.96	■	
2.8 quattro (AAH)		Gasolina	4WD	2771	128	174	01.96-09.96	■	
2.8 (ACK)	-12/97	Gasolina	FWD	2771	142	193	10.96-09.01	■	
2.8 (AHA)	-12/97	Gasolina	FWD	2771	142	193	10.96-09.01	■	
2.8 (ALG)	-12/97	Gasolina	FWD	2771	142	193	10.96-09.01	■	
2.8 (APR)	-12/97	Gasolina	FWD	2771	142	193	10.96-09.01	■	
2.8 (AQD)	-12/97	Gasolina	FWD	2771	142	193	10.96-09.01	■	
2.8 quattro (ACK)	-12/00	Gasolina	4WD	2771	142	193	10.96-09.01	■	
2.8 quattro (AHA)	-12/00	Gasolina	4WD	2771	142	193	10.96-09.01	■	
2.8 quattro (ALG)	-12/00	Gasolina	4WD	2771	142	193	10.96-09.01	■	
2.8 quattro (AMX)	-12/00	Gasolina	4WD	2771	142	193	10.96-09.01	■	
2.8 quattro (APR)	-12/00	Gasolina	4WD	2771	142	193	10.96-09.01	■	
2.8 quattro (AQD)	-12/00	Gasolina	4WD	2771	142	193	10.96-09.01	■	
2.8 quattro (ATQ)	-12/00	Gasolina	4WD	2771	142	193	10.96-09.01	■	
1.9 TDI (AFF)	-12/97	Diesel	FWD	1896	55	75	03.96-09.01	■	
1.9 TDI (1Z)	-12/97	Diesel	FWD	1896	66	90	02.96-09.01	■	
1.9 TDI (AHH)	-12/97	Diesel	FWD	1896	66	90	02.96-09.01	■	
1.9 TDI (AHU)	-12/97	Diesel	FWD	1896	66	90	02.96-09.01	■	
1.9 TDI (AFN)	-12/97	Diesel	FWD	1896	81	110	02.96-09.01	■	
1.9 TDI (AVG)	-12/97	Diesel	FWD	1896	81	110	02.96-09.01	■	
1.9 TDI quattro (AFN)		Diesel	4WD	1896	81	110	09.96-09.01	■	
1.9 TDI quattro (AVG)		Diesel	4WD	1896	81	110	09.96-09.01	■	
1.9 TDI (AJM)		Diesel	FWD	1896	85	115	03.00-09.01	■	
1.9 TDI (ATJ)		Diesel	FWD	1896	85	115	03.00-09.01	■	
1.9 TDI quattro (ATJ)		Diesel	4WD	1896	85	115	03.00-09.01	■	
2.5 TDI quattro (AFB)		Diesel	4WD	2496	110	150	09.97-09.01	■	
2.5 TDI quattro (AKN)		Diesel	4WD	2496	110	150	09.97-09.01	■	
A6 C4 Avant (4A5) 06.94-01.98					Estate (Executive car-E Segment)				
1.8 (ADR)		Gasolina	FWD	1781	92	125	12.95-12.97	■	
1.8 quattro (ADR)		Gasolina	4WD	1781	92	125	12.95-12.97	■	
2.0 (AAE)		Gasolina	FWD	1984	74	100	06.94-12.97	■	
2.0		Gasolina	FWD	1984	79	107	08.95-07.96	■	

LISTA DE APLICACIONES - BUYERS GUIDE

2.0 (ADW)		Gasolina	FWD	1984	79	107	06.94-07.95	■
2.0 (ABK)		Gasolina	FWD	1984	85	115	06.94-12.97	■
2.0 16V (ACE)		Gasolina	FWD	1984	103	140	06.94-12.97	■
2.0 16V quattro (ACE)		Gasolina	4WD	1984	103	140	06.94-12.97	■
S6 Turbo quattro (AAN)		Gasolina	4WD	2226	169	230	06.94-12.97	■
2.3 (AAR)		Gasolina	FWD	2309	98	133	06.94-12.95	■
2.3 quattro (AAR)		Gasolina	4WD	2309	98	133	06.94-12.95	■
2.4		Gasolina	FWD	2393	110	150	07.96-12.97	■
2.6 (ACZ)		Gasolina	FWD	2598	102	139	06.94-02.97	■
2.6 (ABC)		Gasolina	FWD	2598	110	150	06.94-12.97	■
2.6 quattro (ABC)		Gasolina	4WD	2598	110	150	06.94-12.97	■
2.8		Gasolina	FWD	2771	120	163	08.95-07.96	■
2.8 (AEJ)		Gasolina	FWD	2771	120	163	06.94-07.95	■
2.8 (AAH)		Gasolina	FWD	2771	128	174	06.94-12.97	■
2.8 (AFC)		Gasolina	FWD	2771	128	174	06.94-12.97	■
2.8 quattro (AAH)		Gasolina	4WD	2771	128	174	06.94-12.97	■
2.8 quattro (AFC)		Gasolina	4WD	2771	128	174	06.94-12.97	■
2.8 (ACK)		Gasolina	FWD	2771	142	193	12.95-12.97	■
2.8 quattro (ACK)		Gasolina	4WD	2771	142	193	12.95-12.97	■
S6 4.2 quattro (AEC)		Gasolina	4WD	4172	213	290	06.94-12.97	■
S6 Plus quattro (AHK)		Gasolina	4WD	4172	240	326	04.96-12.97	■
1.9 TDI (1Z)		Diesel	FWD	1896	66	90	06.94-12.97	■
1.9 TDI (AHU)		Diesel	FWD	1896	66	90	06.94-12.97	■
2.5 TDI		Diesel	FWD	2461	84	114	01.95-12.97	■
2.5 TDI (AAT)		Diesel	FWD	2461	85	116	06.94-12.97	■
2.5 TDI (AEL)	01/95-	Diesel	FWD	2461	103	140	08.94-12.97	■
2.5 TDI quattro (AEL)		Diesel	4WD	2461	103	140	07.95-12.97	■
A6 II (U.S.A. C5) 09.95-12.04					Saloon (Executive car-E Segment)			
2.8	01/95-	Gasolina	FWD	2795			09.95-	■
2.8	01/95-	Gasolina	FWD	2795			09.95-	■
2.8	01/95-	Gasolina	FWD	2795			09.95-	■
2.8	01/95-	Gasolina	FWD	2795			09.95-	■
2.8 30V	01/95-	Gasolina	FWD	2795			09.95-	■
2.8 30V	01/95-	Gasolina	FWD	2795			09.95-	■
2.8 30V	01/95-	Gasolina	FWD	2795			09.95-	■
2.8 30V	01/95-	Gasolina	FWD	2795			09.95-	■
2.8 30V	01/95-	Gasolina	FWD	2795			09.95-	■
2.8 V30 Quattro	01/95-	Gasolina	FWD	2795			09.95-	■
2.8 V30 Quattro	01/95-	Gasolina	FWD	2795			09.95-	■
2.8 V30 Quattro	01/95-	Gasolina	FWD	2795			09.95-	■
2.8 V30 Quattro	01/95-	Gasolina	FWD	2795			09.95-	■
2.8 V30 Quattro	01/95-	Gasolina	FWD	2795			09.95-	■
2.8 V30 Quattro	01/95-	Gasolina	FWD	2795			09.95-	■
2.8 V30 Quattro	01/95-	Gasolina	FWD	2795			09.95-	■
2.8 V30 Quattro	01/95-	Gasolina	FWD	2795			09.95-	■
A6 C4 (4A2) 06.94-01.98					Saloon (Executive car-E Segment)			
1.8 (ADR)		Gasolina	FWD	1781	92	125	12.95-10.97	■
1.8 quattro (ADR)		Gasolina	4WD	1781	92	125	12.95-10.97	■
2.0 (AAE)		Gasolina	FWD	1984	74	100	06.94-10.97	■
2.0 (ADW)		Gasolina	FWD	1984	79	107	06.94-07.95	■
2.0 (ABK)		Gasolina	FWD	1984	85	115	06.94-10.97	■

LISTA DE APLICACIONES - BUYERS GUIDE

2.0 16V (ACE)		Gasolina	FWD	1984	103	140	06.94-10.97	■
2.0 16V quattro (ACE)		Gasolina	4WD	1984	103	140	06.94-10.97	■
S6 Turbo quattro (AAN)		Gasolina	4WD	2226	169	230	06.94-10.97	■
2.3 (AAR)		Gasolina	FWD	2309	98	133	06.94-12.95	■
2.3 quattro (AAR)		Gasolina	4WD	2309	98	133	06.94-12.95	■
2.4 (AFM)		Gasolina	FWD	2393	110	150	07.95-06.96	■
2.6 (ACZ)		Gasolina	FWD	2598	102	139	06.94-10.97	■
2.6 (ABC)		Gasolina	FWD	2598	110	150	06.94-10.97	■
2.6 quattro (ABC)		Gasolina	4WD	2598	110	150	06.94-10.97	■
2.8 (AEJ)		Gasolina	FWD	2771	120	163	08.95-07.96	■
2.8 (AAH)		Gasolina	FWD	2771	128	174	06.94-10.97	■
2.8 (AFC)		Gasolina	FWD	2771	128	174	06.94-10.97	■
2.8 quattro (AAH)		Gasolina	4WD	2771	128	174	06.94-10.97	■
2.8 quattro (AFC)		Gasolina	4WD	2771	128	174	06.94-10.97	■
2.8 (ACK)		Gasolina	FWD	2771	142	193	12.95-10.97	■
2.8 quattro (ACK)		Gasolina	4WD	2771	142	193	12.95-10.97	■
S6 4.2 quattro (AEC)		Gasolina	4WD	4172	213	290	06.94-10.97	■
S6 Plus quattro (AHK)		Gasolina	4WD	4172	240	326	04.96-10.97	■
1.9 TDI (1Z)		Diesel	FWD	1896	66	90	06.94-10.97	■
1.9 TDI (AHU)		Diesel	FWD	1896	66	90	06.94-10.97	■
2.5 TDI		Diesel	FWD	2461	84	114	01.95-10.97	■
2.5 TDI (AAT)		Diesel	FWD	2461	85	116	06.94-10.97	■
2.5 TDI (AEL)	01/95-	Diesel	FWD	2461	103	140	08.94-10.97	■
2.5 TDI quattro (AEL)		Diesel	4WD	2461	103	140	10.95-10.97	■
A8 (U.S.A. D2) 09.96-12.02								Saloon (Luxury car-F Segment)
3.7 32V	01/95-	Gasolina	FWD	3695	169	230	09.96-	■
3.7 32V	01/97-	Gasolina	FWD	3695	169	230	09.96-	■
3.7 32V	01/97-	Gasolina	FWD	3695	169	230	09.96-	■
4.2 quattro	01/97-	Gasolina	FWD	4195			09.96-	■
4.2 quattro	01/97-	Gasolina	FWD	4195			09.96-	■
A8 D2 (4D2, 4D8) 03.94-12.05								Saloon (Luxury car-F Segment)
2.8 (AEJ)		Gasolina	FWD	2771	120	163	07.95-03.96	■
2.8 quattro (AEJ)		Gasolina	4WD	2771	120	163	07.95-03.96	■
2.8 (AAH)		Gasolina	FWD	2771	128	174	03.94-03.96	■
2.8 quattro (AAH)		Gasolina	4WD	2771	128	174	03.94-03.96	■
2.8 (ACK)	-12/98	Gasolina	FWD	2771	142	193	04.96-09.02	■
2.8 (ALG)	-12/98	Gasolina	FWD	2771	142	193	04.96-09.02	■
2.8 (AMX)	-12/98	Gasolina	FWD	2771	142	193	04.96-09.02	■
2.8 (APR)	-12/98	Gasolina	FWD	2771	142	193	04.96-09.02	■
2.8 (AQD)	-12/98	Gasolina	FWD	2771	142	193	04.96-09.02	■
2.8 quattro (ACK)	-12/98	Gasolina	4WD	2771	142	193	04.96-09.02	■
2.8 quattro (ALG)	-12/98	Gasolina	4WD	2771	142	193	04.96-09.02	■
2.8 quattro (AMX)	-12/98	Gasolina	4WD	2771	142	193	04.96-09.02	■
2.8 quattro (APR)	-12/98	Gasolina	4WD	2771	142	193	04.96-09.02	■
2.8 quattro (AQD)	-12/98	Gasolina	4WD	2771	142	193	04.96-09.02	■
3.7 (AEW)		Gasolina	FWD	3697	169	230	07.95-12.98	■
3.7 quattro (AEW)		Gasolina	4WD	3697	169	230	07.95-11.98	■
3.7 quattro (AKJ)		Gasolina	4WD	3697	169	230	07.95-11.98	■
4.2 quattro (AEM)		Gasolina	4WD	4172	180	245	03.94-07.96	■
4.2 quattro		Gasolina	4WD	4172	210	286	07.95-09.98	■
4.2 quattro (ABZ)		Gasolina	4WD	4172	220	299	03.94-11.98	■

LISTA DE APLICACIONES - BUYERS GUIDE

4.2 quattro (AKG)		Gasolina	4WD	4172	220	299	03.94-11.98	■
S8 quattro (AHC)		Gasolina	4WD	4172	250	340	07.96-06.99	■
S8 quattro (AKH)		Gasolina	4WD	4172	250	340	07.96-06.99	■
2.5 TDI (AFB)	-12/98	Diesel	FWD	2496	110	150	01.97-04.00	■
2.5 TDI (AKN)	-12/98	Diesel	FWD	2496	110	150	01.97-04.00	■
2.5 TDI quattro (AFB)	-12/98	Diesel	4WD	2496	110	150	07.97-04.00	■
2.5 TDI quattro (AKN)	-12/98	Diesel	4WD	2496	110	150	07.97-04.00	■
CABRIOLET (U.S.A.) 09.93-12.98					Convertible (Compact executive car-D Segment)			
2.8	01/94-	Gasolina	FWD	2795	128	174	09.93-	■
2.8 30V	01/95-	Gasolina	FWD	2795	128	174	09.93-	■
CABRIOLET B3 (8G7) 05.91-08.00					Convertible (Compact executive car-D Segment)			
1.8 (ADR)		Gasolina	FWD	1781	92	125	01.97-08.00	■
2.0 E (ABK)		Gasolina	FWD	1984	85	115	01.93-07.98	■
2.0 16V (ACE)		Gasolina	FWD	1984	103	140	06.95-07.96	■
2.3 E (NG)		Gasolina	FWD	2309	98	133	05.91-07.94	■
2.6		Gasolina	FWD	2598	102	139	05.95-08.00	■
2.6 (ABC)		Gasolina	FWD	2598	110	150	06.93-08.00	■
2.8 (AAH)		Gasolina	FWD	2771	128	174	11.92-08.00	■
2.8 (AFC)		Gasolina	FWD	2771	128	174	11.92-08.00	■
1.9 TDI (1Z)		Diesel	FWD	1896	66	90	06.95-08.00	■
1.9 TDI (AHU)		Diesel	FWD	1896	66	90	06.95-08.00	■
COUPE II (U.S.A.) 09.89-12.91					Coupe (Compact executive car-D Segment)			
2.3 20V quattro	01/90-	Gasolina	FWD	2295			09.89-	■
2.3 20V quattro	01/90-	Gasolina	FWD	2295			09.89-	■
2.3 20V quattro	01/90-	Gasolina	FWD	2295			09.89-	■
2.3 20V quattro	01/90-	Gasolina	FWD	2295			09.89-	■
COUPE II B3 (89, 8B3) 10.88-12.96					Coupe (Compact executive car-D Segment)			
1.8 (DZ)		Gasolina	FWD	1781	82	112	08.89-07.91	■
2.0 (3A)		Gasolina	FWD	1984	82	112	03.90-07.90	■
2.0 (3A)		Gasolina	FWD	1984	83	113	05.89-03.90	■
2.0 (AAD)	-12/94	Gasolina	FWD	1984	85	115	05.89-12.96	■
2.0 (ABK)	-12/94	Gasolina	FWD	1984	85	115	05.89-12.96	■
2.0 16V (6A)		Gasolina	FWD	1984	101	137	01.92-07.92	■
2.0 16V (ACE)		Gasolina	FWD	1984	103	140	08.92-12.96	■
2.0 20V (NM)		Gasolina	FWD	1994	118	160	08.89-07.91	■
2.0 20V Quattro (NM)		Gasolina	4WD	1994	118	160	08.89-07.91	■
2.2		Gasolina	FWD	2226	100	136	11.88-07.91	■
2.2 quattro (KV)		Gasolina	4WD	2226	100	136	11.88-07.91	■
S2 quattro (3B)		Gasolina	4WD	2226	162	220	09.90-09.92	■
S2 quattro (ABY)		Gasolina	4WD	2226	169	230	10.92-12.96	■
2.3 (NG)		Gasolina	FWD	2309	98	133	03.90-12.96	■
2.3 quattro (NG)		Gasolina	4WD	2309	98	134	05.90-12.96	■
2.3 (NG)		Gasolina	FWD	2309	100	136	10.88-07.94	■
2.3 quattro (NG)		Gasolina	4WD	2309	100	136	11.88-12.92	■
2.3 20V (7A)		Gasolina	FWD	2309	123	167	08.90-07.91	■
2.3 20V quattro (7A)		Gasolina	4WD	2309	123	167	05.90-12.96	■
2.3 20V (7A)		Gasolina	FWD	2309	125	170	08.89-07.91	■
2.3 20V quattro (7A)		Gasolina	4WD	2309	125	170	11.88-07.91	■
2.3 20V quattro		Gasolina	4WD	2309	125	170	05.89-07.91	■

LISTA DE APLICACIONES - BUYERS GUIDE

2.6 (ABC)		Gasolina	FWD	2598	110	150	08.92-12.96	■
2.6 quattro (ABC)		Gasolina	4WD	2598	110	150	08.92-12.96	■
2.8 (AAH)		Gasolina	FWD	2771	128	174	09.91-12.96	■
2.8 quattro (AAH)		Gasolina	4WD	2771	128	174	08.91-12.96	■
COUPE B2 (81, 855, 856) 07.80-10.88					Coupe (Compact executive car-D Segment)			
1.8 GT (JN)	01/86-	Gasolina	FWD	1781	68	93	01.85-07.88	■
1.8 GT (PV)	-12/86	Gasolina	FWD	1781	79	107	08.86-10.87	■
2.0 (HP)	01/86-	Gasolina	FWD	1994	85	115	09.83-07.86	■
2.0 (JS)	01/86-	Gasolina	FWD	1994	85	115	09.83-07.86	■
2.2 GT (HY)	01/86-	Gasolina	FWD	2226	100	136	09.84-10.88	■
2.2 GT (KV)	01/86-	Gasolina	FWD	2226	100	136	09.84-10.88	■
2.2 quattro (KV)	01/86-	Gasolina	4WD	2226	100	136	10.84-10.88	■
2.3 (NG)		Gasolina	FWD	2309	98	133	08.86-07.87	■
2.3 quattro (NG)		Gasolina	4WD	2309	98	133	01.87-12.87	■
QUATTRO (85) 07.80-07.91					Coupe (Sports car-S Segment)			
2.1 Turbo quattro (WX)		Gasolina	4WD	2144	119	162	02.82-07.89	■
2.1 Turbo (GV)		Gasolina	4WD	2144	147	200	07.80-07.87	■
2.1 Turbo (WR)		Gasolina	4WD	2144	147	200	07.80-07.87	■
2.1 20V Turbo (KW)		Gasolina	4WD	2144	225	306	05.84-07.87	■
2.2 quattro (JT)		Gasolina	4WD	2226	89	121	12.84-07.87	■
2.2 quattro (HY)		Gasolina	4WD	2226	100	136	12.84-07.87	■
2.2 quattro (KV)		Gasolina	4WD	2226	100	136	12.84-07.87	■
2.2 Turbo (MB)		Gasolina	4WD	2226	147	200	08.87-07.89	■
2.2 20V Turbo (RR)		Gasolina	4WD	2226	162	220	08.89-07.91	■
QUATTRO (U.S.A.) 09.82-12.86					Hatchback (Sports car-S Segment)			
2.2 quattro	01/83-	Gasolina	FWD	2195	98	133	09.82-	■
2.3 quattro	01/86-	Gasolina	FWD	2295	98	133	09.82-	■
V8 (441, 442, 4C2, 4C8) 10.88-02.94					Saloon (Luxury car-F Segment)			
3.6 quattro (PT)		Gasolina	4WD	3562	180	245	04.93-02.94	■
3.6 quattro (PT)		Gasolina	4WD	3562	184	250	10.88-02.94	■
4.2 quattro (ABH)		Gasolina	4WD	4172	206	280	10.91-02.94	■
AUDI (FAW)								
100 (443, 4A2) 08.88-06.95					Saloon (Executive car-E Segment)			
1.8		Gasolina	FWD	1781	66	90	08.88-12.90	■
2.0		Gasolina	FWD	1984	79	107	11.93-07.94	■
2.2		Gasolina	FWD	2226	96	131	08.89-12.90	■
2.6		Gasolina	FWD	2598	102	139	01.93-06.95	■
200 (447) 08.88-09.99					Saloon (Executive car-E Segment)			
2.2 Turbo		Gasolina	FWD	2226	121	165	08.88-11.90	■
80 (8C2) 07.93-06.95					Saloon (Compact executive car-D Segment)			
2.0		Gasolina	FWD	1984	79	107	11.93-06.95	■
2.6		Gasolina	FWD	2598	102	139	07.93-06.95	■
2.6		Gasolina	FWD	2598	102	139	11.93-06.95	■
A6 C5 (4Y8) 09.99-12.06					Saloon (Executive car-E Segment)			
1.8		Gasolina	FWD	1781	92	125	01.00-12.05	■