

LISTA DE APLICACIONES - BUYERS GUIDE

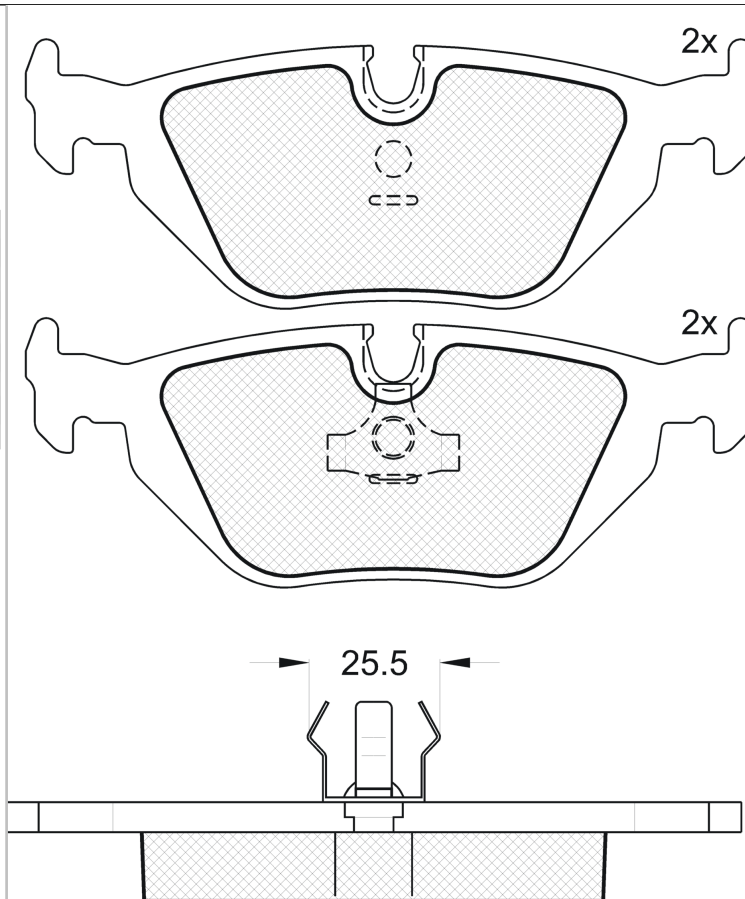
180802



Qty: 944

Weight: 855

O.E.M.	MAKE
34 21 1 160 341	BMW
34 21 1 161 456	BMW
34 21 1 162 446	BMW
34 21 1 165 233	BMW
34 21 2 157 621	BMW
34 21 6 761 238	BMW
86 60 004 466	RENAULT
86 71 016 639	RENAULT



180802

E1 90R-01033/144



Ate - Teves

123.1x44.9x16.8

WVA	FMSI
20180	D396-7449
20181	
MAKE	
BMW	
De La Chapelle	
HARTGE	
WIESMANN	



Trac.	CC	Kw	CV
-------	----	----	----



Front / Rear

BMW

						Saloon (Compact executive car-D Segment)				
3 Serie II (E30) 09.82-03.92										
320i (M20 B20 (206KA))		Gasolina	RWD	1990	95	129	10.86-04.91		■	
320i		Gasolina	RWD	1990	110	150	12.85-06.90		■	
320 is (S14 B20 (204EA))		Gasolina	RWD	1990	141	192	05.88-12.90		■	
3 Serie II Touring (E30) 07.87-10.94										
320i (M20 B20 (206KA))		Gasolina	RWD	1991	95	129	01.88-12.91		■	
3 Serie III (E36) 03.93-11.99										
						Convertible (Compact executive car-D Segment)				
318i (M43 B18 (184E2))	-12/98	Gasolina	RWD	1796	85	115	03.94-11.99		■	
320i (M50 B20 (206S2))	-12/98	Gasolina	RWD	1990	110	150	12.93-11.99		■	
320i (M52 B20 (206S3))	-12/98	Gasolina	RWD	1990	110	150	12.93-11.99		■	
323 i (M52 B25 (256S3))	-12/98	Gasolina	RWD	2494	125	170	05.95-11.99		■	
325i (M50 B25 (256S2))		Gasolina	RWD	2494	141	192	03.93-08.95		■	
328i (M52 B28 (286S1))	-12/98	Gasolina	RWD	2793	142	193	01.95-11.99		■	
3 Serie III (E36) 10.91-05.99										
						Coupe (Compact executive car-D Segment)				
316 i (M43 B16 (164E2))		Gasolina	RWD	1596	75	102	09.93-11.98		■	
318 is (M42 B18 (184S1))		Gasolina	RWD	1796	103	140	01.92-12.95		■	
318 is (M44 B19 (194S1))	-12/98	Gasolina	RWD	1895	103	140	09.95-04.99		■	
320i (M50 B20 (206S1))		Gasolina	RWD	1990	110	150	12.91-11.98		■	
320i (M50 B20 (206S2))		Gasolina	RWD	1990	110	150	12.91-11.98		■	
320i (M52 B20 (206S3))		Gasolina	RWD	1990	110	150	12.91-11.98		■	
323 i (M52 B25 (256S3))	-12/98	Gasolina	RWD	2494	125	170	05.95-04.99		■	
325i (M50 B25 (256S1))		Gasolina	RWD	2494	141	192	10.91-02.95		■	

LISTA DE APLICACIONES - BUYERS GUIDE

325i (M50 B25 (256S2))		Gasolina	RWD	2494	141	192	10.91-02.95	■	
328i (M52 B28 (286S1))	-12/98	Gasolina	RWD	2793	142	193	01.95-04.99	■	
3 Serie III (E36) 09.90-11.98							Saloon (Compact executive car-D Segment)		
316 i (M40 B16 (164E1))		Gasolina	RWD	1596	73	100	03.91-08.93	■	
316 i (M43 B16 (164E2))		Gasolina	RWD	1596	75	102	09.93-05.98	■	
316 i		Gasolina	RWD	1596	75	102	09.90-09.93	■	
318i (M43 B18 (184E2))		Gasolina	RWD	1796	85	115	09.93-11.98	■	
318i		Gasolina	RWD	1796	103	140	02.92-12.95	■	
318 is (M42 B18 (184S1))		Gasolina	RWD	1796	103	140	09.93-12.95	■	
318 is (M44 B19 (194S1))		Gasolina	RWD	1895	103	140	01.96-05.98	■	
320i (M50 B20 (206S1))		Gasolina	RWD	1990	110	150	01.91-02.98	■	
320i (M50 B20 (206S2))		Gasolina	RWD	1990	110	150	01.91-02.98	■	
320i (M52 B20 (206S3))		Gasolina	RWD	1990	110	150	01.91-02.98	■	
323 i (M52 B25 (256S3))		Gasolina	RWD	2494	125	170	05.95-11.98	■	
325i (M50 B25 (256S1))		Gasolina	RWD	2494	141	192	09.90-12.95	■	
325i (M50 B25 (256S2))		Gasolina	RWD	2494	141	192	09.90-12.95	■	
328i (M52 B28 (286S1))		Gasolina	RWD	2793	142	193	01.95-04.98	■	
318 tds (M41 D17 (174T1))		Diesel	RWD	1665	66	90	01.95-02.98	■	
325 td (M51 D25 (256T1))		Diesel	RWD	2497	85	115	09.91-02.98	■	
325 tds (M51 D25 (256T1))		Diesel	RWD	2497	105	143	05.93-02.98	■	
3 Serie III Touring (E36) 08.94-12.99							Estate (Compact executive car-D Segment)		
316 i (M43 B16 (164E2))	-12/98	Gasolina	RWD	1596	75	102	03.97-05.99	■	
318i (M43 B18 (184E2))	-12/98	Gasolina	RWD	1796	85	116	09.95-04.99	■	
320i (M52 B20 (206S3))	-12/98	Gasolina	RWD	1990	110	150	01.95-04.99	■	
323 i (M52 B25 (256S3))	-12/98	Gasolina	RWD	2494	125	170	12.95-04.99	■	
328i (M52 B28 (286S1))	-12/98	Gasolina	RWD	2793	142	193	02.95-04.99	■	
318 tds (M41 D17 (174T1))	-12/98	Diesel	RWD	1665	66	90	03.95-04.99	■	
325 tds (M51 D25 (256T1))	-12/98	Diesel	RWD	2497	105	143	03.95-04.99	■	
3 Serie III Compact (E36) 01.94-08.00							Hatchback (Compact executive car-D Segment)		
316 i (M43 B16 (164E2))		Gasolina	RWD	1596	75	102	01.94-08.00	■	
318 ti (M42 B18 (184S1))		Gasolina	RWD	1796	103	140	09.94-12.95	■	
316 i (M43 B19 (194E1))		Gasolina	RWD	1895	77	105	01.99-08.00	■	
318 ti (M44 B19 (194S1))		Gasolina	RWD	1895	103	140	01.96-08.99	■	
323 ti (M52 B25 (256S3))		Gasolina	RWD	2494	120	163	01.99-08.00	■	
323 ti (M52 B25 (256S3))	01/98-	Gasolina	RWD	2494	125	170	09.97-08.00	■	
316 g (M43 B16 (164E2))		Gasol./Gas (CNG)	RWD	1596	75	102	02.96-08.00	■	
318 tds (M41 D17 (174T1))	01/98-	Diesel	RWD	1665	66	90	06.95-08.00	■	
Z1 (Z1) 06.88-06.91							Convertible (Sports car-S Segment)		
2.5 (M20 B25 (256K1))		Gasolina	RWD	2494	125	170	06.88-06.91	■	
Z3 (E36) 10.95-01.03							Convertible (Sports car-S Segment)		
1.8 i (M43 B18 (184E2))	-12/97	Gasolina	RWD	1796	85	116	10.95-10.98	■	
1.9 i (M43 B19 (194E1))	-12/02	Gasolina	RWD	1895	85	116	01.99-01.03	■	
1.9 i (M43 B19 (194E1))	-12/02	Gasolina	RWD	1895	87	118	07.98-01.03	■	
1.9 i (M44 B19 (194S1))		Gasolina	RWD	1895	103	140	11.95-03.99	■	
2.0 i (M52 B20 (206S4))	-12/00	Gasolina	RWD	1990	110	150	04.99-01.03	■	
2.2 i (M54 B22 (226S1))		Gasolina	RWD	2171	120	163	08.00-01.03	■	
2.2 i (M54 B22 (226S1))		Gasolina	RWD	2171	125	170	10.00-06.02	■	
2.5 i (M54 B25 (256S5))	discØ 272	Gasolina	RWD	2494	141	192	10.00-08.02	■	

LISTA DE APLICACIONES - BUYERS GUIDE

2.8 i (M52 B28 (286S1))		Gasolina	RWD	2793	142	193	11.96-05.00	■	
2.8 i (M52 B28 (286S1))		Gasolina	RWD	2793	143	194	01.96-05.00	■	
2.8 i (M52 B28 (286S2))		Gasolina	RWD	2793	143	194	01.96-05.00	■	
3.0 i (M54 B30 (306S3))	-12/02	Gasolina	RWD	2979	170	231	06.00-01.03	■	
Z3 (E36) 04.97-06.03							Coupe (Sports car-S Segment)		
2.8 i (M52 B28 (286S1))		Gasolina	RWD	2793	142	193	01.98-05.00	■	
2.8 i (M52 B28 (286S2))		Gasolina	RWD	2793	142	193	01.98-05.00	■	
3.0 i (M54 B30 (306S3))		Gasolina	RWD	2979	170	231	06.00-06.03	■	
De La Chapelle									
55 01.78-12.92							Convertible (Sports car-S Segment)		
2.0	01/89-	Gasolina	FWD	1995			01.78-	■	
2.7	01/89-	Gasolina	FWD	2695			01.78-	■	
2.7	01/89-	Gasolina	FWD	2695			01.78-	■	
2.8	01/92-	Gasolina	FWD	2795			01.78-	■	
ATLANTE 57S 09.92-12.95							Coupe (Sports car-S Segment)		
2.0	01/92-	Gasolina	FWD	1995			09.92-	■	
2.7	01/92-	Gasolina	FWD	2695			09.92-	■	
2.8	01/92-	Gasolina	FWD	2795			09.92-	■	
HARTGE									
H 01.89-							Convertible (Sports car-S Segment)		
2.8 H 5	01/91-	Gasolina	FWD	2795	170	231	01.89-	■	
H 01.89-							Coupe (Sports car-S Segment)		
2.5 H 3	01/91-	Gasolina	FWD	2495	199	271	01.91-	■	
2.8 H 5	01/91-	Gasolina	FWD	2795	170	231	01.89-	■	
WIESMANN									
ROADSTER 01.96-							Convertible (Sports car-S Segment)		
2.8 (M52 (286S1))	-12/99	Gasolina	RWD	2793	142	193	01.96-08.02	■	