

# LISTA DE APLICACIONES - BUYERS GUIDE

## 180804-700

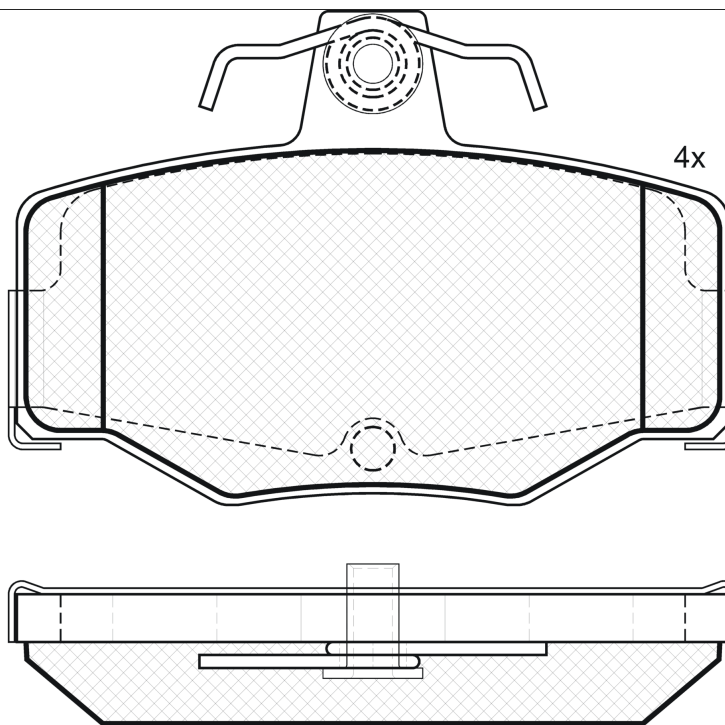


8 424073 05354 1

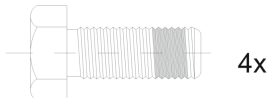
Qty: 944

Weight: 907

O.E.M.	MAKE
44060-3F025	NISSAN
44060-3F085	NISSAN
44060-70J25	NISSAN
44060-70J26	NISSAN
44060-BM425	NISSAN
44060-BM426	NISSAN
86 60 004 458	RENAULT
86 71 016 533	RENAULT
D4060-006VA	NISSAN
D4060-BM40A	NISSAN

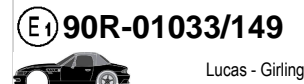


## 180804-700



1-690042

## 180804-700



84x57x15.6

WVA	FMSI
21545	D1187-8305
24404	

**MAKE**  
NISSAN



Trac.	CC	Kw	CV
-------	----	----	----



### NISSAN

ALMERA II / PULSAR / SENTRA (N16) 01.00-							Hatchback (Compact car-C Segment)	
1.5 (QG15DE)		Gasolina	FWD	1497	72	98	10.02-09.06	■
1.5 (QG15DE)	-12/02	Gasolina	FWD	1498	66	90	03.00-11.06	■
1.5 XL	01/03-	Gasolina	FWD	1498	77	105	03.01-	■
1.6	01/00-	Gasolina	FWD	1595			01.00-	■
1.8 (QG18DE)	01/01-	Gasolina	FWD	1769	84	114	01.00-11.02	■
1.8 (QG18DE)		Gasolina	FWD	1769	85	116	10.02-09.06	■
1.8	-12/07	Gasolina	FWD	1769	94	128	08.02-	■
1.8	01/00-	Gasolina	FWD	1795			01.00-	■
2.0	-12/07	Gasolina	FWD	1998	107	145	08.02-	■
1.5 dCi (K9K 722)		Diesel	FWD	1461	60	82	01.03-09.06	■
2.2 Di (YD22DDT)	01/01-	Diesel	FWD	2184	81	110	03.00-04.03	■
2.2 dCi (YD22DDT)		Diesel	FWD	2184	82	112	09.03-09.06	■
2.2 dCi (YD22DDTI)		Diesel	FWD	2184	100	136	09.03-09.06	■
ALMERA II / PULSAR / SENTRA (N16) 04.00-							Saloon (Compact car-C Segment)	
1.5 (QG15DE)		Gasolina	FWD	1497	72	98	10.02-09.06	■
1.5	-12/07	Gasolina	FWD	1498	77	105	03.01-	■
1.8 (QG18DE)		Gasolina	FWD	1769	85	116	10.02-09.06	■
1.8	-12/07	Gasolina	FWD	1769	94	128	01.02-	■
2.0	-12/07	Gasolina	FWD	1998	107	145	08.02-	■
1.5 dCi (K9K 722)		Diesel	FWD	1461	60	82	01.03-09.06	■
2.2 dCi (YD22DDT)		Diesel	FWD	2184	82	112	09.03-09.06	■
2.2 dCi (YD22DDTI)		Diesel	FWD	2184	100	136	09.03-09.06	■

# LISTA DE APLICACIONES - BUYERS GUIDE

<b>ALMERA II TINO (V10) 12.98-02.06</b>					<b>MPV (Compact MPV-M1 Segment)</b>			
1.8 (QG18DE)		Gasolina	FWD	1769	84	114	08.00-02.06	■
1.8 (QG18DE)		Gasolina	FWD	1769	85	116	12.02-02.06	■
2.0 (SR20DE)		Gasolina	FWD	1998	100	136	08.00-01.03	■
2.2 dCi (YD22DDT)		Diesel	FWD	2184	82	112	09.03-02.06	■
2.2 dCi (YD22DDTI)		Diesel	FWD	2184	84	115	08.00-02.06	■
2.2 dCi (YD22DDTI)		Diesel	FWD	2184	100	136	09.03-02.06	■
<b>PRIMERA (P10) 06.90-06.96</b>					<b>Hatchback (Large family car-D Segment)</b>			
1.6 (GA16DE)		Gasolina	FWD	1597	75	102	06.93-01.96	■
2.0 16V (SR20DI)	-12/95	Gasolina	FWD	1998	85	116	06.90-01.96	■
2.0 16V 4x4 (SR20DI)		Gasolina	4WD	1998	85	116	04.91-06.96	■
2.0 i (SR20DE)		Gasolina	FWD	1998	92	125	01.95-06.96	■
2.0 (SR20DE)		Gasolina	FWD	1998	105	143	06.90-04.93	■
2.0 GT		Gasolina	FWD	1998	105	143	03.91-04.93	■
2.0 (SR20DE)		Gasolina	FWD	1998	110	150	06.90-01.96	■
2.0 (SR20DE)		Gasolina	FWD	1998	112	152	09.90-01.96	■
<b>PRIMERA (P10) 06.90-06.96</b>					<b>Saloon (Large family car-D Segment)</b>			
1.6 (GA16DS)		Gasolina	FWD	1597	66	90	06.90-01.96	■
1.6 (GA16DE)		Gasolina	FWD	1597	75	102	06.93-01.96	■
2.0 16V (SR20DI)	-12/95	Gasolina	FWD	1998	85	116	06.90-01.96	■
2.0 16V 4x4 (SR20DI)		Gasolina	4WD	1998	85	116	04.91-06.96	■
2.0 i (SR20DE)		Gasolina	FWD	1998	92	125	01.95-06.96	■
2.0 (SR20DE)		Gasolina	FWD	1998	96	131	06.90-05.96	■
2.0		Gasolina	FWD	1998	105	143	06.90-04.93	■
2.0 GT 4x4 (SR20DE)		Gasolina	4WD	1998	105	143	03.91-04.93	■
2.0 4x4 (SR20DE)		Gasolina	4WD	1998	110	150	03.91-04.93	■
2.0 GT (SR20DE)		Gasolina	FWD	1998	110	150	06.90-01.96	■
<b>PRIMERA II (P11) 06.96-07.02</b>					<b>Hatchback (Large family car-D Segment)</b>			
1.6 16V (GA16DE)	01/99-	Gasolina	FWD	1597	66	90	09.96-07.02	■
1.6 16V (GA16DE)	01/99-	Gasolina	FWD	1597	73	99	09.96-07.02	■
1.6 16V (QG16DE)		Gasolina	FWD	1597	78	106	09.00-07.02	■
1.8 16V (QG18DE)		Gasolina	FWD	1769	84	114	08.99-07.02	■
2.0 16V (SR20DE)		Gasolina	FWD	1998	85	115	09.96-07.02	■
2.0 16V (SR20DE)	-12/00	Gasolina	FWD	1998	96	131	09.96-07.02	■
2.0 16V (SR20DE)	-12/00	Gasolina	FWD	1998	103	140	08.99-07.02	■
2.0 16V (SR20DE)	-12/00	Gasolina	FWD	1998	110	150	09.96-07.02	■
1.6 16V LPG		Gasol./Gas (LPG)	FWD	1597	78	106	09.00-07.02	■
1.8 16V LPG		Gasol./Gas (LPG)	FWD	1769	84	114	08.99-07.02	■
2.0 16V LPG		Gasol./Gas (LPG)	FWD	1998	96	131	09.96-07.02	■
2.0 TD (CD20T)	01/99-	Diesel	FWD	1974	66	90	09.96-07.02	■
<b>PRIMERA II (P11) 06.96-07.02</b>					<b>Saloon (Large family car-D Segment)</b>			
1.6 16V (GA16DE)	01/99-	Gasolina	FWD	1597	66	90	09.96-12.01	■
1.6 16V (GA16DE)	01/99-	Gasolina	FWD	1597	73	99	09.96-10.00	■
1.6 16V (QG16DE)		Gasolina	FWD	1597	78	106	06.96-12.01	■
1.8 16V (QG18DE)		Gasolina	FWD	1769	84	114	08.99-12.01	■
1.8		Gasolina	FWD	1769	96	131	06.96-05.99	■
2.0 16V (SR20DE)		Gasolina	FWD	1998	85	115	09.96-12.01	■

## LISTA DE APLICACIONES - BUYERS GUIDE

2.0 16V (SR20DE)	-12/00	Gasolina	FWD	1998	96	131	09.96-12.01	■
2.0 16V (SR20DE)	-12/00	Gasolina	FWD	1998	103	140	08.99-12.01	■
2.0 16V (SR20DE)		Gasolina	FWD	1998	105	143	06.96-12.01	■
2.0 16V (SR20DE)	-12/00	Gasolina	FWD	1998	110	150	09.96-12.01	■
2.0		Gasolina	FWD	1998	140	190	06.96-05.99	■
1.8 LPG		Gasol./Gas (LPG)	FWD	1769	84	114	08.99-12.01	■
2.0 TD (CD20T)	01/98-	Diesel	FWD	1974	66	90	09.96-12.01	■
<b>PRIMERA II Traveller (WP11) 06.96-01.02</b>				<b>Estate (Large family car-D Segment)</b>				
1.6 16V (GA16DE)		Gasolina	FWD	1597	66	90	04.98-12.01	■
1.6 16V (GA16DE)		Gasolina	FWD	1597	73	99	04.98-12.01	■
1.6 16V		Gasolina	FWD	1597	80	109	04.98-12.01	■
1.8 16V (QG18DE)		Gasolina	FWD	1769	84	114	08.99-12.01	■
2.0 16V (SR20DE)	01/98-	Gasolina	FWD	1998	85	115	06.96-12.01	■
2.0 16V (SR20DE)	-12/99	Gasolina	FWD	1998	96	131	04.98-12.01	■
2.0 16V (SR20DE)	-12/00	Gasolina	FWD	1998	103	140	08.99-12.01	■
1.8 16V LPG		Gasol./Gas (LPG)	FWD	1769	84	114	08.99-12.01	■
2.0 TD (CD20T)		Diesel	FWD	1974	66	90	04.98-12.01	■