

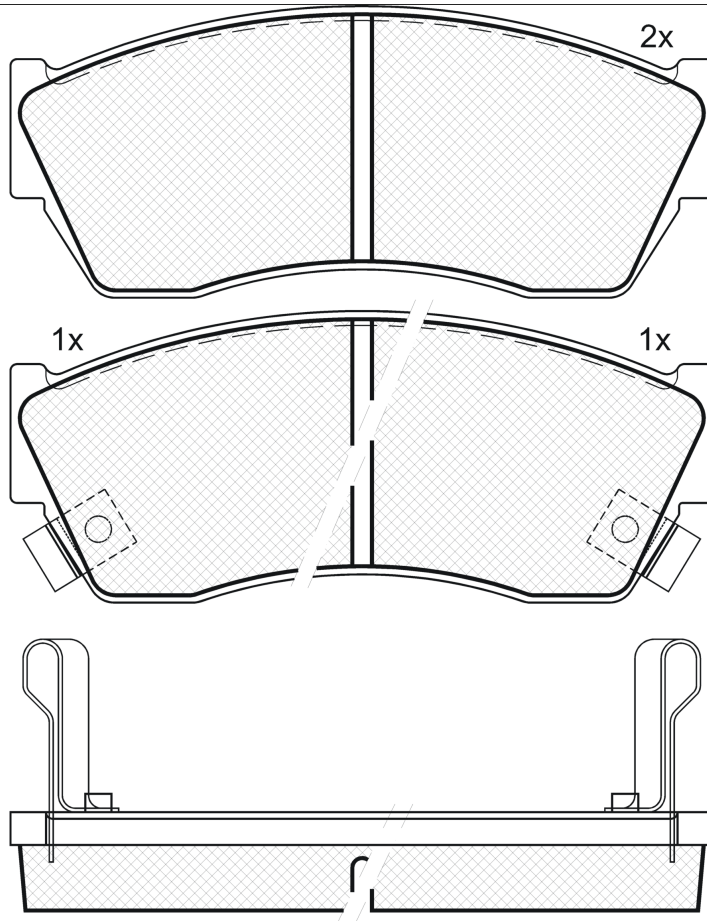
LISTA DE APLICACIONES - BUYERS GUIDE

180811



Qty: 300

Weight: 960



180811

E 9 90R-01111/263



Akebono

107.45x44.6x15

O.E.M.	MAKE
5520 0618 80	CHEVROLET
55200-51810	SUZUKI
55200-51811	SUZUKI
55200-51811-000	SUZUKI
55200-60B10	SUZUKI
55200-60B11	SUZUKI
55200-61880	SUZUKI
55200-62840	MARUTI
55200-86810	SUZUKI
55200-86830	SUZUKI
55250-60B80	SUZUKI
55250-64B10	SUZUKI
55251-60B80	SUZUKI
55251-64B10	SUZUKI
55300-86810	SUZUKI

WVA	FMSI
21333	D451-7331
21334	
21335	

MAKE
CHEVROLET
HOLDEN
MARUTI
SUBARU
SUZUKI
TATA



Trac.	CC	Kw	CV		Front / Rear
-------	----	----	----	--	--------------

CHEVROLET									
GEO METRO 01.89-							MPV (Large MPV-M1 Segment)		
1.0 LS	01/89-	Gasolina	FWD	995	39	53	01.89-	■	
1.3 LS	01/94-	Gasolina	FWD	1295	49	67	01.89-	■	
METRO 02.91-12.04							Hatchback (Supermini car-B Segment)		
1.0		Gasolina	FWD	993	39	53	02.91-12.03	■	
1.3 (G13BA)		Gasolina	FWD	1298	50	68	06.93-12.04	■	
HOLDEN									
BARINA (MF) 02.89-04.97							Hatchback (Supermini car-B Segment)		
MH, MF	01/89-	Gasolina	FWD				02.89-	■	
MARUTI									
ALTO 01.95-							Hatchback (City car-A Segment)		
0.8		Gasolina	FWD	796	35	48	09.00-12.06	■	
1.0	01/95-	Gasolina	FWD	995	39	53	01.95-	■	
1.1		Gasolina	FWD	1061	47	64	09.00-12.06	■	
SUBARU									
JUSTY II (JMA, MS) 10.95-11.03							Hatchback (Supermini car-B Segment)		
1.3 GX 4x4 (EF13)	-12/98	Gasolina	4WD	1298	50	68	10.95-11.03	■	
SUZUKI									
ALTO IV (EF, SH410_) 10.93-06.02							Hatchback (City car-A Segment)		
0.7	01/93-	Gasolina	FWD	700	47	64	10.93-	■	
0.7	01/94-	Gasolina	FWD	700	47	64	10.93-	■	

LISTA DE APLICACIONES - BUYERS GUIDE

0.7	01/98-	Gasolina	FWD	700	47	64	10.93-	■	
1.0 (SH410)		Gasolina	FWD	993	39	53	09.94-06.02	■	
ALTO V (HA12_, HA23_, HA22_) 10.97-09.14					Hatchback (City car-A Segment)				
0.7		Gasolina	FWD	657	34	46	10.97-09.04	■	
1.0 (G10BB)		Gasolina	FWD	993	43	58	01.00-06.02	■	
1.3		Gasolina	FWD	1298	63	86	10.98-09.00	■	
1.6		Gasolina	FWD	1590	71	97	10.98-09.00	■	
CAPPUCCINO (EE) 02.92-08.98					Convertible (City car-A Segment)				
0.7 (SX306, EA11) (F6A)		Gasolina	RWD	657	47	64	02.92-08.95	■	
0.7 (SX306, EA21) (F6A)		Gasolina	RWD	657	47	64	08.95-08.98	■	
SWIFT / CULTUS (SF413) 09.91-10.96					Convertible (Supermini car-B Segment)				
1.3 i (SF413, AK35, SY415, E35) (G13BA)		Gasolina	FWD	1298	50	68	09.91-10.96	■	
SWIFT II / CULTUS (EA, MA) 03.89-12.05					Hatchback (Supermini car-B Segment)				
1.0 (SF310, AA44) (G10)	-12/92	Gasolina	FWD	993	37	50	03.89-05.01	■	
1.0 (SF310, AA44) (G10A)	-12/92	Gasolina	FWD	993	37	50	03.89-05.01	■	
1.0 i (SF310, AA44) (G10A)	-12/98	Gasolina	FWD	993	39	53	01.95-12.05	■	
1.0 i (SF310, AA44) (G10A)	01/91-	Gasolina	FWD	993	40	54	03.89-12.91	■	
1.3	01/94-	Gasolina	FWD	1295			03.89-	■	
1.3 (SF413, AB35)	01/94-	Gasolina	FWD	1298	50	68	03.89-05.01	■	
1.3 (SF413) (G13BA)	-12/94	Gasolina	FWD	1298	51	69	03.89-10.96	■	
1.3 (SF413) (G13BB)		Gasolina	FWD	1298	63	86	06.01-12.03	■	
1.3 GTi (SF413, AA34) (G13B)		Gasolina	FWD	1298	74	101	03.89-05.01	■	
1.3 4WD (SF413, AA35) (G13A)	01/94-	Gasolina	4WD	1324	50	68	03.89-05.01	■	
1.3 (SF413, AB35) (G13A)		Gasolina	FWD	1324	52	71	03.89-12.91	■	
1.3 4WD (SF413, AF35) (G13A)		Gasolina	4WD	1324	52	71	10.89-12.91	■	
1.6 4x4 (SF416) (G16B)		Gasolina	4WD	1590	68	92	03.89-10.96	■	
SWIFT II / CULTUS (AH, AJ) 03.89-05.01					Saloon (Supermini car-B Segment)				
1.0 (G10A)		Gasolina	FWD	993	39	53	01.94-05.01	■	
1.3 (G13BA)		Gasolina	FWD	1298	49	67	10.90-07.97	■	
1.3 (SF413, AH35, MA) (G13B)		Gasolina	FWD	1298	50	68	01.91-12.95	■	
1.3 (G13BA)		Gasolina	FWD	1298	52	71	09.89-12.94	■	
1.3 (SF413, AH35) (G13B)		Gasolina	FWD	1298	52	71	03.89-12.91	■	
1.6 i (SF416, AH14) (G16B)	-12/96	Gasolina	FWD	1590	68	92	01.90-05.01	■	
1.6 i 4WD (SF416, AJ14) (G16B)	-12/96	Gasolina	4WD	1590	68	92	01.90-05.01	■	
1.6 (SF416, AH14) (G16B)		Gasolina	FWD	1590	70	95	11.89-12.91	■	
1.6 4WD (SF416, AJ14) (G16B)		Gasolina	4WD	1590	70	95	11.89-12.91	■	
SWIFT / CULTUS / SA 310 (AA) 10.83-12.89					Hatchback (Supermini car-B Segment)				
1.3 GTi/GXi (SA413, AA33) (G13B)	01/86-	Gasolina	FWD	1298	74	101	08.85-03.89	■	
TATA									
INDIGO (4_V2) 01.03-					Saloon (Supermini car-B Segment)				
1.2		Gasolina	FWD	1193	48	65	02.08-	■	
1.4		Gasolina	FWD	1396	63	86	09.05-	■	
1.4		Gasolina	FWD	1396	74	101	09.05-	■	
1.4 (475 SI)		Gasolina	FWD	1405	62	85	01.03-	■	
1.4 D	-12/10	Diesel	RWD	1364	51	69	05.06-	■	
1.4 D	-12/10	Diesel	FWD	1396	52	70	01.08-	■	
1.4 D (475 DL)		Diesel	FWD	1405	46	62	01.03-	■	
1.4 TD (475 DL)	-12/10	Diesel	FWD	1405	52	71	07.03-	■	

LISTA DE APLICACIONES - BUYERS GUIDE

INDIGO MARINA (4_V2) 01.03-					Estate (Supermini car-B Segment)			
1.4 (474 SI)	Gasolina	FWD	1396	62	84	09.05-12.10	■	
1.4 (475 SI)	Gasolina	FWD	1405	62	85	01.03-12.10	■	
1.4 D	Diesel	RWD	1364	51	69	05.06-12.10	■	
1.4 D (475 DL)	Diesel	FWD	1405	46	62	01.03-12.10	■	
1.4 TD (475 DL)	Diesel	FWD	1405	52	71	07.03-12.10	■	