

LISTA DE APLICACIONES - BUYERS GUIDE

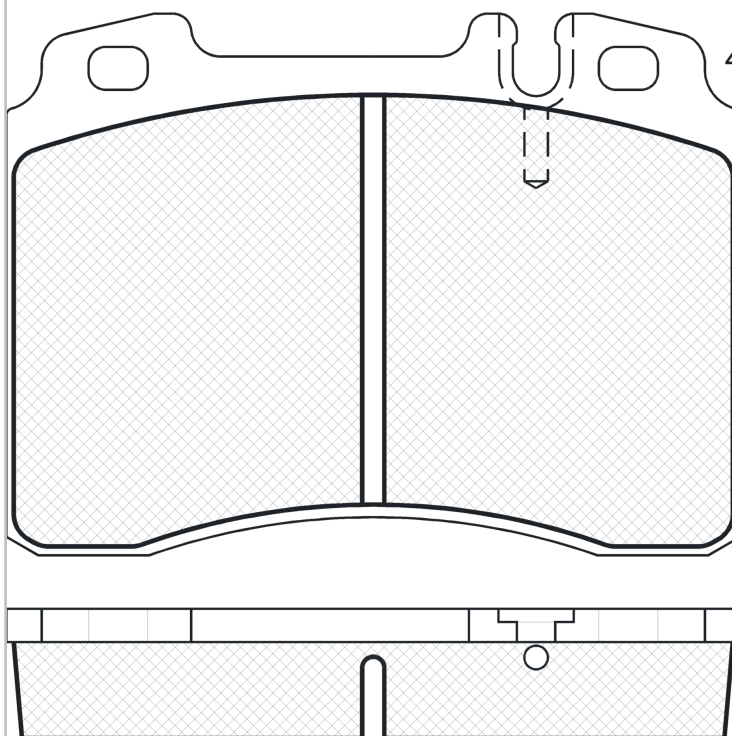
180861



Qty: 300

Weight: 1.612

O.E.M.	MAKE
001 420 94 20	MERCEDES-BENZ
001 420 98 20	MERCEDES-BENZ
002 420 15 20	MERCEDES-BENZ
005 420 02 20	MERCEDES-BENZ
005 420 02 20 41	MERCEDES-BENZ



180861

E 90R-01111/452



Ate - Teves

4x

99.8x73.6x17.5

WVA	FMSI
21153	D561-7440 D561-9489
MAKE	
MERCEDES-BENZ	



Trac.	CC	Kw	CV
-------	----	----	----



Front / Rear

MERCEDES-BENZ

124 (A124) 09.91-06.93	Convertible (Executive car-E Segment)
300 CE-24 (124.061) (M 104.980)	Gasolina RWD 2960 162 220 04.92-06.93 ■
300 CE-24 (124.061) (M 104.980)	Gasolina RWD 2960 170 231 04.92-06.93 ■
320 CE (124.066) (M 104.992)	Gasolina RWD 3199 162 220 10.92-05.93 ■
124 (C124) 03.87-07.93	Coupe (Executive car-E Segment)
300 CE-24 (124.051) (M 104.980)	Gasolina RWD 2960 162 220 09.89-12.92 ■
300 CE-24 (124.051) (M 104.980)	Gasolina RWD 2960 170 231 09.89-12.92 ■
320 CE (124.052) (M 104.992)	Gasolina RWD 3199 162 220 10.92-05.93 ■
124 (W124) 12.84-08.93	Saloon (Executive car-E Segment)
300 E-24 (124.031) (M 104.980)	Gasolina RWD 2960 162 220 09.88-08.92 ■
300 E-24 (124.031) (M 104.980)	Gasolina RWD 2960 170 231 09.88-08.92 ■
320 E (124.032) (M 104.992)	Gasolina RWD 3199 162 220 10.92-06.93 ■
300 E-24 AMG (124.031)	Gasolina RWD 3428 200 272 09.91-06.93 ■
400 E 4.2 (124.034) (M 119.975)	Gasolina RWD 4196 205 279 10.92-06.93 ■
500 E	Gasolina RWD 4973 235 320 09.91-06.93 ■
500 E (124.036) (M 119.974)	Gasolina RWD 4973 240 326 01.91-06.93 ■
500 E AMG 6.0 (124.036)	Gasolina RWD 5956 275 374 01.92-06.93 ■
124 T-Model (S124) 09.85-12.93	Estate (Executive car-E Segment)
280 TE (124.088) (M 104.942)	Gasolina RWD 2799 145 197 10.92-06.93 ■
300 TE-24 (124.091) (M 104.980)	Gasolina RWD 2960 162 220 09.89-08.92 ■
300 TE-24 (124.091) (M 104.980)	Gasolina RWD 2960 170 231 09.89-08.92 ■
320 TE (124.092) (M 104.992)	Gasolina RWD 3199 162 220 10.92-06.93 ■

LISTA DE APLICACIONES - BUYERS GUIDE

190 (W201) 10.82-08.93						Saloon (Compact executive car-D Segment)			
2.5 16 E 16V Evolution	01/89-	Gasolina	FWD	2495	143	194	10.82-	■	
E 2.5-16 Evolution II (201.036) (M 102.992)		Gasolina	RWD	2498	173	235	05.90-08.93	■	
E 2.6 (201.029) (M 103.942)	-12/86	Gasolina	RWD	2597	118	160	09.86-08.93	■	
E 2.6 (201.029) (M 103.942)		Gasolina	RWD	2597	122	166	09.86-12.89	■	
C-Class (W202) 03.93-05.00						Saloon (Executive car-E Segment)			
C 36 AMG (202.028) (M 104.941 (AMG 3.6))		Gasolina	RWD	3606	200	272	09.94-12.96	■	
C 36 AMG (202.028) (M 104.941 (AMG 3.6))		Gasolina	RWD	3606	206	280	05.94-05.00	■	
CLK-Class (A208) 03.98-03.02						Convertible (Executive car-E Segment)			
CLK 430 (208.470) (M 113.943)	-12/99	Gasolina	RWD	4266	205	279	09.98-03.02	■	
CLK-Class (C208) 06.97-12.03						Coupe (Executive car-E Segment)			
CLK 430 (208.370) (M 113.943)	-12/99	Gasolina	RWD	4266	205	279	07.98-06.02	■	
E-Class (A124) 05.93-03.98						Convertible (Executive car-E Segment)			
E 320 (124.066) (M 104.992)		Gasolina	RWD	3199	162	220	06.93-03.98	■	
E-Class (C124) 06.93-06.97						Coupe (Executive car-E Segment)			
E 320 (124.052) (M 104.992)	Manual Transmission	Gasolina	RWD	3199	162	220	06.93-06.97	■	
E-Class (W124) 02.93-06.96						Saloon (Executive car-E Segment)			
E 280 (124.029) (M 104.942)	not extend.wheelbase	Gasolina	RWD	2799	142	193	06.93-06.95	■	
E 280 (124.028) (M 104.942)		Gasolina	RWD	2799	145	197	06.93-06.95	■	
E 320 (124.032) (M 104.992)		Gasolina	RWD	3199	162	220	06.93-06.95	■	
E 36 AMG (M 104.992 (AMG 3.6))		Gasolina	RWD	3606	200	272	07.94-01.95	■	
E 420 (124.034) (M 119.975)		Gasolina	RWD	4196	205	279	06.93-06.95	■	
E 500 (124.036) (M 119.974)		Gasolina	RWD	4973	235	320	06.93-06.95	■	
E 500 (124.036) (M 119.974)		Gasolina	RWD	4973	240	326	07.93-09.95	■	
E 60 AMG (124.036) (M 119.974 (AMG 6.0))		Gasolina	RWD	5956	280	381	05.94-06.95	■	
E-Class II (VF210) 06.96-03.03						Platform/Chassis (LCVs-N1 Segment)			
E 280 (210.663) (M 112.921)	increased payload	Gasolina	RWD	2799	150	204	07.99-11.02	■	
E 270 CDI (210.616) (OM 612.961)	increased payload	Diesel	RWD	2685	125	170	07.99-12.02	■	
E-Class II (W210 U.S.A.) 09.94-12.02						Saloon (Executive car-E Segment)			
E320		Gasolina	FWD	3199	160	218	09.97-12.98	■	
E 420 (210.072) (M 119.985)		Gasolina	RWD	4196	205	279	01.96-06.97	■	
E 430 (210.070) (M 113.940)	-12/99	Gasolina	RWD	4266	205	279	06.97-03.02	■	
E 430 4-matic (210.083) (M 113.940)		Gasolina	4WD	4266	205	279	05.99-03.02	■	
E 50 AMG (210.072) (M 119.985 (AMG 5.0))	not AMG sports pack.	Gasolina	RWD	4973	255	347	02.96-08.97	■	
E-Class II T-Model (S210) 06.96-03.03						Estate (Executive car-E Segment)			
E 420 T (210.272) (M 119.985)		Gasolina	RWD	4196	205	279	06.96-06.97	■	
E 430 T (210.270) (M 113.940)	-12/99	Gasolina	RWD	4266	205	279	06.97-03.03	■	
E-Class T-Model (S124 U.S.A.) 09.92-12.03						Estate (Executive car-E Segment)			
E 280 T (124.088) (M 104.942)		Gasolina	RWD	2799	142	193	06.93-06.96	■	
E 280 T (124.088) (M 104.942)		Gasolina	RWD	2799	145	197	06.93-06.96	■	
E320		Gasolina	FWD	3199	160	218	09.97-12.98	■	
E 320 T (124.092) (M 104.992)		Gasolina	RWD	3199	162	220	06.93-06.96	■	
SL-Class IV (R129) 03.89-09.04						Convertible (Grand Tourer-S Segment)			
280 (129.058) (M 104.943)		Gasolina	RWD	2799	142	193	08.93-10.01	■	
280 (129.059) (M 112.923)	vehicles without ESP	Gasolina	RWD	2799	150	204	05.98-10.01	■	
300 SL (129.060) (M 103.984)		Gasolina	RWD	2960	140	190	03.89-08.93	■	

LISTA DE APLICACIONES - BUYERS GUIDE

300 SL-24 (129.061) (M 104.981)		Gasolina	RWD	2960	170	231	03.89-07.93	■
300 SL		Gasolina	RWD	2962	162	220	09.89-12.93	■
320 (129.064) (M 112.943)	vehicles without ESP	Gasolina	RWD	3199	165	224	05.98-10.01	■
320 (129.063) (M 104.991)		Gasolina	RWD	3199	170	231	09.93-10.01	■
500 (129.068) (M 113.961)		Gasolina	RWD	4966	225	306	05.98-10.01	■
500 (129.067) (M 119.972)	01/93-	Gasolina	RWD	4973	235	320	09.92-10.01	■
500 (129.067) (M 119.982)	01/93-	Gasolina	RWD	4973	235	320	09.92-10.01	■
500 SL (129.066) (M 119.960)		Gasolina	RWD	4973	240	326	09.89-08.92	■
500 SL (129.066) (M 119.972)		Gasolina	RWD	4973	240	326	09.89-08.92	■
55 AMG (M 113.985)		Gasolina	RWD	5439	260	354	03.00-10.01	■
5.4 55 AMG		Gasolina	FWD	5439	350	476	08.99-07.01	■
60 AMG (129.067) (M 119.972 (AMG 6.0))		Gasolina	RWD	5956	280	381	05.97-10.01	■
60 AMG (129.067) (M 119.982 (AMG 6.0))		Gasolina	RWD	5956	280	381	05.97-10.01	■
600 (129.076) (M 120.981)		Gasolina	RWD	5987	290	394	07.92-10.01	■
600 (129.076) (M 120.983)		Gasolina	RWD	5987	290	394	07.92-10.01	■
600 SL (129.076) (M 120.981)	-12/93	Gasolina	RWD	5987	300	408	02.92-08.94	■
600 SL (129.076) (M 120.983)	-12/93	Gasolina	RWD	5987	300	408	02.92-08.94	■
SL 73 AMG (129.076)		Gasolina	RWD	7291	386	525	01.99-12.01	■
SL-Class IV-V (U.S.A.) 09.93-12.11						Convertible (Grand Tourer-S Segment)		
SL320		Gasolina	FWD	3199	162	220	09.94-12.97	■