

LISTA DE APLICACIONES - BUYERS GUIDE

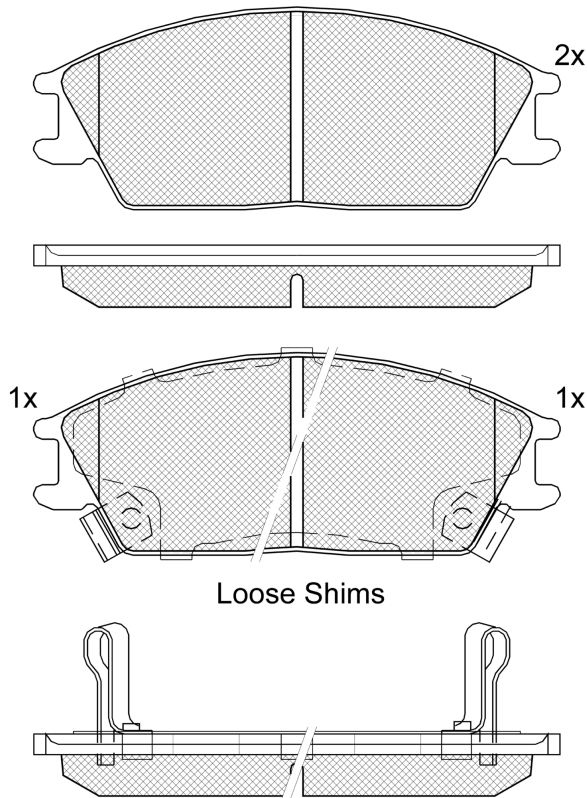
180887



Qty: 300

Weight: 1.152

O.E.M.	MAKE
58101-1CA00	HYUNDAI
58101-1CA10	HYUNDAI
58101-22A00	HYUNDAI
58101-22A10	HYUNDAI
58101-24B00	HYUNDAI
58101-24C00	HYUNDAI
58101-25A00	HYUNDAI
58101-25A10	HYUNDAI
58101-25A20	HYUNDAI
58101-28A10	HYUNDAI
58101-32A00	HYUNDAI
58101-M2A00	HYUNDAI
86 60 004 638	RENAULT
86 71 016 547	RENAULT
AL004-M1124	HYUNDAI



180887



E1 90R-01101/079

Akebono

127.5x49x15

WVA	FMSI
21012	D440-7293
21773	D497-7376
21774	

MAKE
HONDA
DODGE
HYUNDAI
INOKOM
JAC
KIA (DYK)



Trac.	CC	Kw	CV		
Front / Rear					

DODGE								
VERNA 10.02-08.06							Hatchback (Supermini car-B Segment)	
1.5		Gasolina	FWD	1495	65	88	10.02-08.06	■
VERNA 10.02-08.06							Saloon (Supermini car-B Segment)	
1.5		Gasolina	FWD	1495	65	88	10.02-08.06	■
HONDA								
ACCORD II (AC, AD) 09.83-10.85							Hatchback (Executive car-E Segment)	
1.6 EX (AC) (EZ)		Gasolina	FWD	1598	65	88	09.83-10.85	■
1.8 EX (AD) (ET1)		Gasolina	FWD	1829	74	101	09.83-10.85	■
ACCORD II (AC, AD) 09.83-10.85							Saloon (Executive car-E Segment)	
1.6 EX (AC) (EZ)		Gasolina	FWD	1598	65	88	09.83-10.85	■
1.8 EX (AD) (ET1)		Gasolina	FWD	1829	74	101	09.83-10.85	■
HYUNDAI								
ACCENT II / EXCEL (LC) 09.99-12.12							Hatchback (Supermini car-B Segment)	
1.3 (G4EA)		Gasolina	FWD	1341	55	75	01.00-11.05	■
1.3 (G4EA)		Gasolina	FWD	1341	61	83	01.00-11.05	■
1.3 (G4EA)		Gasolina	FWD	1341	62	84	08.02-11.05	■
1.3 (G4EA)		Gasolina	FWD	1341	63	86	01.00-11.05	■
1.5 12V	01/00-	Gasolina	FWD	1495			09.99-	■
1.5 12V	01/00-	Gasolina	FWD	1495			09.99-	■
1.5 (G4EK)		Gasolina	FWD	1495	65	88	09.99-10.02	■
1.5 (G4EB)		Gasolina	FWD	1495	66	90	01.00-11.05	■
1.5 (G4EK)		Gasolina	FWD	1495	68	92	01.00-10.02	■

LISTA DE APLICACIONES - BUYERS GUIDE

1.5 (G4EK)		Gasolina	FWD	1495	69	95	05.02-05.06	■
1.5 (G4EC-G)		Gasolina	FWD	1495	75	102	09.00-02.03	■
1.5 (CUHA,DMJA)		Gasolina	FWD	1495	76	103	06.00-12.02	■
1.5 (G4ECX)		Gasolina	FWD	1495	76	103	06.00-12.02	■
1.5 (G4FK)		Gasolina	FWD	1495	77	105	09.99-10.02	■
1.6 16V	01/01-	Gasolina	FWD	1595	81	110	09.99-	■
1.6 16V	01/01-	Gasolina	FWD	1595	81	110	09.99-	■
1.6 (G4ED)		Gasolina	FWD	1599	77	105	12.02-11.05	■
1.6		Gasolina	FWD	1599	78	106	01.00-11.05	■
1.5 CRDi (D3DA)		Diesel	FWD	1493	60	82	04.02-11.05	■
ACCENT II / VERNA (LC) 09.99-11.17				Saloon (Supermini car-B Segment)				
1.3 (G4EA)		Gasolina	FWD	1341	55	75	01.00-11.05	■
1.3 (G4EA)		Gasolina	FWD	1341	63	86	01.00-11.05	■
1.5 (G4EB)		Gasolina	FWD	1495	66	90	01.00-11.05	■
1.5 (G4EK)		Gasolina	FWD	1495	69	94	01.00-12.06	■
1.5 (G4FK)		Gasolina	FWD	1495	73	99	09.99-10.02	■
1.5 (G4FK)	01/00-	Gasolina	FWD	1495	75	102	09.99-10.02	■
1.6 (G4ED)		Gasolina	FWD	1599	77	105	12.02-11.05	■
1.5 LPG		Gasol./Gas (LPG)	FWD	1495	69	94	01.00-12.06	■
1.5 CRDi (D3DA)		Diesel	FWD	1493	60	82	01.02-11.05	■
ACCENT / EXCEL (X-2) 10.89-01.95				Hatchback Van (LCVs-N1 Segment)				
i		Gasolina	FWD	1468	62	84	10.91-11.94	■
ACCENT / EXCEL / PONY (X-3) 05.94-12.02				Hatchback (Supermini car-B Segment)				
1.3		Gasolina	FWD	1341	40	54	09.95-05.98	■
1.3 (G4CH)		Gasolina	FWD	1341	44	60	10.94-01.00	■
1.3 (G4EH)		Gasolina	FWD	1341	44	60	10.94-01.00	■
1.3 (G4DH)		Gasolina	FWD	1341	55	75	10.94-01.00	■
1.3 (G4EH)		Gasolina	FWD	1341	55	75	10.94-01.00	■
1.3 i 12V (G4EH)		Gasolina	FWD	1341	62	84	10.94-01.00	■
1.5 i 12V (G4EK)		Gasolina	FWD	1495	65	88	10.94-01.00	■
1.5 (G4EK)		Gasolina	FWD	1495	69	94	10.94-12.97	■
1.5 i 16V (G4FK)		Gasolina	FWD	1495	73	99	12.95-01.00	■
ACCENT / EXCEL / PONY (X-3) 04.94-12.01				Saloon (Supermini car-B Segment)				
1.3 (G4CH)		Gasolina	FWD	1341	44	60	10.94-01.00	■
1.3 (G4EH)		Gasolina	FWD	1341	44	60	10.94-01.00	■
1.3 (G4DH)		Gasolina	FWD	1341	55	75	10.94-01.00	■
1.3 (G4EH)		Gasolina	FWD	1341	55	75	10.94-01.00	■
1.3 i 12V (G4EH)		Gasolina	FWD	1341	62	84	10.94-01.00	■
1.5	01/95-	Gasolina	FWD	1495			04.94-	■
1.5 12V	01/95-	Gasolina	FWD	1495			04.94-	■
1.5 12V	01/95-	Gasolina	FWD	1495			04.94-	■
1.5 12V	01/95-	Gasolina	FWD	1495			04.94-	■
1.5 12V	01/95-	Gasolina	FWD	1495			04.94-	■
1.5 (G4EK)		Gasolina	FWD	1495	63	85	10.94-07.99	■
1.5 i 12V (G4EK)		Gasolina	FWD	1495	65	88	10.94-01.00	■
1.5 (G4EK)		Gasolina	FWD	1495	69	94	10.94-12.99	■
1.5 i 16V (G4FK)		Gasolina	FWD	1495	73	99	10.95-01.00	■
EXCEL II 01.90-11.95				Saloon (Supermini car-B Segment)				
1.4 GLX, GLS, Sonnet	01/90-	Gasolina	FWD	1395	49	67	01.90-	■

LISTA DE APLICACIONES - BUYERS GUIDE

1.5 GL, GLS, L Sonnet	01/90-	Gasolina	FWD	1495	53	72	01.90-	■
GETZ / CLICK / GETZ PRIME / TB (TB) 06.01-01.11				Hatchback (Supermini car-B Segment)				
1.1 (G4HD)		Gasolina	FWD	1086	46	63	09.02-09.05	■
1.1 (G4HD)	-12/08	Gasolina	FWD	1086	49	67	09.05-06.09	■
1.3 i (G4EA)		Gasolina	FWD	1341	60	82	09.02-03.04	■
1.3 (G4EA)		Gasolina	FWD	1341	61	83	09.04-06.09	■
1.3 (G4EA)		Gasolina	FWD	1341	63	85	09.03-09.05	■
1.4 i (G4EE)	-12/08	Gasolina	FWD	1399	71	97	08.05-12.10	■
1.5 (G4EK)		Gasolina	FWD	1495	66	90	06.01-01.04	■
1.5 i		Gasolina	FWD	1495	73	99	03.03-09.05	■
1.6 (G4ED)		Gasolina	FWD	1599	77	106	09.02-09.05	■
1.6 (G4ED)		Gasolina	FWD	1599	78	106	06.05-06.09	■
1.5 CRDi (D3EA)		Diesel	FWD	1493	60	82	03.03-09.05	■
1.5 CRDi (D4FA)	-12/08	Diesel	FWD	1493	65	88	08.05-06.09	■
1.5 CRDi GLS (D4FA)		Diesel	FWD	1493	75	102	07.04-08.05	■
1.5 CRDi GLS (D4FA)	-12/08	Diesel	FWD	1493	81	110	08.05-06.09	■
LANTRA II / AVANTE II / ELANTRA II (J-2) 01.95-12.02				Saloon (Compact car-C Segment)				
1.5 12V (G4EK)		Gasolina	FWD	1495	65	88	12.96-09.00	■
LANTRA / ELANTRA (J-1) 10.90-11.95				Saloon (Compact car-C Segment)				
1.5 i.e. (G4DJ)		Gasolina	FWD	1468	63	86	10.90-11.95	■
PONY III / EXCEL (X-2) 10.89-01.95				Hatchback (Supermini car-B Segment)				
1.3 (G4DG)	01/90-	Gasolina	FWD	1298	43	58	10.89-01.95	■
1.3 (G4DG)	01/90-	Gasolina	FWD	1298	49	67	10.89-01.95	■
1.3		Gasolina	FWD	1298	51	69	12.89-07.91	■
1.5 (G15B)	01/90-	Gasolina	FWD	1468	53	72	10.89-01.95	■
1.5 (G4DJ)	01/90-	Gasolina	FWD	1468	53	72	10.89-01.95	■
1.5 i (G15B)	01/90-	Gasolina	FWD	1468	61	83	10.89-01.95	■
1.5 i (G4DJ)	01/90-	Gasolina	FWD	1468	61	83	10.89-01.95	■
1.5 i (G15B)	01/90-	Gasolina	FWD	1468	62	84	10.89-01.95	■
1.5 i (G4DJ)	01/90-	Gasolina	FWD	1468	62	84	10.89-01.95	■
PONY III / EXCEL (X-1) 10.85-09.89				Saloon (Supermini car-B Segment)				
1.3 (G4DG)		Gasolina	FWD	1298	48	65	12.92-09.94	■
1.3 (G4DG)		Gasolina	FWD	1298	49	67	01.90-01.95	■
1.3 (G4DG)		Gasolina	FWD	1298	51	69	09.89-08.94	■
1.3 (G13B)		Gasolina	FWD	1299	50	68	10.85-09.89	■
1.5 (G4DJ)		Gasolina	FWD	1468	53	72	10.85-09.89	■
1.5 (G15B)		Gasolina	FWD	1468	53	72	01.90-01.95	■
1.5 (G4DJ)		Gasolina	FWD	1468	53	72	01.90-01.95	■
1.5 i (G15B)		Gasolina	FWD	1468	61	83	01.90-01.95	■
1.5 i (G4DJ)		Gasolina	FWD	1468	61	83	01.90-01.95	■
1.5 i (G15B)		Gasolina	FWD	1468	62	84	01.90-01.95	■
1.5 i (G4DJ)		Gasolina	FWD	1468	62	84	01.90-01.95	■
S COUPE (SLC) 02.90-05.96				Coupe (Compact car-C Segment)				
1.5 GS (G4DJ)		Gasolina	FWD	1468	57	78	03.90-12.92	■
1.5 i (G4DJ)	01/92-	Gasolina	FWD	1468	62	84	02.90-05.96	■
1.5 i (G4EK)	01/93-	Gasolina	FWD	1495	65	88	04.92-05.96	■
1.5 i Turbo (G4EK-TC)	01/92-	Gasolina	FWD	1495	85	116	04.91-05.96	■

LISTA DE APLICACIONES - BUYERS GUIDE

STELLAR (F31_, SF2_) 10.83-12.91					Saloon (Executive car-E Segment)			
1.6 (G32B)		Gasolina	RWD	1597	56	76	10.83-12.91	■
INOKOM								
GETZ (TB) 07.06-12.10					Hatchback (Supermini car-B Segment)			
1.4		Gasolina	FWD	1399	52	71	09.06-	■
JAC								
HEYUE A13 03.14-					Saloon (Compact MPV-M1 Segment)			
1.3		Gasolina	FWD	1332	73	99	03.14-	■
HEYUE A13 RS 03.14-					Hatchback (Compact MPV-M1 Segment)			
1.3		Gasolina	FWD	1332	73	99	03.14-	■
iEV4 04.14-					Saloon (Compact car-C Segment)			
EV (TZ210XJH1)		Eléctrico	FWD	0	42	57	09.15-	■
EV (Y13120001)		Eléctrico	FWD	0	60	82	04.17-	■
J3 03.10-					Hatchback (Compact car-C Segment)			
1.4		Gasolina	FWD	1332	72	98	03.10-	■
1.3		Gasolina	FWD	1332	79	107	01.11-	■
1.5 Jetflex		Gasolina	FWD	1499	92	125	07.13-	■
J3 04.09-					Saloon (Compact car-C Segment)			
1.4		Gasolina	FWD	1332	72	98	03.10-	■
1.4		Gasolina	FWD	1332	79	108	12.13-12.14	■
1.5 Turin S Flex (HFC4DB2)		Gasol./Etanol	FWD	1499	93	127	07.14-12.15	■
TONGYUE 11.08-12.14					Saloon ()			
1.3		Gasolina	FWD	1299	69	94	11.08-	■
1.3		Gasolina	FWD	1332	73	99	03.10-	■
1.5		Gasolina	FWD	1488	76	103	11.08-	■
TONGYUE RS 11.08-					Hatchback ()			
1.3		Gasolina	FWD	1299	69	94	11.08-	■
1.3		Gasolina	FWD	1332	73	99	03.10-	■
1.5		Gasolina	FWD	1488	76	103	11.08-	■
KIA (DYK)								
QIANLIMA 12.02-04.07					Saloon (Supermini car-B Segment)			
1.3		Gasolina	FWD	1341	61	83	06.03-	■
1.3 (G4EA)		Gasolina	FWD	1341	61	83	12.02-01.07	■
1.6		Gasolina	FWD	1599	77	104	12.02-	■