

LISTA DE APLICACIONES - BUYERS GUIDE

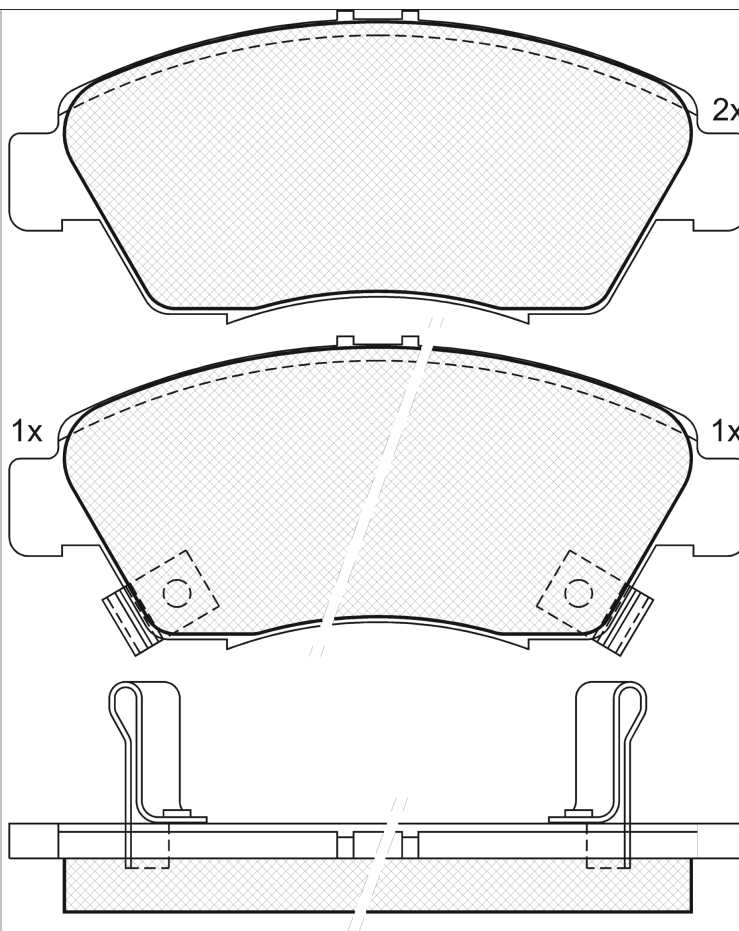
180959



8 424073 015617

Qty: 300

Weight: 1.700



180959



E 9 90R-01111/046

Akebono

136.3x57.8x17.3

WVA

21694

21695

21696

FMSI

D621-7497

MAKE

ACURA

HONDA



Trac.	CC	Kw	CV
-------	----	----	----



Front / Rear

ACURA

ILX 09.12-						Saloon (Compact car-C Segment)		
1.5 Hybrid		Gasol./el éc.	FWD	1497	68	92	11.12-	■
1.5 Hybrid		Gasol./el éc.	FWD	1497	83	113	09.12-	■

RSX (DC_) 10.01-						Coupe (Sport compact car-C Segment)		
2.0 Sport (K20A3)	-12/03	Gasolina	FWD	1998	118	160	10.01-10.06	■

HONDA

AIRWAVE (GJ) 06.04-						Estate (Supermini car-B Segment)		
1.5		Gasolina	FWD	1497	81	110	06.04-	■
1.5 iDSi MDS		Gasolina	FWD	1497	81	110	06.04-	■

CITY IV / FIT ARIA (GD_) 12.02-						Saloon (Supermini car-B Segment)		
1.3 (GD6) (L13A1)		Gasolina	FWD	1339	63	86	05.03-07.08	■
1.5 i-DSi (GD8) (L15A2)		Gasolina	FWD	1497	66	90	12.02-07.08	■
1.5 i-DSi (GD8) (L15A2)		Gasolina	FWD	1497	81	110	10.04-07.08	■

CIVIC V (EJ) 08.93-03.96						Coupe (Supermini car-B Segment)		
1.6 i (EJ6)		Gasolina	FWD	1590	77	105	01.94-11.95	■
1.6 i Vtec (EJ1) (D16Y6)		Gasolina	FWD	1590	92	125	01.94-03.96	■
1.6 i Vtec (EJ1) (D16Z9)		Gasolina	FWD	1590	92	125	01.94-03.96	■
1.6 i Vtec		Gasolina	FWD	1595	118	160	01.94-11.95	■

CIVIC V (EG, EH) 10.91-11.95						Hatchback (Supermini car-B Segment)		
1.4 16V		Gasolina	FWD	1396	66	90	01.95-04.97	■
1.6 VTi 16V (EG6) (B16A2)		Gasolina	FWD	1595	118	160	10.91-11.95	■

LISTA DE APLICACIONES - BUYERS GUIDE

CIVIC V (EG, EH) 10.91-12.96					Saloon (Supermini car-B Segment)			
1.5 (D15B2)		Gasolina	FWD	1493	66	90	10.93-12.95	■
1.6 EX		Gasolina	FWD	1590	88	120	08.93-10.95	■
1.6 16V Vtec (EH9, EH5) (D16Z6)		Gasolina	FWD	1590	92	125	10.91-11.95	■
1.6 16V Vtec (EH9, EH5) (D16Z7)		Gasolina	FWD	1590	92	125	10.91-11.95	■
1.6 4x4 (D16Z7)		Gasolina	4WD	1590	92	125	01.92-10.95	■
1.6 VTi (EG9) (B16A2)		Gasolina	FWD	1595	118	160	10.91-11.95	■
CIVIC VI (EJ, EM1) 03.96-12.00					Coupe (Supermini car-B Segment)			
1.6 i (EJ6) (D16Y7)		Gasolina	FWD	1590	77	105	03.96-03.00	■
1.6 (EJ6) (D16Y7)	discØ 262	Gasolina	FWD	1590	79	107	05.96-04.99	■
1.6 i Vtec (EM1) (D16Y8)		Gasolina	FWD	1590	92	125	03.96-03.00	■
1.6 i Vtec (EM1) (B16A2)		Gasolina	FWD	1595	118	160	04.99-12.00	■
CIVIC VI (MA, MB) 09.94-02.01					Hatchback (Supermini car-B Segment)			
1.4 i (EJ9) (D14A3)	01/98-	Gasolina	FWD	1396	55	75	11.95-02.01	■
1.4 i (EJ9) (D14Z1)	01/98-	Gasolina	FWD	1396	55	75	11.95-02.01	■
1.4 i (MA8, MB2) (D14A5)		Gasolina	FWD	1396	55	75	09.95-02.01	■
1.4 i (MA8, MB2) (D14A7)		Gasolina	FWD	1396	55	75	09.95-02.01	■
1.4 i (MA8, MB2) (D14Z3)		Gasolina	FWD	1396	55	75	09.95-02.01	■
1.4 i (MA8, MB2) (D14A2)		Gasolina	FWD	1396	66	90	06.95-02.01	■
1.4 i (MA8, MB2) (D14A6)		Gasolina	FWD	1396	66	90	06.95-02.01	■
1.4 i (MA8, MB2) (D14A8)		Gasolina	FWD	1396	66	90	06.95-02.01	■
1.4 i (MA8, MB2) (D14Z4)		Gasolina	FWD	1396	66	90	06.95-02.01	■
1.4 i S (EJ9) (D14A4)	01/98-	Gasolina	FWD	1396	66	90	11.95-02.01	■
1.4 i S (EJ9) (D14Z2)	01/98-	Gasolina	FWD	1396	66	90	11.95-02.01	■
1.4 i S (EJ9) (D14Z4)	01/98-	Gasolina	FWD	1396	66	90	11.95-02.01	■
1.5 16V (MB3) (D15Z8)		Gasolina	FWD	1493	84	114	01.97-02.01	■
1.5 i (EK3) (D15Z6)		Gasolina	FWD	1493	84	114	11.95-02.01	■
1.6 i (EK1) (D16Y5)		Gasolina	FWD	1590	84	114	11.95-02.01	■
1.6 (MB4) (D16W4)		Gasolina	FWD	1590	92	125	11.98-03.01	■
1.6 VTi (EK4) (B16A2)		Gasolina	FWD	1595	118	160	11.95-02.01	■
1.6 VTi (MB4) (B16A2)		Gasolina	FWD	1595	118	160	01.97-02.01	■
1.6 VTEC Type R		Gasolina	FWD	1595	136	185	08.97-09.00	■
1.4 LPG (D14Z4)	vehicles with ABS	Gasol./Gas (LPG)	FWD	1396	66	90	01.97-02.01	■
2.0 TDiC (MB7) (20T2N)		Diesel	FWD	1994	74	101	11.98-10.00	■
2.0 TDiC (20T2N)		Diesel	FWD	1994	77	105	11.98-10.00	■
CIVIC VI / BALLADE (EJ, EK, SO) 06.95-03.01					Saloon (Sport compact car-C Segment)			
1.2	01/98-	Gasolina	FWD	1243	55	75	11.97-03.01	■
1.4 (EJ9) (D14A4)	01/98-	Gasolina	FWD	1396	55	75	11.95-10.98	■
1.4 i (EJ9) (D14A4)	01/98-	Gasolina	FWD	1396	66	90	11.95-02.01	■
1.4 i (EJ9) (D14Z2)	01/98-	Gasolina	FWD	1396	66	90	11.95-02.01	■
1.4 i (EJ9) (D14Z4)	01/98-	Gasolina	FWD	1396	66	90	11.95-02.01	■
1.5 i (EK3) (D15Z4)		Gasolina	FWD	1493	84	114	11.95-02.01	■
1.5 i (EK3) (D15Z6)		Gasolina	FWD	1493	84	114	11.95-02.01	■
1.6 i Vtec (EK1, SO4) (D16Y6)		Gasolina	FWD	1590	92	125	11.95-02.01	■
1.6 i Vtec (EK1, SO4) (D16Y8)		Gasolina	FWD	1590	92	125	11.95-02.01	■
1.6 i Vtec 4x4 (D16Z7)		Gasolina	4WD	1590	92	125	11.95-02.01	■
1.6 VTi (EK4, SO4) (B16A2)		Gasolina	FWD	1595	118	160	11.95-02.01	■
1.7 (EK9)		Gasolina	FWD	1668	92	125	11.97-03.01	■

LISTA DE APLICACIONES - BUYERS GUIDE

CIVIC VII (EM2) 02.01-12.05					Coupe (Compact car-C Segment)			
1.6 i (EM1) (D16V1)		Gasolina	FWD	1590	81	110	02.01-12.05	■
1.7 i (EM2) (D17A8)		Gasolina	FWD	1668	88	120	05.01-12.05	■
1.7 i VTEC (EM2) (D17A5)		Gasolina	FWD	1668	92	125	05.01-12.05	■
1.7 i VTEC (EM2) (D17A9)		Gasolina	FWD	1668	92	125	05.01-12.05	■
CIVIC VII (EU, EP, EV) 01.00-02.06					Hatchback (Compact car-C Segment)			
1.4 i (EP1, EU7) (D14Z6)		Gasolina	FWD	1396	55	75	02.01-09.05	■
1.4 iS (EP1, EU5, EU7) (D14Z5)		Gasolina	FWD	1396	66	90	11.00-09.05	■
1.4 iS (EP1, EU5, EU7) (D14Z6)		Gasolina	FWD	1396	66	90	11.00-09.05	■
1.6 i (EP2, EU8, EU6) (D16V1)		Gasolina	FWD	1590	81	110	02.01-09.05	■
1.6 i (EP2, EU8, EU6) (D16W7)		Gasolina	FWD	1590	81	110	02.01-09.05	■
1.7 (ES1)		Gasolina	FWD	1668	92	125	01.00-08.05	■
CIVIC VII (ES, ET) 10.00-04.06					Saloon (Compact car-C Segment)			
1.2		Gasolina	FWD	1243	58	79	04.01-10.04	■
1.4 (ES4) (D14Z5)	01/01-	Gasolina	FWD	1396	66	90	12.00-09.05	■
1.5 (ES8) (D15Y3)		Gasolina	FWD	1493	82	112	02.03-09.05	■
1.6 (ES5) (D16W7)		Gasolina	FWD	1590	81	110	02.01-09.05	■
1.6		Gasolina	FWD	1595	84	114	02.01-09.05	■
1.7 (D17A6)		Gasolina	FWD	1668	85	116	02.01-09.05	■
1.7 (D17Z2)		Gasolina	FWD	1668	85	116	02.01-09.05	■
1.8		Gasolina	FWD	1799	103	140	02.01-09.05	■
1.8		Gasolina	FWD	1850	77	105	07.03-08.05	■
1.3 IMA (ED9, ES9) (LDA1)		Gasol./el éc.	FWD	1339	61	83	10.03-09.05	■
CRX III (EH, EG) 03.92-12.98					Targa (Sports car-S Segment)			
1.5 (EG1) (D15B7)		Gasolina	FWD	1493	77	105	01.94-04.98	■
1.6 ESi (EH6) (D16Y8)		Gasolina	FWD	1590	92	125	03.92-12.98	■
1.6 ESi (EH6) (D16Z6)		Gasolina	FWD	1590	92	125	03.92-12.98	■
1.6 i VTi (EG2) (B16A2)		Gasolina	FWD	1595	118	160	03.92-12.98	■
1.6 i VTi (EG2) (B16A3)		Gasolina	FWD	1595	118	160	03.92-12.98	■
DOMANI (MB_) 10.95-09.99					Saloon (Compact car-C Segment)			
1.6 A las 4 ruedas (MB5) (D16A)		Gasolina	4WD	1590	88	120	10.95-09.99	■
1.6 A las 4 ruedas (MB5) (D16Z2)		Gasolina	4WD	1590	88	120	10.95-09.99	■
FREED (GB3, GB4, GP3) 05.08-08.16					Hatchback (Mini MPV-M1 Segment)			
1.5	-10/10	Gasolina	FWD	1497	87	118	03.09-	■
FREED SPIKE (GB3, GB4, GP3) 07.10-05.15					Hatchback (Mini MPV-M1 Segment)			
1.5 (GB3)	-10/10	Gasolina	FWD	1497	87	118	07.10-05.15	■
1.5 (GB4)	-10/10	Gasolina	FWD	1497	87	118	07.10-05.15	■
INTEGRA IV (DC5) 08.01-					Coupe (Sport compact car-C Segment)			
2.0 (DC5) (K20A3)		Gasolina	FWD	1998	118	160	02.02-11.08	■
JAZZ II (GE_, GG_, GP_, ZA_) 10.07-					Hatchback (Supermini car-B Segment)			
1.5 i-VTEC (GE8) (L15A7)		Gasolina	FWD	1496	88	120	07.08-06.14	■
MOBILIO (GB_) 12.01-10.08					MPV (Mini MPV-M1 Segment)			
1.5 (GB1)		Gasolina	FWD	1497	66	90	12.01-10.08	■
1.5 4WD (GB2)		Gasolina	4WD	1497	66	90	12.01-10.08	■
1.5		Gasolina	FWD	1497	81	110	12.01-10.08	■
1.5 (GB1)		Gasolina	FWD	1497	81	110	12.01-10.08	■