

LISTA DE APLICACIONES - BUYERS GUIDE

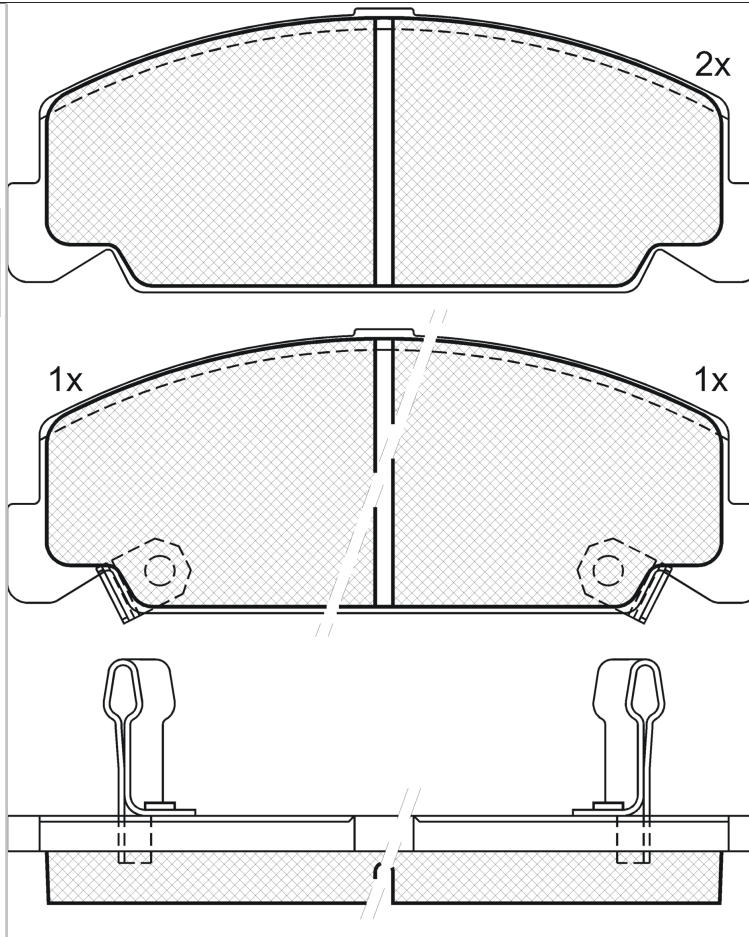
180961



Qty: 300

Weight: 1.334

O.E.M.	MAKE
45022-SR3-L00	HONDA
45022-SR8-A00	HONDA
45022-SR8-A01	HONDA



180961



Akebono

127.8x48.1x14.8

FMSI
D560-7439
MAKE
HONDA



Trac.	CC	Kw	CV
-------	----	----	----



Front / Rear

HONDA

								Hatchback (Executive car-E Segment)	
ACCORD II (AC, AD) 09.83-10.85									
1.6 EX (AC) (EZ)		Gasolina	FWD	1598	65	88	09.83-10.85	■	
1.8 EX (AD) (ET1)	01/84-	Gasolina	FWD	1829	74	101	09.83-10.85	■	
ACCORD II (AC, AD) 09.83-10.85								Saloon (Executive car-E Segment)	
1.6 EX (AC) (EZ)		Gasolina	FWD	1598	65	88	09.83-10.85	■	
1.8 EX (AD) (ET1)	01/84-	Gasolina	FWD	1829	74	101	09.83-10.85	■	
CIVIC V Shuttle (EE, EF) 01.88-02.95								Estate (Supermini car-B Segment)	
1.4 i 16V (EE1) (D14A1)	-12/89	Gasolina	FWD	1396	66	90	01.88-12.92	■	
LAGREAT 08.94-10.98								MPV (Large MPV-M1 Segment)	
2.3		Gasolina	FWD	2254	102	139	08.94-10.98	■	
LAGREAT II 11.98-06.02								MPV (Large MPV-M1 Segment)	
3.5 EX (LARL1) (J35A1)	-12/99	Gasolina	FWD	3471	151	205	11.98-06.02	■	
ODYSSEY (RA_) 10.95-10.00								MPV (Large MPV-M1 Segment)	
2.3 16V 4WD	01/98-	Gasolina	FWD	2295	102	139	10.95-	■	