

LISTA DE APLICACIONES - BUYERS GUIDE

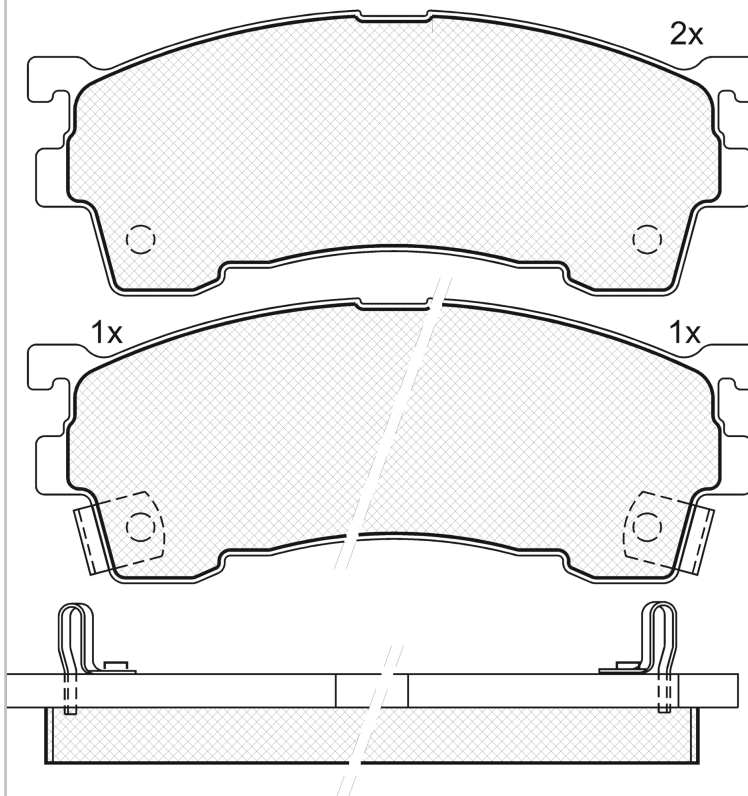
180971-203



Qty: 300

Weight: 1.340

O.E.M.	MAKE
CBY0-33-23Z	MAZDA
CBY0-33-28Z	MAZDA
CBY1-33-23ZA	MAZDA
CBY1-33-23ZB	MAZDA
CBY9-33-23Z	MAZDA
G5Y6-33-28ZB	MAZDA
GAYR-23-23ZB	MAZDA
GAYR-23-28Z	MAZDA
GAYR-23-28ZA	MAZDA
GAYR-33-23Z MF	MAZDA
GAYR-33-28ZA9C	MAZDA
GAYR-33-29ZA	MAZDA
GCYD-33-23ZE	MAZDA
GEYC-33-23Z	MAZDA
GEYT-23-282	MAZDA
GEYT-33-23Z	MAZDA
GEYT-33-23ZA	MAZDA
GEYT-33-28Z	MAZDA
GEYT-33-28ZA	MAZDA
GEYV-23-232	MAZDA
GEYV-23-282	MAZDA
GEYV-33-23Z	MAZDA
GEYV-33-28Z	MAZDA
GEYV-33-28Z9C	MAZDA
XU2Z-2V001-BDA	FORD USA



180971-203



E1 90R-01101/080

Sumitomo

132.1x51.6x16

WVA	FMSI
21754	D637-7515
21755	
23845	
23846	
23847	

MAKE
FORD
FORD ASIA & OCEANIA
FORD USA
MAZDA
MAZDA (HAINAN)



Trac.	CC	Kw	CV	Hourglass	Front / Rear

FORD									
ACTIVA VII 09.95-09.00							Hatchback (Compact car-C Segment)		
1.8 GLX	01/98-	Gasolina	FWD	1840	84	114	09.95-09.00	■	
ACTIVA VII 09.95-09.00							Saloon (Compact car-C Segment)		
1.8 Ghia	01/98-	Gasolina	FWD	1840	84	114	09.95-09.00	■	
ACTIVA VIII 10.00-							Hatchback (Compact car-C Segment)		
1.6 GX		Gasolina	FWD	1598	78	106	10.00-	■	
2.0 GLS		Gasolina	FWD	1991	121	165	10.00-	■	
2.0 GLS		Gasolina	FWD	1991	125	170	10.00-	■	
ACTIVA VIII 10.00-							Saloon (Compact car-C Segment)		
1.6 GNX		Gasolina	FWD	1598	78	106	10.00-	■	
FORD ASIA & OCEANIA									
IXION (BU1) 08.98-09.03							Estate (Compact MPV-M1 Segment)		
1.8 GS		Gasolina	FWD	1840	84	114	08.98-09.03	■	
LASER II (BA_3, BF_3, BF_4, BG_3, BJ_4) 05.86-11.03							Hatchback (Compact car-C Segment)		
1.8		Gasolina	FWD	1840	84	114	11.99-11.03	■	
LASER IV-V (BA_2, BA_3, BA_4, BJ_2) 06.94-11.03							Saloon (Compact car-C Segment)		
1.8		Gasolina	FWD	1840	84	114	11.99-11.03	■	
LYNX (BJ_4M) 02.98-09.01							Hatchback (Compact car-C Segment)		
1.8		Gasolina	FWD	1840	84	114	02.98-09.01	■	

LISTA DE APLICACIONES - BUYERS GUIDE

LYNX (BJ_2A, BJ_2P) 02.98-09.02					Saloon (Compact car-C Segment)			
1.8		Gasolina	FWD	1840	84	114	02.98-09.02	■
TELSTAR 02.91-05.00					Hatchback (Executive car-E Segment)			
1.8	01/98-	Gasolina	FWD	1840	74	101	08.93-05.00	■
2.0	01/98-	Gasolina	FWD	1991	85	116	08.93-05.00	■
2.0 D	01/98-	Diesel	RWD	1998	74	101	08.93-05.00	■
TELSTAR 02.91-10.00					Saloon (Executive car-E Segment)			
1.8	01/98-	Gasolina	FWD	1839	85	116	05.94-10.00	■
1.8	01/98-	Gasolina	FWD	1840	74	101	08.93-05.00	■
2.0	01/98-	Gasolina	FWD	1991	85	116	08.93-05.00	■
2.0 TD	01/98-	Diesel	RWD	1998	74	101	08.93-05.00	■
TIERRA (CA_) 05.98-					Saloon (Compact car-C Segment)			
1.6		Gasolina	FWD	1598	79	107	05.98-09.03	■
1.8 GXL		Gasolina	FWD	1798	85	116	05.98-	■
2.0 GTX		Gasolina	FWD	1991	100	136	05.98-09.03	■
FORD USA								
PROBE (ECP) 09.92-03.98					Coupe (Sports car-S Segment)			
2.0 16V (FS)		Gasolina	FWD	1991	85	116	10.93-03.98	■
2.5 V6 24V (KL)		Gasolina	FWD	2497	119	162	10.93-03.98	■
2.5 V6 24V (KL)		Gasolina	FWD	2497	120	163	12.94-03.98	■
MAZDA								
323 F VIII / 323 ASTINA / 323 F-P / ETUDE / FAMILIA (BJ) 09.98-07.04					Hatchback (Compact car-C Segment)			
1.6 (BJ10M) (ZM)	-12/03	Gasolina	FWD	1598	70	95	01.01-05.04	■
1.6 (BJ10M) (ZM)	-12/03	Gasolina	FWD	1598	72	98	01.01-05.04	■
1.9 16V (BJ14) (FP)		Gasolina	FWD	1840	84	114	09.98-01.01	■
1.9 16V (BJ14) (FP55)		Gasolina	FWD	1840	84	114	09.98-01.01	■
1.8 Astina (BJ10, BJ8S)		Gasolina	FWD	1840	92	125	09.98-05.04	■
2.0 (BJFW) (FS7E)	-12/03	Gasolina	FWD	1991	96	131	01.01-05.04	■
2.0 (BJFW) (FS7G)	-12/03	Gasolina	FWD	1991	96	131	01.01-05.04	■
2.0 D (RF1G)	-12/00	Diesel	FWD	1998	52	71	09.98-05.04	■
2.0 TD (RF4F)		Diesel	FWD	1998	66	90	09.98-12.01	■
2.0 TD (RF4F)		Diesel	FWD	1998	74	101	01.01-05.04	■
323 S VIII / 323 PROTEGÉ / ETUDE / FAMILIA (BJ) 05.98-07.04					Saloon (Compact car-C Segment)			
1.5		Gasolina	FWD	1498	80	109	05.98-05.04	■
1.6 (BJ12) (ZM)	-12/03	Gasolina	FWD	1598	70	95	10.00-05.04	■
1.6 (BJ10M) (ZM)	-12/03	Gasolina	FWD	1598	72	98	01.01-05.04	■
1.9 16V (BJ10M) (FP)	-12/01	Gasolina	FWD	1840	84	114	09.98-05.04	■
1.9 16V (BJ10M) (FP55)	-12/01	Gasolina	FWD	1840	84	114	09.98-05.04	■
1.8 Protege (BJ10, BJ8P) (BP (DOHC))		Gasolina	FWD	1840	92	125	05.98-05.04	■
1.8 Protege (BJ10, BJ8P) (FP55)		Gasolina	FWD	1840	92	125	05.98-05.04	■
2.0 (BJFP) (FS7E)	-12/03	Gasolina	FWD	1991	96	131	01.01-05.04	■
2.0 (BJFP) (FS7G)	-12/03	Gasolina	FWD	1991	96	131	01.01-05.04	■
2.0 (BJ10S) (FS)		Gasolina	FWD	1991	98	133	02.00-05.04	■
2.0 D (BJ1_) (RF1G)		Diesel	FWD	1998	52	71	09.98-05.04	■
2.0 TD (BJEP) (RF3F)		Diesel	FWD	1998	66	90	09.98-05.04	■
2.0 DiTD (BJEP) (RF4F)		Diesel	FWD	1998	74	101	10.00-10.02	■
626 V / CAPELLA / TELSTAR (GE) 08.91-08.98					Hatchback (Executive car-E Segment)			
1.8 (GE8P) (FP01LP)		Gasolina	FWD	1840	66	90	08.94-04.97	■

LISTA DE APLICACIONES - BUYERS GUIDE

1.8 (GE8P) (FP)		Gasolina	FWD	1840	77	105	08.91-04.97	■	
2.0 i (GE10S1) (FS)		Gasolina	FWD	1991	85	115	08.91-04.97	■	
2.0 i 4WD (GE10S1) (FS)		Gasolina	4WD	1991	85	116	04.92-04.97	■	
2.5 24V (GE5P) (KL)		Gasolina	FWD	2497	120	163	08.94-04.97	■	
2.5 24V (GE5P) (KL)		Gasolina	FWD	2497	121	165	01.92-04.97	■	
2.0 D GLX Comprex (GEFP) (RF55)		Diesel	FWD	1998	55	75	01.93-04.97	■	
626 V / CAPELLA / TELSTAR (GE) 08.91-08.98							Saloon (Executive car-E Segment)		
1.8 i (GE8P) (FP01LP)		Gasolina	FWD	1840	66	90	08.94-04.97	■	
1.8 i (GE8P) (FP)		Gasolina	FWD	1840	77	105	08.91-04.97	■	
1.8 i (FP)		Gasolina	FWD	1840	78	106	05.94-06.97	■	
2.0 i (GE10S1) (FS)		Gasolina	FWD	1991	85	115	01.92-04.97	■	
2.0 i 4WD (GE10S1) (FS)		Gasolina	4WD	1991	85	116	04.92-04.97	■	
2.0 D GLX Comprex (GEFP) (RF55)		Diesel	FWD	1998	55	75	10.92-04.97	■	
2.0 D (RF55)		Diesel	FWD	1998	56	76	05.94-06.97	■	
626 VII / CAPELLA (GF) 05.97-12.02							Hatchback (Executive car-E Segment)		
1.8 (GF8P) (FPY3)		Gasolina	FWD	1840	66	90	05.97-12.99	■	
1.9 (FPY3)		Gasolina	FWD	1840	66	90	05.97-12.99	■	
1.9 (FP)		Gasolina	FWD	1840	74	100	12.99-10.02	■	
1.9 (GF8P) (FP)		Gasolina	FWD	1840	74	100	12.99-10.02	■	
2.0 (GFEP) (FS)	-12/99	Gasolina	FWD	1991	85	115	05.97-10.02	■	
2.0 H.P. (GFEP) (FS2C)	-12/98	Gasolina	FWD	1991	100	136	02.98-10.02	■	
2.0 DITD (GFFP) (RF3F)		Diesel	FWD	1998	66	90	04.98-10.02	■	
2.0 Turbo DI (GFFP) (RF4F)		Diesel	FWD	1998	74	101	04.98-10.02	■	
2.0 TD (GFFP) (RF4F)		Diesel	FWD	1998	81	110	10.00-10.02	■	
626 VII / CAPELLA (GF) 05.97-05.06							Saloon (Executive car-E Segment)		
1.6 (GF6P) (B6EW)		Gasolina	FWD	1597	79	107	07.97-07.99	■	
1.8 (GF8P) (FPY3)		Gasolina	FWD	1840	66	90	05.97-12.99	■	
1.9 (FPY3)		Gasolina	FWD	1840	66	90	05.97-12.99	■	
1.8 (GF8P) (FP9A)		Gasolina	FWD	1840	74	100	12.99-10.02	■	
1.9 (FP9A)		Gasolina	FWD	1840	74	100	12.99-10.02	■	
2.0 (GFEP, GF12) (FS)	-12/99	Gasolina	FWD	1991	85	115	05.97-10.02	■	
2.0 (GFEP) (FS2C)	-12/98	Gasolina	FWD	1991	100	136	04.98-10.02	■	
2.0 DITD (GFFP) (RF3F)		Diesel	FWD	1998	66	90	04.98-10.02	■	
2.0 Turbo DI (GFFP) (RF4F)		Diesel	FWD	1998	74	101	04.98-10.02	■	
2.0 TD (GFFP) (RF4F)		Diesel	FWD	1998	81	110	10.00-10.02	■	
626 VII / CAPELLA Station Wagon (GW) 01.98-05.03							Estate (Executive car-E Segment)		
1.8 (GW8W) (FPY3)		Gasolina	FWD	1840	66	90	02.98-01.00	■	
1.9 (FPY3)		Gasolina	FWD	1840	66	90	02.98-01.00	■	
2.0 (GWEW) (FS)	-12/99	Gasolina	FWD	1991	85	116	02.98-10.02	■	
2.0 H.P. (GWEW) (FS2C)	-12/99	Gasolina	FWD	1991	100	136	02.98-10.02	■	
MX-6 (GD) 10.87-01.97							Coupe (Sports car-S Segment)		
2.0		Gasolina	FWD	1991	85	116	09.95-01.97	■	
2.0 (FS)		Gasolina	FWD	1991	85	115	02.92-02.97	■	
2.2		Gasolina	FWD	2255	162	220	12.95-02.97	■	
2.5 i 24V (GE20L) (KL)		Gasolina	FWD	2497	120	163	08.94-02.97	■	
2.5 24V (GE10L) (KL)		Gasolina	FWD	2497	121	165	02.92-09.97	■	
2.5 (KL)		Gasolina	FWD	2497	122	166	09.92-01.97	■	
2.5 24V (KL)		Gasolina	FWD	2497	123	167	02.93-11.95	■	

LISTA DE APLICACIONES - BUYERS GUIDE

PREMACY (CP_) 01.99-06.05					Box Body/MPV (Compact MPV-M1 Segment)			
1.8 (CP19)		Gasolina	FWD	1840	74	101	07.99-06.05	■
1.8 (CP19)		Gasolina	FWD	1840	84	114	07.99-03.05	■
2.0 (CP19)		Gasolina	FWD	1991	96	131	08.01-06.05	■
DiTD (CP19)		Diesel	FWD	1998	74	101	08.00-06.05	■
PREMACY (CP) 01.99-03.05					MPV (Compact MPV-M1 Segment)			
1.9 (CP8W) (FP)		Gasolina	FWD	1840	74	100	07.99-03.05	■
1.9 (CP10P) (FP)	-12/01	Gasolina	FWD	1840	84	114	07.99-03.05	■
2.0 TD (RF3F)		Diesel	FWD	1998	66	90	10.99-07.00	■
2.0 TD (RF4F)	-12/01	Diesel	FWD	1998	74	101	07.00-03.05	■
XEDOS 6 / EUNOS 500 (CA) 01.92-10.99					Saloon (Luxury car-F Segment)			
1.6 16V (B6EW)		Gasolina	FWD	1597	79	107	04.94-10.99	■
1.6 16V (B69N)		Gasolina	FWD	1597	83	113	01.92-03.94	■
2.0 V6 (CAEP) (KF1)		Gasolina	FWD	1995	103	140	06.94-10.99	■
2.0 V6 (CAEP) (KF1)		Gasolina	FWD	1995	106	144	01.92-05.94	■
MAZDA (HAINAN)								
PREMACY 01.01-02.07					MPV (Compact MPV-M1 Segment)			
1.8		Gasolina	FWD	1839	90	121	01.01-02.07	■