

LISTA DE APLICACIONES - BUYERS GUIDE

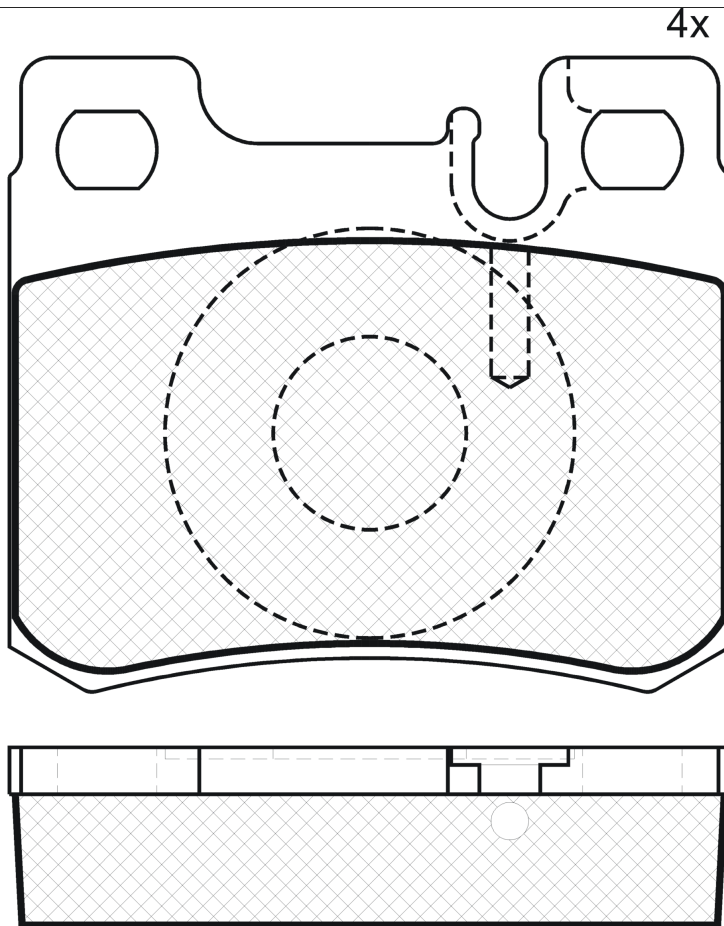
180974



Qty: 944

Weight: 630

O.E.M.	MAKE
002 420 00 20	MERCEDES-BENZ
002 420 01 20	MERCEDES-BENZ
002 420 09 99	MERCEDES-BENZ



180974



E1 90R-01033/148

Ate - Teves

61.6x54.2x15.5

WVA	FMSI
21301	D620-7496
MAKE	
MERCEDES-BENZ	



Trac.	CC	Kw	CV
-------	----	----	----



Front / Rear

MERCEDES-BENZ

124 (C124) 03.87-07.93

Coupe (Executive car-E Segment)

200 CE (124.041) (M 102.963)		Gasolina	RWD	1996	87	118	03.90-12.92	■
220 CE (124.042) (M 111.960)		Gasolina	RWD	2199	110	150	10.92-05.93	■
230 CE (124.043) (M 102.982)	01/90-	Gasolina	RWD	2298	97	132	03.87-12.92	■
230 CE Cat (124.043) (M 102.982)	01/90-	Gasolina	RWD	2298	97	132	06.89-12.92	■
230 CE (124.043) (M 102.982)	01/90-	Gasolina	RWD	2298	100	136	03.87-12.92	■
300 CE (124.050) (M 103.983)	01/90-	Gasolina	RWD	2960	132	180	03.87-05.93	■
300 CE (124.050) (M 103.983)		Gasolina	RWD	2960	138	188	03.87-12.89	■

124 (W124) 12.84-08.93

Saloon (Executive car-E Segment)

200 (124.020) (M 102.922)		Gasolina	RWD	1996	75	102	01.86-05.90	■
200 (124.020) (M 102.922)		Gasolina	RWD	1996	77	105	01.86-10.92	■
200 (124.020) (M 102.922)		Gasolina	RWD	1996	80	109	12.85-05.90	■
200 E (124.021) (M 102.963)	01/90-	Gasolina	RWD	1996	87	118	09.88-08.93	■
200 E (124.021) (M 102.963)		Gasolina	RWD	1996	90	122	09.88-12.89	■
200 E (124.020)		Gasolina	RWD	1997	77	105	11.92-05.93	■
200 E (124.019) (M 111.940)		Gasolina	RWD	1998	100	136	10.92-06.93	■
220 E (124.022) (M 111.960)		Gasolina	RWD	2199	110	150	10.92-06.93	■
230 E (124.023) (M 102.982)		Gasolina	RWD	2298	97	132	12.84-03.92	■
230 E Cat (124.023) (M 102.982)	01/90-	Gasolina	RWD	2298	97	132	06.89-06.93	■
230 E (124.023) (M 102.982)	01/90-	Gasolina	RWD	2298	100	136	01.85-06.93	■
260 E (124.026) (M 103.940)	01/90-	Gasolina	RWD	2597	118	160	09.85-08.92	■
260 E 4-matic (124.226) (M 103.943)	01/90-	Gasolina	4WD	2597	118	160	09.86-08.92	■
260 E (124.026) (M 103.940)		Gasolina	RWD	2597	122	166	09.85-12.89	■
280 E (124.028) (M 104.942)		Gasolina	RWD	2799	145	197	10.92-06.93	■

LISTA DE APLICACIONES - BUYERS GUIDE

300 E (124.030) (M 103.983)	01/90-	Gasolina	RWD	2960	132	180	08.85-08.92	■
300 E 4-matic (124.230) (M 103.985)	01/90-	Gasolina	4WD	2960	132	180	09.86-06.93	■
300 E (124.030) (M 103.980)		Gasolina	RWD	2960	138	188	01.85-12.85	■
300 E (124.030) (M 103.983)	01/90-	Gasolina	RWD	2960	138	188	06.85-08.92	■
300 E 4-matic (124.230) (M 103.983)	01/90-	Gasolina	4WD	2960	138	188	09.86-02.92	■
300 E-24 (124.031) (M 104.980)		Gasolina	RWD	2960	170	231	09.88-08.92	■
200 D (124.120) (OM 601.912)	01/90-	Diesel	RWD	1997	55	75	08.89-06.93	■
250 D (124.125) (OM 602.912)		Diesel	RWD	2497	66	90	04.85-06.93	■
250 D (124.125) (OM 602.912)		Diesel	RWD	2497	69	94	01.89-06.93	■
250 Turbo-D (124.128) (OM 602.962)		Diesel	RWD	2497	93	126	09.88-06.93	■
300 D (124.130) (OM 603.912)		Diesel	RWD	2996	80	109	12.84-08.89	■
300 D 4-matic (124.330) (OM 603.913)	01/90-	Diesel	4WD	2996	80	109	09.86-08.92	■
300 D (124.130) (OM 603.912)		Diesel	RWD	2996	81	110	06.90-06.93	■
300 D (124.130) (OM 603.912)	01/90-	Diesel	RWD	2996	83	113	08.89-06.93	■
300 D 4-matic (124.330) (OM 603.913)	01/90-	Diesel	4WD	2996	83	113	08.89-06.93	■
300 Turbo-D (124.133) (OM 603.960)		Diesel	RWD	2996	105	143	09.86-09.88	■
300 Turbo-D (124.133) (OM 603.963)		Diesel	RWD	2996	105	143	09.86-09.88	■
300 Turbo-D (124.133) (OM 603.960)	01/90-	Diesel	RWD	2996	108	147	09.88-06.93	■
300 Turbo-D 4-matic (124.333) (OM 603.963)	01/90-	Diesel	4WD	2996	108	147	01.88-06.93	■
124 T-Model (S124) 09.85-12.93					Estate (Executive car-E Segment)			
300 TE (124.090) (M 103.983)		Gasolina	RWD	2960	138	188	01.86-12.89	■
190 (W201) 10.82-08.93					Saloon (Compact executive car-D Segment)			
E 1.8 (201.018) (M 102.910)		Gasolina	RWD	1797	80	109	04.90-08.93	■
E 2.0 (201.024) (M 102.962)	01/90-	Gasolina	RWD	1996	87	118	01.85-08.93	■
E 2.0 (201.024) (M 102.961)	01/90-	Gasolina	RWD	1996	90	122	10.82-06.93	■
E 2.0 (201.024) (M 102.962)	01/90-	Gasolina	RWD	1996	90	122	10.82-06.93	■
E 2.0 (201.024) (M 102.961)	01/90-	Gasolina	RWD	1996	93	126	10.82-06.93	■
E 2.3 (201.028) (M 102.985)	01/90-	Gasolina	RWD	2298	97	132	09.86-08.91	■
E 2.3 (201.028) (M 102.985)	01/90-	Gasolina	RWD	2298	100	136	10.86-08.93	■
E 2.6 (201.029) (M 103.942)	01/90-	Gasolina	RWD	2597	118	160	09.86-08.93	■
D 2.0 (201.122) (OM 601.911)	01/90-	Diesel	RWD	1997	55	75	08.89-08.93	■
D 2.5 (201.126) (OM 602.911)	01/90-	Diesel	RWD	2497	66	90	04.85-08.93	■
D 2.5 (201.126) (OM 602.911)	01/90-	Diesel	RWD	2497	69	94	08.89-08.93	■
Turbo-D 2.5 (201.128) (OM 602.961)	01/90-	Diesel	RWD	2497	90	122	02.88-08.93	■
Turbo-D 2.5 (201.128) (OM 602.961)	01/90-	Diesel	RWD	2497	93	126	02.88-08.93	■
C-Class (W202) 03.93-05.00					Saloon (Executive car-E Segment)			
C 180 (202.018) (M 111.921)	-12/98	Gasolina	RWD	1799	89	121	11.94-05.00	■
C 180 (202.018) (M 111.920)	01/94-	Gasolina	RWD	1799	90	122	03.93-05.00	■
C 180 (202.018) (M 111.921)	01/94-	Gasolina	RWD	1799	90	122	03.93-05.00	■
C 200 (202.020) (M 111.941)	-12/98	Gasolina	RWD	1998	100	136	01.94-05.00	■
C 200 (202.020) (M 111.945)	-12/98	Gasolina	RWD	1998	100	136	01.94-05.00	■
C 220 (202.022) (M 111.961)	-12/98	Gasolina	RWD	2199	110	150	03.93-05.00	■
C 230 (202.023) (M 111.974)		Gasolina	RWD	2295	110	150	06.96-06.97	■
C 280 (202.028) (M 104.941)		Gasolina	RWD	2799	142	193	05.93-05.00	■
C 200 D (202.120) (OM 601.913)	-12/98	Diesel	RWD	1997	55	75	03.93-05.00	■
C 200 D (202.122) (OM 604.915)	-12/98	Diesel	RWD	1997	65	88	10.96-05.00	■
C 220 D (202.021) (OM 604.910)	-12/98	Diesel	RWD	2155	55	75	07.96-05.00	■
C 220 D (202.121) (OM 604.910)	-12/98	Diesel	RWD	2155	70	95	08.93-05.00	■
C 250 D (202.125) (OM 605.910)	-12/97	Diesel	RWD	2497	83	113	05.93-05.00	■

LISTA DE APLICACIONES - BUYERS GUIDE

C-Class T-Model (S202) 06.96-03.01					Estate (Compact executive car-D Segment)			
C 230 T (202.083) (M 111.974)	Gasolina	RWD	2295	110	150	06.96-06.98	■	
E-Class (C124) 06.93-06.97					Coupe (Executive car-E Segment)			
E 200 (124.040) (M 111.940)	Gasolina	RWD	1998	100	136	06.93-06.97	■	
E 220 (124.042) (M 111.960)	Gasolina	RWD	2199	110	150	06.93-06.97	■	
E-Class (W124) 02.93-06.96					Saloon (Executive car-E Segment)			
E 200 (124.019) (M 111.940)	Gasolina	RWD	1998	100	136	06.93-06.95	■	
E 220 (124.022) (M 111.960)	Gasolina	RWD	2199	110	150	06.93-06.95	■	
E 280 (124.029) (M 104.942)	Gasolina	RWD	2799	142	193	06.93-06.95	■	
E 280 (124.028) (M 104.942)	Gasolina	RWD	2799	145	197	06.93-06.95	■	
E 300 4-matic (124.230) (M 103.985)	Gasolina	4WD	2960	132	180	06.93-06.95	■	
E 200 D (124.120) (OM 601.912)	Diesel	RWD	1997	55	75	06.93-06.95	■	
E 250 D (124.126, 124.129) (OM 605.911)	Diesel	RWD	2497	83	113	07.93-06.95	■	
E 250 Turbo-D (124.128) (OM 602.962)	Diesel	RWD	2497	93	126	06.93-06.95	■	
E 300 D (124.131) (OM 606.910)	Diesel	RWD	2996	100	136	07.93-06.95	■	
E 300 Turbo-D (124.133) (OM 603.960)	Diesel	RWD	2996	108	147	06.93-06.95	■	
E 300 Turbo-D 4-matic (124.333) (OM 603.963)	Diesel	4WD	2996	108	147	06.93-06.95	■	
E-Class T-Model (S124) 06.93-06.96					Estate (Executive car-E Segment)			
E 250 TD (124.186) (OM 605.911)	Diesel	RWD	2497	83	113	06.93-06.96	■	
E 300 T Turbo-D 4-matic (124.393) (OM 603.963)	Diesel	4WD	2996	108	147	06.93-06.96	■	