

LISTA DE APLICACIONES - BUYERS GUIDE

180977

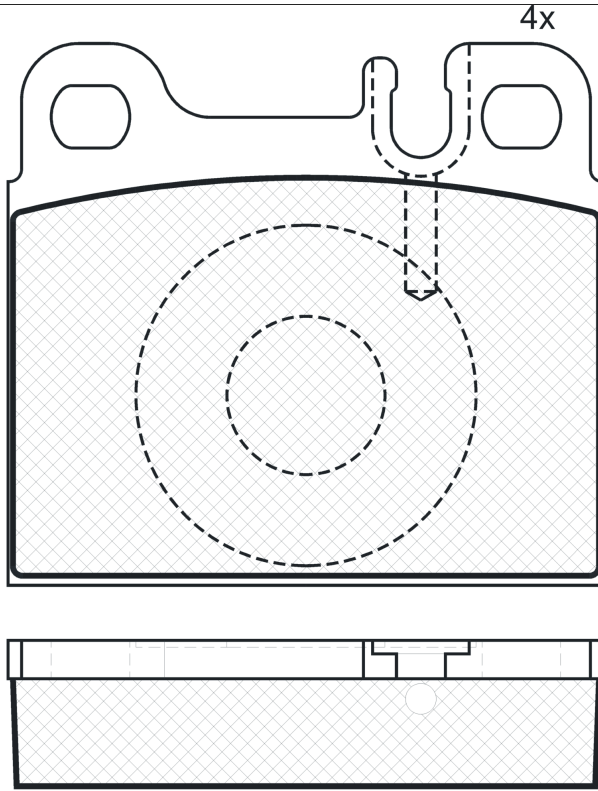


8 424073 015945

Qty: 944

Weight: 670

O.E.M.	MAKE
001 420 73 20	MERCEDES-BENZ
001 421 04 12	MERCEDES-BENZ



180977



Ate - Teves

62.2x56.5x15.5

WVA	FMSI
21027	D1591-8802
MAKE	
MERCEDES-BENZ	

HASTA FIN DE EXISTENCIAS
UNTIL EXISTING STOCK RUNS OUT



Trac.	CC	Kw	CV



Front / Rear

MERCEDES-BENZ

S-Class II (C126) 08.80-06.91

Coupe (Luxury car-F Segment)

Model	Fuel	Trac.	CC	Kw	CV	Year Range	
380 SEC (126.043) (M 116.963)	Gasolina	RWD	3839	150	204	10.81-07.85	■
420 SEC (126.046) (M 116.965)	Gasolina	RWD	4196	150	204	10.85-06.91	■
420 SEC (126.046) (M 116.965)	Gasolina	RWD	4196	160	218	10.85-12.87	■
420 SEC (126.046) (M 116.965)	Gasolina	RWD	4196	165	224	10.85-06.91	■
420 SEC (126.046) (M 116.965)	Gasolina	RWD	4196	170	231	09.86-06.91	■
500 SEC (126.044) (M 117.965)	Gasolina	RWD	4973	164	223	10.85-06.91	■
500 SEC (126.044) (M 117.963)	Gasolina	RWD	4973	170	231	10.81-08.85	■
500 SEC (126.044) (M 117.965)	Gasolina	RWD	4973	180	245	09.85-06.91	■
500 SEC (126.044) (M 117.965)	Gasolina	RWD	4973	185	252	08.87-06.91	■
500 SEC Cat (126.044) (M 117.965)	Gasolina	RWD	4973	185	252	06.89-06.91	■
500 SEC (126.044) (M 117.965)	Gasolina	RWD	4973	195	265	09.85-06.91	■
560 SEC (126.045) (M 117.968)	Gasolina	RWD	5547	178	242	10.85-06.91	■
560 SEC (126.045) (M 117.968)	Gasolina	RWD	5547	200	272	10.85-12.87	■
560 SEC (126.045) (M 117.968)	Gasolina	RWD	5547	205	279	10.85-06.91	■
560 SEC (126.045) (M 117.968)	Gasolina	RWD	5547	220	300	10.85-12.89	■

S-Class II (W126) 10.79-06.91

Saloon (Luxury car-F Segment)

Model	Fuel	Trac.	CC	Kw	CV	Year Range	
260 SE (126.020) (M 103.941)	Gasolina	RWD	2599	118	160	09.85-06.91	■
260 SE (126.020) (M 103.941)	Gasolina	RWD	2599	122	166	09.85-06.91	■
300 SE, SEL (126.024, 126.025) (M 103.981)	Gasolina	RWD	2960	132	180	01.86-06.91	■
300 SE, SEL (126.024, 126.025) (M 103.981)	Gasolina	RWD	2960	138	188	09.85-12.89	■
3.8 (126.035, 126.034) (M 116.961)	Gasolina	RWD	3818	160	218	08.80-08.84	■
380 SE, SEL (126.032, 126.033) (M 116.961)	Gasolina	RWD	3818	160	218	09.80-10.81	■
420 SE, SEL (126.034, 126.035) (M 116.965)	Gasolina	RWD	4196	150	204	10.85-06.91	■

LISTA DE APLICACIONES - BUYERS GUIDE

420 SE, SEL (126.034) (M 116.965)	Gasolina	RWD	4196	160	218	10.85-12.87	■
420 SE, SEL (126.035, 126.034) (M 116.965)	Gasolina	RWD	4196	165	224	10.85-06.91	■
420 SE, SEL (126.035, 126.034) (M 116.965)	Gasolina	RWD	4196	170	231	10.85-12.87	■
500 SE, SEL (126.036) (M 117.965)	Gasolina	RWD	4973	164	223	09.85-06.91	■
500 SE, SEL (126.036) (M 117.965)	Gasolina	RWD	4973	180	245	09.85-06.91	■
500 SE, SEL (126.037, 126.036) (M 117.965)	Gasolina	RWD	4973	185	252	09.87-06.91	■
500 SE, SEL Cat (126.037, 126.036) (M 117.965)	Gasolina	RWD	4973	185	252	06.89-06.91	■
500 SE, SEL (126.037, 126.036) (M 117.965)	Gasolina	RWD	4973	195	265	09.87-06.91	■
560 SE, SEL (126.038, 126.039) (M 117.968)	Gasolina	RWD	5547	178	242	10.85-06.91	■
560 SE, SEL (126.038) (M 117.968)	Gasolina	RWD	5547	200	272	10.85-12.87	■
560 SE, SEL (126.038) (M 117.968)	Gasolina	RWD	5547	205	279	08.87-06.91	■
560 SE, SEL (126.039, 126.038) (M 117.968)	Gasolina	RWD	5547	220	300	10.85-06.91	■