

LISTA DE APLICACIONES - BUYERS GUIDE

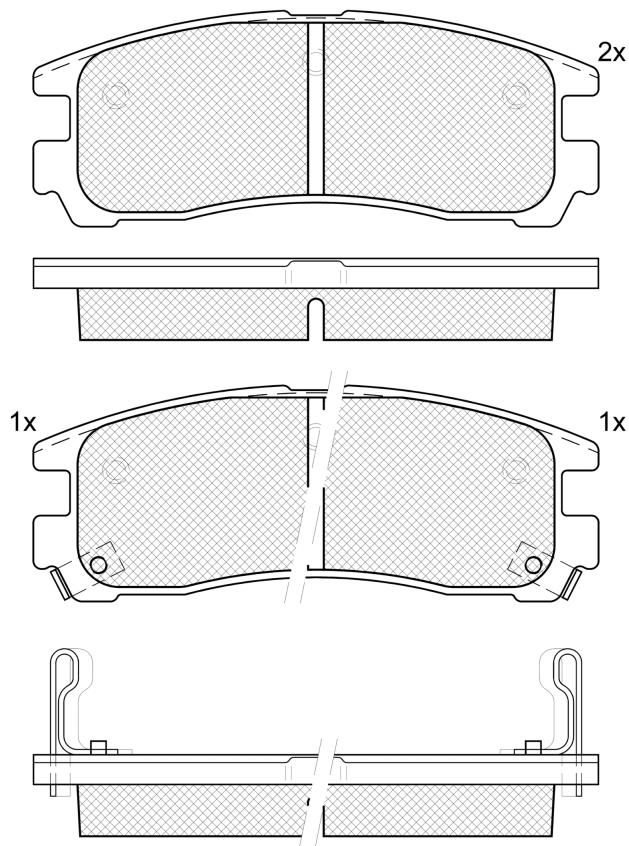
180981



Qty: 944

Weight: 894

O.E.M.	MAKE
MB 407 659	MITSUBISHI
MB 534 653	MITSUBISHI
MB 699 056	MITSUBISHI
MB 857 335	MITSUBISHI
MB 857 336	MITSUBISHI
MB 950 350	MITSUBISHI
MN 102 624	MITSUBISHI
MR 129 433	MITSUBISHI
MR 129 438	MITSUBISHI
MR 129 537	MITSUBISHI
MR 205 144	MITSUBISHI
MR 389 576	MITSUBISHI
MR 389 577	MITSUBISHI
MR 389 578	MITSUBISHI
MR 389 580	MITSUBISHI
MR 567 780	MITSUBISHI
MR 569 780	MITSUBISHI
MZ 690 010E	MITSUBISHI
MZ 690 578	MITSUBISHI
X3 516 001	MITSUBISHI



180981

E 9 90R-01110/233



Akebono

107.7x41.3x15.5

WVA	FMSI
21706	D383-7272
21707	
21708	

MAKE
CHRYSLER
DODGE
MITSUBISHI



Trac.	CC	Kw	CV		
Front / Rear					

CHRYSLER

SEBRING (FJ) 05.95-09.00						Coupe (Executive car-E Segment)			
2.5 LE (EEB)		Gasolina	FWD	2497		120	163	05.95-12.96	■
SEBRING (FJ) 01.95-12.00						Saloon (Executive car-E Segment)			
2.0 (ECB)		Gasolina	FWD	1996		96	131	05.95-09.00	■
SEBRING II / CIRRUS (JR) 09.00-06.07						Saloon (Executive car-E Segment)			
2.0 (ECC)	-12/02	Gasolina	FWD	1996		104	141	04.01-06.07	■

DODGE

AVENGER 01.95-						Saloon (Sports car-S Segment)			
2.0 16V	01/95-	Gasolina	FWD	1995		103	140	01.95-	■
2.5 V6 24V	01/95-	Gasolina	FWD	2495		114	155	01.95-	■
2.5 V6 24V 4WD	01/95-	Gasolina	FWD	2495		114	155	01.95-	■
STEALTH 09.90-12.96						Hatchback (Compact SUV-J Segment)			
3.0		Gasolina	FWD	2972		122	166	09.90-12.96	■
3.0 4WS	01/89-	Gasolina	FWD	2995		121	165	09.90-	■
3.0 4WS	01/89-	Gasolina	FWD	2995		165	224	09.90-	■
3.0 4WS	01/89-	Gasolina	FWD	2995		223	304	09.90-	■

MITSUBISHI

3000 GT (Z1_A) 06.89-08.00						Coupe (Grand Tourer-S Segment)			
3.0		Gasolina	FWD	2972		164	223	04.90-12.99	■
3.0 (6G72 (DOHC 24V))		Gasolina	FWD	2972		165	224	12.90-05.93	■
3.0 (Z15A) (6G72 (DOHC 24V))		Gasolina	FWD	2972		166	226	09.90-12.99	■

LISTA DE APLICACIONES - BUYERS GUIDE

DIAMANTE (F2_A, F1_A) 02.90-07.96					Saloon (Luxury car-F Segment)			
2.5 (F13A, F15A)		Gasolina	FWD	2497	129	175	05.90-07.96	■
3.0 (F17A) (6G72 (DOHC 24V))		Gasolina	FWD	2972	151	205	10.92-07.96	■
ECLIPSE II 04.94-04.99					Convertible (Executive car-E Segment)			
1.8 (4G93 (SOHC 16V))		Gasolina	FWD	1834	102	139	04.94-04.99	■
2.0 (4G63-T (DOHC 16V))		Gasolina	FWD	1997	157	214	09.95-04.99	■
ECLIPSE II (D3_A) 04.94-04.99					Coupe (Executive car-E Segment)			
2.0 RS (4G63 (DOHC 16V))		Gasolina	FWD	1996	104	141	09.95-04.99	■
2000 GS 16V (D32A) (4G63 (DOHC 16V))		Gasolina	FWD	1997	107	146	12.95-04.99	■
2.0 Turbo (D32A)		Gasolina	FWD	1997	147	200	04.94-04.99	■
2.0 Turbo 4WD (D32A)		Gasolina	4WD	1997	147	200	04.94-04.99	■
2.0 Turbo 4WD (D33A) (4G63-T (DOHC 16V))		Gasolina	4WD	1997	157	214	12.95-04.99	■
2000 GT 16V (4G63-T (DOHC 16V))		Gasolina	FWD	1997	157	214	12.95-04.99	■
2400 GS 16V (4G64 (16V))		Gasolina	FWD	2389	105	143	09.98-04.99	■
ECLIPSE III (D5_A) 05.99-12.05					Convertible (Executive car-E Segment)			
1.8		Gasolina	FWD	1834	103	141	05.99-03.05	■
2.4 RS (4G64 (16V))		Gasolina	FWD	2351	106	144	05.99-03.05	■
2.4 (4G64 (16V))		Gasolina	FWD	2351	110	150	05.99-03.05	■
3.0 (6G72 (SOHC 24V))		Gasolina	FWD	2972	149	203	05.99-03.05	■
3.0 (6G72 (SOHC 24V))		Gasolina	FWD	2972	157	213	05.99-03.05	■
ECLIPSE III (D5_A) 04.99-12.05					Coupe (Executive car-E Segment)			
2.4 (4G64 (16V))		Gasolina	FWD	2351	110	150	05.99-03.05	■
3.0 (6G72 (SOHC 24V))		Gasolina	FWD	2972	149	203	05.99-03.05	■
3.0 (6G72 (SOHC 24V))		Gasolina	FWD	2972	157	213	05.99-03.05	■
ECLIPSE IV (DK_A) 04.05-12.12					Coupe (Executive car-E Segment)			
2.4 GS (4G69)		Gasolina	FWD	2378	120	163	04.05-12.11	■
FTO (DE_A) 09.94-07.01					Coupe (Sports car-S Segment)			
2.0 (DE3A) (6A12 (DOHC))		Gasolina	FWD	1999	127	173	09.94-07.01	■
GALANT IX / GRUNDER (DJ_, ED_, EF_) 10.03-					Saloon (Executive car-E Segment)			
2.0 GDi G		Gasolina	FWD	1999	107	145	10.03-	■
2.0 GDi V		Gasolina	FWD	1999	107	145	10.03-	■
2.4 (4G69)		Gasolina	FWD	2378	116	158	10.03-	■
2.4 (4G69)		Gasolina	FWD	2378	118	160	12.04-	■
2.4 (DJ1A)		Gasolina	FWD	2378	121	165	10.03-	■
2.4 GDi Sport 4WD (DJ1A)		Gasolina	4WD	2378	121	165	10.03-	■
3.8 (6G75)		Gasolina	FWD	3828	171	232	10.03-12.09	■
3.8 4WD (6G75)		Gasolina	4WD	3828	171	232	10.03-	■
GALANT V / SIGMA (E1_A) 10.83-12.90					Saloon (Compact car-C Segment)			
2.4 GLS (E16A) (G64B)		Gasolina	FWD	2351	82	112	07.85-04.90	■
2.4 GLS (E16A) (4G64 (8V))		Gasolina	FWD	2351	92	125	06.85-04.90	■
GALANT VII (E5_A, E7_A, E8_A) 11.92-10.96					Hatchback (Compact car-C Segment)			
1.8 (E52A) (4G93 (SOHC 16V))		Gasolina	FWD	1834	85	116	02.94-08.96	■
1.8 GLSI (E52A) (4G93 (SOHC 16V))		Gasolina	FWD	1834	93	126	11.92-08.96	■
2.0 GLSI (E55A) (4G63 (SOHC 16V))		Gasolina	FWD	1997	101	137	11.92-08.96	■
2.0 GLSI 4WD (E75A) (4G63 (SOHC 16V))		Gasolina	4WD	1997	101	137	11.92-08.96	■
2.0 V6-24 (E64A, E54A) (6A12)		Gasolina	FWD	1999	110	150	11.92-08.96	■
2.0 GLSTD (E57A) (4D68 T)		Diesel	FWD	1998	66	90	11.92-08.96	■

LISTA DE APLICACIONES - BUYERS GUIDE

GALANT VII (E5_A, E7_A, E8_A) 06.92-12.98						Saloon (Compact car-C Segment)			
1.8 (E52A) (4G93 (SOHC 16V))		Gasolina	FWD	1834	85	116	02.94-08.96	■	
1.8 GLSI (E52A) (4G93 (SOHC 16V))		Gasolina	FWD	1834	93	126	11.92-08.96	■	
2.0 (4G63 (SOHC 16V))		Gasolina	FWD	1997	100	136	11.92-08.96	■	
2.0 GLSI (E55A) (4G63 (SOHC 16V))		Gasolina	FWD	1997	101	137	11.92-08.96	■	
2.0 GLSI 4WD (E75A) (4G63 (SOHC 16V))		Gasolina	4WD	1997	101	137	11.92-08.96	■	
2.0 V6-24 (E64A, E54A) (6A12)		Gasolina	FWD	1999	110	150	11.92-08.96	■	
2.0 GLSTD (E57A) (4D68 T)		Diesel	FWD	1998	66	90	11.92-08.96	■	
GALANT VIII / ASPIRE (EA_) 09.96-10.04						Saloon (Executive car-E Segment)			
1.8 GDi (EA1A) (4G93 (GDI))		Gasolina	FWD	1834	103	140	11.97-10.01	■	
2.0 (EA2A) (4G63 (SOHC 16V))	-12/03	Gasolina	FWD	1997	98	133	09.00-10.04	■	
2.0 (EA2A) (4G63 (SOHC 16V))		Gasolina	FWD	1997	100	136	09.96-09.00	■	
2.0 GDI (EA7A) (4G94 (GDI))	-12/03	Gasolina	FWD	1999	107	146	01.97-10.04	■	
2.4 GDI (EA3A) (4G64 (GDI))	-12/03	Gasolina	FWD	2351	106	144	09.00-10.04	■	
2.4 GDI (EA3A) (4G64 (GDI))		Gasolina	FWD	2351	110	150	02.99-09.00	■	
2.4 GDI		Gasolina	FWD	2378	121	165	10.03-10.04	■	
2.5 V6 24V (EA5A) (6A13)	-12/03	Gasolina	FWD	2498	118	160	09.00-10.04	■	
2.5 V6 24V (EA5A) (6A13)		Gasolina	FWD	2498	120	163	09.96-09.00	■	
2.5 Type S (EC5A) (6A13)	-12/03	Gasolina	FWD	2498	151	205	10.99-10.04	■	
3.0 (EA8A) (6G72 (SOHC 24V))		Gasolina	FWD	2972	152	207	01.99-12.03	■	
2.0 TDI (EA6A) (4D68 T)	-12/01	Diesel	FWD	1998	66	90	09.96-10.04	■	
GALANT VIII / LEGNUM (EA_, EC_) 09.96-10.03						Estate (Executive car-E Segment)			
2.0 (EA2W) (4G63 (SOHC 16V))		Gasolina	FWD	1997	98	133	09.00-10.03	■	
2.0 (EA2W) (4G63 (SOHC 16V))		Gasolina	FWD	1997	100	136	09.96-09.00	■	
2.4 GDI (EA3W) (4G64 (GDI))		Gasolina	FWD	2351	106	144	09.00-10.03	■	
2.4 GDI (EA3W) (4G64 (GDI))		Gasolina	FWD	2351	110	150	02.99-10.03	■	
2.5 V6 24V (EA5W) (6A13)		Gasolina	FWD	2498	118	160	09.00-10.03	■	
2.5 V6 24V (EA5W) (6A13)		Gasolina	FWD	2498	120	163	09.96-09.00	■	
2.5 V6 24V (EC5W) (6A13TT)		Gasolina	4WD	2498	206	280	09.96-12.02	■	
2.0 TDI (EA6W) (4D68 T)	-12/01	Diesel	FWD	1998	66	90	09.96-10.03	■	
2.8 TD (4M40-T)		Diesel	FWD	2835	92	125	10.96-07.01	■	
L400 / SPACE GEAR (PD_W, PC_W, PA_V, PB_V, PA_W) 06.94-04.07						Bus (Minibus-M2-Segment)			
2.4 (PA4W) (4G64 (16V))		Gasolina	RWD	2351	97	132	05.95-10.02	■	
2.5 TD (PA5V/W, PB5V) (4D56-TD)		Diesel	RWD	2477	73	99	05.95-05.00	■	
2.5 TD 4WD (PD5V/W) (4D56-TD)		Diesel	4WD	2477	73	99	05.95-05.00	■	
MAGNA II (TS) 02.94-04.96						Saloon (Executive car-E Segment)			
2.5		Gasolina	FWD	2497	129	175	02.94-04.94	■	
PAJERO PININ / PAJERO IO / MONTERO IO / SHOGUN PININ (H6_W, H7_W) 01.99-06.07						Closed Off-Road Vehicle (Executive SUV-J Segment)			
1.8 (H76W, H66W) (4G93 (SOHC 16V))		Gasolina	4WD	1834	84	114	11.01-06.07	■	
1.8 GDI (H66W, H76W) (4G93 (GDI))		Gasolina	4WD	1834	88	120	10.99-10.01	■	
2.0 GDI (H67W, H77W) (4G94 (GDI))	for ABS	Gasolina	4WD	1999	95	129	10.00-06.07	■	
SANTAMO (UG) 03.99-12.04						MPV (Large MPV-M1 Segment)			
2.0 16V (4G63 (DOHC 16V))	-12/01	Gasolina	FWD	1997	102	139	05.99-12.04	■	
2.0 16V 4WD (4G63 (DOHC 16V))	-12/01	Gasolina	4WD	1997	102	139	05.99-12.04	■	
SAPPORO II (E16A) 06.87-08.90						Coupe (Supermini car-B Segment)			
2.4 (E16A) (4G64 (8V))	01/88-	Gasolina	FWD	2351	91	124	06.87-08.90	■	
SIGMA (F2_A, F1_A) 10.90-07.96						Saloon (Compact car-C Segment)			
3.0 V6 (F17A) (6G72 (SOHC 12V))		Gasolina	FWD	2972	130	177	12.90-07.96	■	

LISTA DE APLICACIONES - BUYERS GUIDE

3.0 V6 (F17A) (6G72 (DOHC 24V))	Gasolina	FWD	2972	151	205	12.90-07.96	■
SIGMA Station Wagon (F0_W) 06.92-10.96				Estate (Compact car-C Segment)			
3.0 (F07W) (6G72 (SOHC 12V))	Gasolina	FWD	2972	125	170	06.92-10.96	■
SPACCE RUNNER / RVR (N1_W, N2_W) 10.91-08.99				MPV (Mini MPV-M1 Segment)			
1.8 (N11W) (4G93 (SOHC 16V))	Gasolina	FWD	1834	85	116	06.96-08.99	■
1.8 4WD (N21W) (4G93 (SOHC 16V))	Gasolina	4WD	1834	85	116	06.96-08.99	■
1.8 (N11W) (4G93 (SOHC 16V))	Gasolina	FWD	1834	90	122	10.91-08.99	■
1.8 4WD (N21W) (4G93 (SOHC 16V))	Gasolina	4WD	1834	90	122	10.91-08.99	■
2.0 16V (N13W) (4G63 (DOHC 16V))	Gasolina	FWD	1997	98	133	03.93-12.97	■
2.0 TD (N18W) (4D68 T)	Diesel	FWD	1998	60	82	10.92-08.99	■
SPACCE RUNNER / RVR II (N6_W, N7_W) 11.97-01.03				MPV (Mini MPV-M1 Segment)			
2.0 (N63W) (4G63 (SOHC 16V))	Gasolina	FWD	1997	98	133	05.00-08.02	■
2.0 (N63W) (4G63 (SOHC 16V))	Gasolina	FWD	1997	100	136	08.99-08.02	■
2.4 GDI (N64W) (4G64 (GDI))	Gasolina	FWD	2351	108	147	08.99-08.02	■
2.4 GDI (N64W) (4G64 (GDI))	Gasolina	FWD	2351	110	150	08.99-01.03	■
SPACE WAGON II / CHARIOT / NIMBUS (N3_W, N4_W) 05.91-11.00				MPV (Compact MPV-M1 Segment)			
1.8 (N31W) (4G93 (SOHC 16V))	Gasolina	FWD	1834	90	122	10.91-10.98	■
1.8 4WD (N41W) (4G93 (SOHC 16V))	Gasolina	4WD	1834	90	122	10.91-10.98	■
2.0 (N33W) (4G63 (SOHC 8V))	Gasolina	FWD	1997	77	105	05.91-10.97	■
2.0 (N33W) (4G63 (SOHC 16V))	Gasolina	FWD	1997	98	133	10.92-10.98	■
2.0 4WD (N43W) (4G63 (SOHC 16V))	Gasolina	4WD	1997	98	133	10.92-10.98	■
2.4 (4G64 (16V))	Gasolina	FWD	2351	85	116	04.92-05.95	■
2.4 4WD (N44W) (4G64 (16V))	Gasolina	4WD	2351	86	117	10.91-10.97	■
2.4 (N34W) (4G64 (16V))	Gasolina	FWD	2351	88	120	10.91-10.97	■
2.4 i (N34W) (4G64 (16V))	Gasolina	FWD	2351	102	139	10.92-10.98	■
1.8 TD (N35W) (4D65 T)	Diesel	FWD	1795	55	75	10.91-10.98	■
2.0 TD (N38W) (4D68 T)	Diesel	FWD	1998	60	82	10.92-10.98	■