

LISTA DE APLICACIONES - BUYERS GUIDE

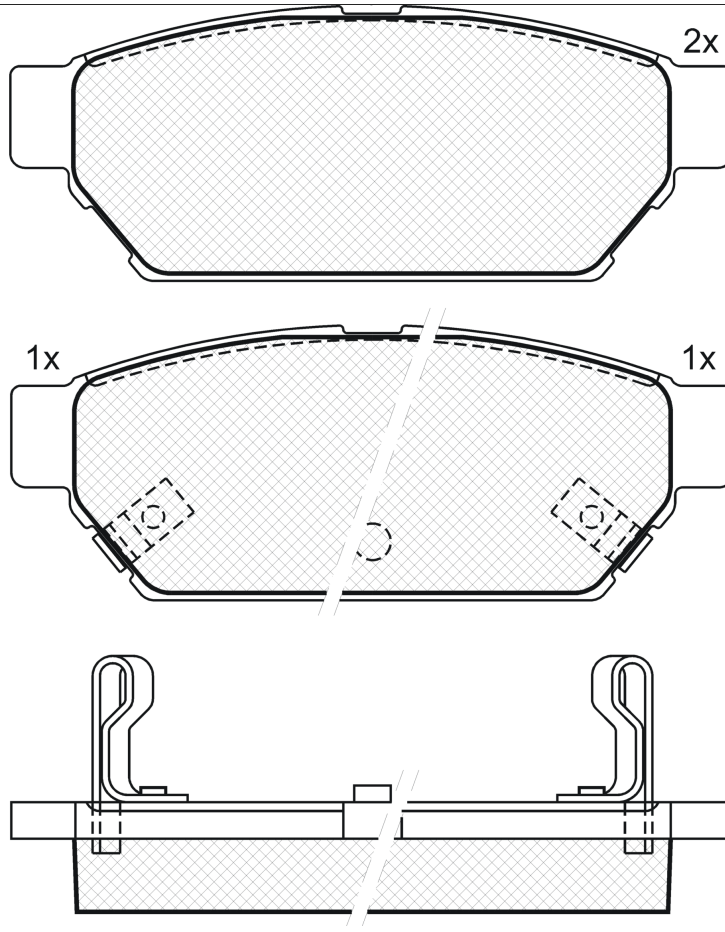
180982



Qty: 300

Weight: 730

O.E.M.	MAKE
MB 699 334	MITSUBISHI
MB 699 336	MITSUBISHI
MB 928 314	PROTON
MN 116 770	MITSUBISHI
MR 205 377	MITSUBISHI
MR 389 565	PROTON
MR 389 569	MITSUBISHI
X3 516 003	MITSUBISHI



180982

E1 90R-01101/362



Akebono

98.85x37.65x14.5

WVA	FMSI
21872	D596-7474
21873	
21874	
25277	
25278	

MAKE
DONGNAN (SOUEAST)
MITSUBISHI
PROTON



Trac.	CC	Kw	CV
-------	----	----	----



Front / Rear

DONGNAN (SOUEAST)

LIONCEL 03.03-

Model	Trac.	CC	Kw	CV	Year	Segment
1.6	Gasolina	FWD	1584	74	101 03.03-	Saloon ()

MITSUBISHI

CARISMA (DA_) 05.95-06.06

Model	Trac.	CC	Kw	CV	Year	Segment
1.6 (DA1A) (4G92 (SOHC 16V))	Gasolina	FWD	1597	66	90 07.95-06.06	Hatchback (Large family car-D Segment)
1.6 (DA1A) (4G92 (SOHC 16V))	Gasolina	FWD	1597	70	95 12.98-06.06	
1.6 (DA1A) (4G92 (SOHC 16V))	Gasolina	FWD	1597	73	99 05.97-06.06	
1.6 (DA1A) (4G92 (SOHC 16V))	Gasolina	FWD	1597	76	103 05.95-12.03	
1.8 (DA2A) (4G93 (SOHC 16V))	Gasolina	FWD	1834	85	116 07.95-07.97	
1.8 16V GDI (DA2A) (4G93 (GDI))	Gasolina	FWD	1834	92	125 09.97-06.06	
1.8 MSX - 16V (DA2A) (4G93 (DOHC 16V))	Gasolina	FWD	1834	103	140 07.95-07.97	
1.9 TD (DA4A) (F8QT)	Diesel	FWD	1870	66	90 10.96-09.00	

CARISMA (DA_) 09.96-06.06

Model	Trac.	CC	Kw	CV	Year	Segment
1.6 (DA1A) (4G92 (SOHC 16V))	Gasolina	FWD	1597	66	90 09.96-06.06	Saloon (Large family car-D Segment)
1.6 (DA1A) (4G92 (SOHC 16V))	Gasolina	FWD	1597	70	95 12.98-06.06	
1.6 (DA1A) (4G92 (SOHC 16V))	Gasolina	FWD	1597	73	99 05.97-06.06	
1.6 (DA1A) (4G92 (SOHC 16V))	Gasolina	FWD	1597	76	103 09.00-06.06	
1.8 (DA2A) (4G93 (SOHC 16V))	Gasolina	FWD	1834	85	115 09.96-09.97	
1.8 16V GDI (DA2A) (4G93 (GDI))	Gasolina	FWD	1834	92	125 09.97-06.06	
1.9 TD (DA4A) (F8QT)	Diesel	FWD	1870	66	90 10.96-09.00	

COLT II (C5_A) 10.86-05.92

Model	Trac.	CC	Kw	CV	Year	Segment
1.3 GLi 12V (CA1A) (4G13 (12V))	Gasolina	FWD	1299	55	75 04.92-04.96	Hatchback (Supermini car-B Segment)

LISTA DE APLICACIONES - BUYERS GUIDE

1.6 i 16V Gli	01/90-	Gasolina	FWD	1595	83	113	10.86-	■	
1.6 i 16V GLXi	01/90-	Gasolina	FWD	1595	83	113	10.86-	■	
1.6 i 16V GLXi 4WD	01/90-	Gasolina	FWD	1595	83	113	10.86-	■	
1.6 (CA4A) (4G92 (SOHC 16V))		Gasolina	FWD	1597	66	90	02.94-04.96	■	
1.6 GLXi 16V (CA4A) (4G92 (SOHC 16V))		Gasolina	FWD	1597	83	113	04.92-04.96	■	
1.6 4WD (CC4A) (4G92 (SOHC 16V))		Gasolina	4WD	1597	84	114	08.93-08.95	■	
1.8 GTi 16V (CA5A) (4G93 (DOHC 16V))		Gasolina	FWD	1834	103	140	04.92-04.96	■	
COLT II / MIRAGE (CJ_, CP_) 09.95-08.04							Hatchback (Supermini car-B Segment)		
1.5 16V (CJ2A)		Gasolina	FWD	1468	69	94	10.99-09.03	■	
1600 GLX (CJ4A) (4G92 (SOHC 16V))		Gasolina	FWD	1597	66	90	05.96-09.00	■	
FTO (DE_A) 09.94-07.01							Coupe (Sports car-S Segment)		
1.8 2D	01/94-	Gasolina	FWD	1795			09.94-	■	
2.0 2D	01/94-	Gasolina	FWD	1995			09.94-	■	
LANCER III (C6_A, C7_A) 04.88-05.94							Hatchback (Supermini car-B Segment)		
1.6 4WD (C76A, C66A) (4G92 (SOHC 16V))		Gasolina	4WD	1597	84	114	06.92-11.93	■	
1.8 GTI		Gasolina	FWD	1755	66	90	06.92-07.93	■	
1.8 GTI		Gasolina	FWD	1755	70	95	06.92-07.93	■	
1.8 4WD (C77A) (4G37)	01/90-	Gasolina	4WD	1755	71	97	09.89-06.92	■	
1.8 GTi 16V (C69A) (4G93 (DOHC 16V))		Gasolina	FWD	1834	103	140	06.92-12.93	■	
LANCER III / LIBERO (CB_A, CD_A, CE_A) 07.91-12.96							Saloon (Supermini car-B Segment)		
1.3 (CB1A) (4G13 (12V))		Gasolina	FWD	1298	55	75	06.92-02.95	■	
1.3 (CB1A) (4G13 (12V))		Gasolina	FWD	1299	55	75	06.92-12.96	■	
1.6 (CB4A) (4G92 (SOHC 16V))	-12/95	Gasolina	FWD	1597	66	90	02.94-12.96	■	
1.6 16V (CB4A) (4G92 (SOHC 16V))	-12/95	Gasolina	FWD	1597	83	113	06.92-12.96	■	
1.6 16V 4WD (CD4A) (4G92 (SOHC 16V))	-12/95	Gasolina	4WD	1597	83	113	06.92-12.96	■	
1.8 GTi (CB5A)		Gasolina	FWD	1834	100	136	07.91-07.93	■	
1.8 16V (CB5A) (4G93 (DOHC 16V))		Gasolina	FWD	1834	103	140	06.92-12.93	■	
EVO II (CE9A) (4G63 TURBO)		Gasolina	4WD	1997	192	261	01.94-07.95	■	
EVO III (CE9A) (4G63 TURBO)		Gasolina	4WD	1997	198	269	08.95-07.96	■	
2.0 Diesel (CB8A) (4D68)	-12/95	Diesel	FWD	1998	50	68	06.92-12.96	■	
LANCER III-IV / LIBERO Station Wagon (CB_W, CD_W) 09.92-10.03							Estate (Compact car-C Segment)		
1.5 (CB2W) (4G15 (12V))		Gasolina	FWD	1468	63	86	03.95-10.03	■	
1.6 16V (CB4W) (4G92 (SOHC 16V))	-12/95	Gasolina	FWD	1597	83	113	12.92-10.03	■	
1.6 16V 4WD (CD4W) (4G92 (SOHC 16V))	-12/95	Gasolina	4WD	1597	83	113	12.92-10.03	■	
1.8		Gasolina	FWD	1834	88	120	03.95-10.03	■	
1.8 i (CB5W) (4G93 (SOHC 16V))		Gasolina	FWD	1834	88	120	03.95-10.03	■	
2.0 D (CB8W) (4D68)	-12/93	Diesel	FWD	1998	50	68	12.92-10.03	■	
2.0 D (CB8W) (4D68 T)		Diesel	FWD	1998	65	88	03.95-10.03	■	
MIRAGE IV (CJ_A, CL_A, CA_A, CC_A) 07.91-07.03							Hatchback (Supermini car-B Segment)		
1.3		Gasolina	FWD	1298	55	75	09.95-07.03	■	
1.5		Gasolina	FWD	1468	81	110	09.95-08.99	■	
1.6		Gasolina	FWD	1597	84	114	09.99-07.03	■	
1.6 (4G92 (SOHC 16V))		Gasolina	FWD	1597	84	114	12.91-08.95	■	
1.6 4WD (CL4A) (4G92 (SOHC 16V))		Gasolina	4WD	1597	84	114	03.92-07.93	■	
1.6 (CJ4A) (4G92 (SOHC 16V))		Gasolina	FWD	1597	88	119	12.91-08.95	■	
1.6 4WD (CL4A) (4G92 (SOHC 16V))		Gasolina	4WD	1597	88	119	12.91-08.95	■	
1.6 ZR (CJ4A) (4G92 (DOHC 16V))		Gasolina	FWD	1597	128	174	09.95-08.99	■	
1.8 GTI	-12/02	Gasolina	FWD	1834	103	140	12.91-07.03	■	
2.0		Gasolina	FWD	1997	83	113	09.95-08.99	■	

LISTA DE APLICACIONES - BUYERS GUIDE

2.0 TD		Diesel	RWD	1998	69	94	09.95-07.03	■	
MIRAGE IV 12.91-08.95					Saloon (Supermini car-B Segment)				
1.3 (CA1A) (4G13 (12V))		Gasolina	FWD	1298	58	79	12.91-08.95	■	
1.8 Gsi		Gasolina	FWD	1834	103	140	12.91-08.95	■	
1.8 TD		Diesel	RWD	1795	56	76	12.91-08.95	■	
1.8 TD		Diesel	RWD	1795	56	76	12.91-08.95	■	
2.0 GD		Diesel	RWD	1998	54	73	12.91-08.95	■	
2.0 TD		Diesel	RWD	1998	65	88	12.91-08.95	■	
2.0 TD		Diesel	RWD	1998	65	88	12.91-08.95	■	
MIRAGE IV Station Wagon 12.91-07.03					Estate (Supermini car-B Segment)				
1.8 GTI	-12/02	Gasolina	FWD	1834	103	140	08.01-07.03	■	
MIRAGE V (CJ - CM) 09.95-08.02					Coupe (Supermini car-B Segment)				
1.3		Gasolina	FWD	1298	55	75	09.95-08.99	■	
1.5 (CJ2A) (4G15 (16V))	01/97-	Gasolina	FWD	1468	81	110	09.95-08.99	■	
1.6 ZR (CJ4A) (4G92 (DOHC 16V))		Gasolina	FWD	1597	128	174	09.95-08.99	■	
1.8		Gasolina	FWD	1829	103	140	09.95-08.02	■	
PROTON									
AEROBACK / ISWARA / MPI (C2_A, C9_L) 10.88-12.08					Hatchback (Compact car-C Segment)				
1.3 (4G13)		Gasolina	FWD	1298	50	68	01.91-09.93	■	
1.3 (4G13)		Gasolina	FWD	1298	55	75	10.88-12.02	■	
PERSONA 300 / SATRIA (C9_M) 03.96-07.04					Hatchback (Compact car-C Segment)				
316 (4 G 92)	01/00-	Gasolina	FWD	1597	70	95	03.96-07.04	■	
316 GLXi (4 G 92)		Gasolina	FWD	1597	83	113	03.96-07.00	■	
1.8 GTI	01/99-	Gasolina	FWD	1795	98	134	03.96-	■	
318 16V GTI (4 G 93 (DOHC))	01/99-	Gasolina	FWD	1834	99	135	03.96-07.00	■	
1.8 GTI		Gasolina	FWD	1834	103	140	08.00-07.04	■	
PERSONA 400 01.89-					Hatchback (Compact car-C Segment)				
1.3 413 GL, GLS ABS	01/90-	Gasolina	FWD	1295	53	72	01.89-	■	
1.3 413 GL, GLS ABS	01/93-	Gasolina	FWD	1295	53	72	01.89-	■	
1.5 415 GL, GLS, LE,SE ABS	01/92-	Gasolina	FWD	1495	57	78	01.89-	■	
1.5 415 GL, GLS, LE,SE ABS	01/92-	Gasolina	FWD	1495	66	90	01.89-	■	
1.6 416 SL ABS	01/94-	Gasolina	FWD	1595	65	89	01.89-	■	
PERSONA 400 / WIRA (C9_C, C9_S) 01.94-02.08					Hatchback (Compact car-C Segment)				
416 i (4 G 92)	01/00-	Gasolina	FWD	1597	70	95	12.95-07.00	■	
416 GLXi (4 G 92)	01/00-	Gasolina	FWD	1597	83	113	01.94-07.00	■	
418 GLXi (4 G 93 (DOHC))		Gasolina	FWD	1834	85	115	05.96-07.00	■	
1.8 (4 G 93 (DOHC))		Gasolina	FWD	1834	99	135	08.00-12.01	■	
PERSONA 400 / WIRA (C9_S) 01.94-02.08					Saloon (Compact car-C Segment)				
416 (4 G 92)		Gasolina	FWD	1597	70	95	08.00-02.02	■	
416 GLXi (4 G 92)	-12/97	Gasolina	FWD	1597	83	113	01.94-07.00	■	
418 (4 G 93 (DOHC))		Gasolina	FWD	1834	85	115	05.96-07.00	■	
1.8 (4 G 93 (DOHC))		Gasolina	FWD	1834	99	135	08.00-12.01	■	
PUTRA / M21 01.95-11.01					Coupe (Compact car-C Segment)				
1.8 M21 16V	01/95-	Gasolina	FWD	1795	98	134	01.95-	■	
SALOON / ISWARA / MPI (C2_S) 01.89-12.08					Saloon (Compact car-C Segment)				
1.3 (4G13)		Gasolina	FWD	1298	50	68	01.91-09.93	■	
1.3 (4G13-M)		Gasolina	FWD	1298	55	75	10.92-06.96	■	

LISTA DE APLICACIONES - BUYERS GUIDE

1.5		Gasolina	FWD	1468	66	90	01.91-11.96	■
SATRIA / COMPACT (C9_M) 07.95-06.07					Hatchback (Supermini car-B Segment)			
1.6 (4 G 92)		Gasolina	FWD	1597	83	111	07.97-05.06	■
1.8 GTI (4 G 93 (DOHC))		Gasolina	FWD	1834	103	140	08.00-05.06	■
WIRA (C9_L) 01.94-06.07					Hatchback (Compact car-C Segment)			
1.5 (4 G 15 M)		Gasolina	FWD	1468	64	86	08.00-06.07	■
1.8		Gasolina	FWD	1834	99	135	08.00-12.01	■
WIRA 05.93-12.09					Saloon (Compact car-C Segment)			
1.5 (4 G 15)		Gasolina	FWD	1468	64	86	08.00-	■
1.6 (4 G 92)		Gasolina	FWD	1597	70	95	08.00-02.02	■
1.8		Gasolina	FWD	1834	99	135	08.00-12.01	■