

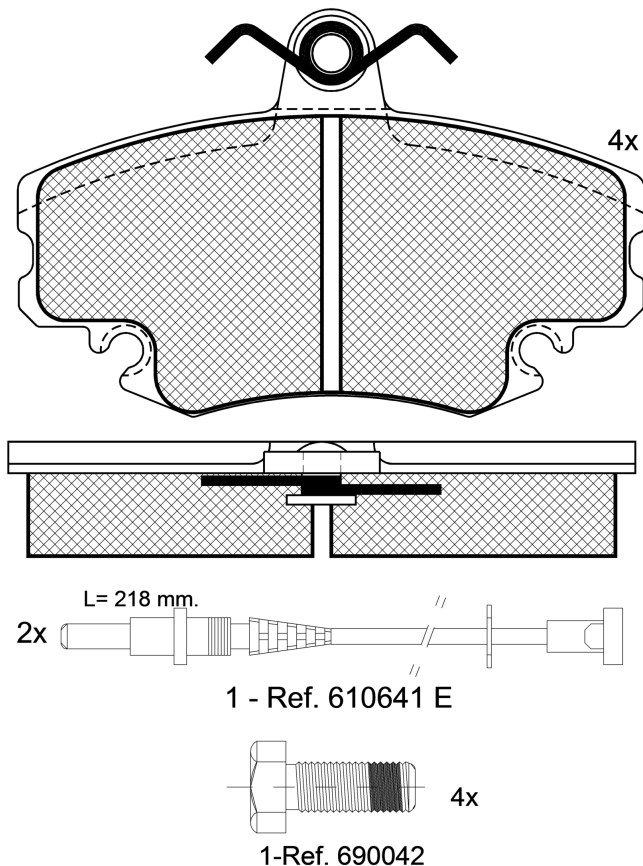
LISTA DE APLICACIONES - BUYERS GUIDE

180993-700



Qty: 300 Weight: 1.070

O.E.M.	MAKE
60 00 008 018	ALPINE
60 00 008 126	RENAULT
77 01 201 669	RENAULT
77 01 201 774	RENAULT
77 01 201 785	RENAULT
77 01 203 795	RENAULT
77 01 203 796	RENAULT
77 01 203 797	RENAULT
77 01 204 065	RENAULT
77 01 204 066	RENAULT
77 01 204 357	RENAULT
77 01 204 358	RENAULT
77 01 204 833	RENAULT
77 01 205 355	RENAULT
77 01 205 411	RENAULT
77 01 206 082	RENAULT
77 01 207 960	RENAULT
77 01 349 997	RENAULT
77 01 365 808	RENAULT
77 01 365 825	RENAULT
77 02 295 181	RENAULT
77 11 130 071	DACIA
86 60 004 589	RENAULT
86 71 000 107	RENAULT
86 71 016 173	DACIA



180993-700

E1 90R-01101/048



Lucas - Girling

99.9x64.9x18

WVA	FMSI
21404	D1146-8256
21463	
21472	
21473	
25782	

MAKE
ALPINE
DACIA
IKCO
LADA
LIFAN
MAHINDRA RENAULT
NISSAN
PEUGEOT
RENAULT



	Trac.	CC	Kw	CV			
							Front / Rear

ALPINE

A610 01.91-04.95						Coupe (Sports car-S Segment)			
3.0 Turbo (Z7X 744)		Gasolina	RWD	2975	184	250	01.91-04.95	■	
V6 01.85-03.92						Coupe (Sports car-S Segment)			
TURBO (Z7U 734)		Gasolina	RWD	2458	136	185	01.85-12.90	■	
TURBO (Z7U 730)		Gasolina	RWD	2458	147	200	01.88-12.90	■	
GT (Z6W 700)		Gasolina	RWD	2849	116	158	01.85-12.90	■	

DACIA

LOGAN (LS_) 08.04-						Saloon (Compact car-C Segment)			
1.2 16V (LS1N, LS02, BS02) (D4F 732)	discØ 238, discØ 259, -04/13, Vented disc	Gasolina	FWD	1149	55	75	02.06-	■	
1.4 (LS0A, LS0C, LS0E, LS0G) (K7J 710)	Vented disc, discØ 259	Gasolina	FWD	1390	55	75	09.04-	■	
1.6 MPI 85 (K7M 800)	Vented disc, discØ 259, Perforated	Gasolina	FWD	1598	62	84	05.10-	■	
1.6 (LS0B, LS0D, LS0F, LS0H) (K7M 710)	Vented disc, discØ 259	Gasolina	FWD	1598	64	87	09.04-	■	
1.6 16V (LS09, LS0L, LS0M, LS0P, LS0V, LS18, LS1S, LS1V,... (K4M 690)	Vented disc, discØ 259	Gasolina	FWD	1598	77	105	02.06-	■	
1.6 16V (LS09, LS0L, LS0M, LS0P, LS0V, LS18, LS1S, LS1V,... (K4M 694)	Vented disc, discØ 259	Gasolina	FWD	1598	77	105	02.06-	■	
1.6 16V (LS09, LS0L, LS0M, LS0P, LS0V, LS18, LS1S, LS1V,... (K4M 696)	Vented disc, discØ 259	Gasolina	FWD	1598	77	105	02.06-	■	
1.6 16V (LS09, LS0L, LS0M, LS0P, LS0V, LS18, LS1S, LS1V,... (K4M 697)	Vented disc, discØ 259	Gasolina	FWD	1598	77	105	02.06-	■	
1.6 16V (LS09, LS0L, LS0M, LS0P, LS0V, LS18, LS1S, LS1V,... (K4M 698)	Vented disc, discØ 259	Gasolina	FWD	1598	77	105	02.06-	■	
1.2 16V LPG (D4F 734)	Vented disc, discØ 259	Gasol./G as (LPG)	FWD	1149	55	75	02.06-	■	
1.4 MPI LPG (LS0C) (K7J 710)	discØ 238, discØ 259, Vented disc	Gasol./G as (LPG)	FWD	1390	55	75	02.06-12.12	■	

LISTA DE APLICACIONES - BUYERS GUIDE

1.4 MPI LPG (LS0C) (K7J 714)	discØ 238, discØ 259, Vented disc	Gasol./G as (LPG)	FWD	1390	55	75	02.06-12.12	■
1.6 BiFuel (K7M 718)	Vented disc, discØ 259	Gasol./G as (LPG)	FWD	1598	62	84	05.10-	■
1.6 LPG (K7M 718)	Vented disc, discØ 259	Gasol./G as (LPG)	FWD	1598	64	87	08.04-03.11	■
1.0 Hi-Flex (LS0R, LS1G) (D4D 760)	Vented disc, discØ 259	Gasol./Et anol	FWD	999	56	76	01.11-10.12	■
1.6 16V Flexifuel (K4M 696)	01/11-, -04/13, Eq.V_ disc. 259 o 288, Vented disc, discØ 259	Gasol./Et anol	FWD	1598	77	105	07.10-	■
1.5 dCi (LS0J, LS0Y) (K9K 790)	Vented disc, discØ 259	Diesel	FWD	1461	48	65	09.05-	■
1.5 dCi (LS0K) (K9K 792)	Vented disc, discØ 259	Diesel	FWD	1461	50	68	01.06-12.12	■
1.5 dCi (LS04) (K9K 892)	Vented disc, discØ 259	Diesel	FWD	1461	55	75	05.10-12.12	■
1.5 dCi (LS0W) (K9K 796)	Vented disc, discØ 259	Diesel	FWD	1461	63	86	09.07-12.11	■
1.5 dCi (LS04) (K9K 892)	Vented disc, discØ 259	Diesel	FWD	1461	65	88	05.10-	■
LOGAN MCV (KS_) 02.07-				Estate (Compact car-C Segment)				
1.4 (K7J 710)	discØ 259	Gasolina	FWD	1390	55	75	02.07-	■
1.6 MPI 85 (K7M 800)	discØ 259	Gasolina	FWD	1598	62	84	05.10-	■
1.6 (KS0B, KS0D, KS0F) (K7M 710)	discØ 259	Gasolina	FWD	1598	64	87	02.07-06.13	■
1.6 16V (KS0L, KS0M, KS0P, KS1S) (K4M 690)	discØ 259	Gasolina	FWD	1598	77	105	02.07-	■
1.6 16V (KS0L, KS0M, KS0P, KS1S) (K4M 696)	discØ 259	Gasolina	FWD	1598	77	105	02.07-	■
1.6 16V (KS0L, KS0M, KS0P, KS1S) (K4M 697)	discØ 259	Gasolina	FWD	1598	77	105	02.07-	■
1.6 BiFuel (K7M 718)	discØ 259	Gasol./G as (LPG)	FWD	1598	62	84	05.10-	■
1.6 BiFuel (K7M 710)	discØ 259	Gasol./G as (LPG)	FWD	1598	64	87	11.08-	■
1.6 16V Hi-Flex (K4M 690)	discØ 259	Gasol./Et anol	FWD	1598	77	105	11.09-	■
1.5 dCi (K9K 790)		Diesel	FWD	1461	48	65	04.08-06.13	■
1.5 dCi (KS0K) (K9K 792)	discØ 259	Diesel	FWD	1461	50	68	02.07-	■
1.5 dCi (KS04) (K9K 892)	discØ 259	Diesel	FWD	1461	55	75	05.10-06.13	■
1.5 dCi (KS0W) (K9K 796)	discØ 259	Diesel	FWD	1461	63	86	09.07-12.12	■
1.5 dCi (KS04) (K9K 892)	discØ 259	Diesel	FWD	1461	65	88	05.10-	■
SANDERO (BS_) 06.08-				Hatchback (Compact car-C Segment)				
1.2 16V (D4F 732)	discØ 259	Gasolina	FWD	1149	55	75	11.08-06.13	■
1.4 (BS0C, BS0A, BS0G, BS1F, BS0E) (K7J 710)	vehicles with ABS, Vented disc, discØ 259	Gasolina	FWD	1390	55	75	06.08-12.12	■
1.6 MPI 85 (BS03) (K7M 800)	-02/13, discØ 259	Gasolina	FWD	1598	62	84	05.10-06.13	■
1.6 (BS0D, BS0B, BS0F, BS0H) (K7M 710)	discØ 259	Gasolina	FWD	1598	64	87	06.08-12.12	■
1.6 16V (K4M 690)		Gasolina	FWD	1598	77	105	07.11-12.12	■
1.6 16V (K4M 694)		Gasolina	FWD	1598	77	105	07.11-12.12	■
1.2 16V LPG (D4F 732)	-02/13, discØ 259	Gasol./G as (LPG)	FWD	1149	55	75	11.08-06.13	■
1.4 MPI LPG (K7J 714)		Gasol./G as (LPG)	FWD	1390	53	72	01.09-12.12	■
1.6 LPG (BS03) (K7M 818)	discØ 259	Gasol./G as (LPG)	FWD	1598	60	82	01.11-12.12	■
1.6 LPG (K7M 818)		Gasol./G as (LPG)	FWD	1598	62	84	05.10-10.12	■
1.6 LPG (K7M 718)	discØ 259	Gasol./G as (LPG)	FWD	1598	64	87	06.08-12.12	■
1.0 Hi-Flex (D4D 760)	discØ 259	Gasol./Et anol	FWD	999	56	76	01.11-12.12	■
1.6 Hi-Flex (BS1H) (K7M 732)		Gasol./Et anol	FWD	1598	64	87	06.08-12.12	■
1.6 16V Bifuel (K4M 690)	discØ 259	Gasol./Et anol	FWD	1598	77	105	01.11-12.12	■
1.6 16V Bifuel (K4M 694)	discØ 259	Gasol./Et anol	FWD	1598	77	105	01.11-12.12	■

LISTA DE APLICACIONES - BUYERS GUIDE

1.6 16V Bifuel (K4M 696)	discØ 259	Gasol./Etanol	FWD	1598	77	105	01.11-12.12	■	
1.5 dCi (K9K 790)		Diesel	FWD	1461	48	65	11.08-12.12	■	
1.5 dCi (K9K 792)	discØ 259	Diesel	FWD	1461	50	68	11.08-12.12	■	
1.5 dCi (K9K 892)	discØ 259	Diesel	FWD	1461	55	75	05.10-06.13	■	
1.5 dCi (K9K 796)	discØ 259	Diesel	FWD	1461	63	86	11.08-12.12	■	
1.5 dCi (K9K 892)	discØ 259, discØ 238	Diesel	FWD	1461	65	88	05.10-06.13	■	
SOLENZA (B41_) 02.03-							Hatchback (Supermini car-B Segment)		
1.4 (B41A, B41B, B41C) (E7J 262)		Gasolina	FWD	1390	55	75	02.03-10.05	■	
1.9 D (B41E, B41F, B41G) (F8Q 636)	01/12-	Diesel	FWD	1870	46	63	02.03-	■	
SUPERNOVA 04.00-03.03							Hatchback (Supermini car-B Segment)		
1.4 (E7J 262)		Gasolina	FWD	1390	55	75	04.00-03.03	■	
IKCO									
RENAULT TONDAR 90 (LSDAM) 11.04-							Saloon ()		
1.6 (K4M)	vehicles without ABS	Gasolina	FWD	1598	77	105	04.08-	■	
1.6 CNG	vehicles without ABS	CNG	FWD	1598	77	105	11.04-03.10	■	
LADA									
LARGUS (KS0_, RS0_, KSA_) 03.12-							Estate Van (Compact car-C Segment)		
1.6 (KS035, RS035) (11189)	vehicles without ABS	Gasolina	FWD	1597	64	87	06.16-	■	
1.6 (KS045, RS045) (21129)	vehicles with ABS	Gasolina	FWD	1597	78	106	09.17-	■	
1.6 (KS0Y5, RS0Y5) (K7M)	vehicles without ABS	Gasolina	FWD	1598	62	84	03.12-	■	
1.6 (KS0Y5, RS0Y5) (K4M)	vehicles with ABS	Gasolina	FWD	1598	75	102	04.16-	■	
1.6 (KS0Y5, RS0Y5) (K4M)	vehicles without ABS	Gasolina	FWD	1598	77	105	03.12-	■	
1.6 CNG (KSA45) (21129)	vehicles with ABS	Gasol./Gas (CNG)	FWD	1597	69	94	11.18-	■	
LARGUS (KS0_, RS0_, KSA_) 03.12-							Estate (Compact car-C Segment)		
1.6 (KS035, RS035) (11189)	vehicles with ABS	Gasolina	FWD	1597	64	87	04.16-03.21	■	
1.6 (KS045, RS045) (21129)	vehicles with ABS	Gasolina	FWD	1597	78	106	09.17-	■	
1.6 (RS0Y5, KS0Y5) (K7M)	vehicles with ABS	Gasolina	FWD	1598	62	84	03.12-	■	
1.6 (KS0Y5, RS0Y5) (K4M)	vehicles with ABS	Gasolina	FWD	1598	77	105	03.12-	■	
1.6 CNG (KSA45) (21129)	vehicles without ABS	Gasol./Gas (CNG)	FWD	1597	69	94	11.18-	■	
LARGUS (FS0_, FSA_) 03.12-							Van (LCVs-N1 Segment)		
1.6 (FS035) (11189)	vehicles without ABS	Gasolina	FWD	1597	64	87	06.16-	■	
1.6 (FS045) (21129)	vehicles with ABS	Gasolina	FWD	1597	78	106	09.17-	■	
1.6 (FS015) (K7M)	vehicles without ABS	Gasolina	FWD	1598	62	84	03.12-	■	
1.6 (FS0Y5) (K4M)	vehicles without ABS	Gasolina	FWD	1598	77	105	03.12-	■	
1.6 CNG (FSA45) (21129)	vehicles with ABS	Gasol./Gas (CNG)	FWD	1597	69	94	11.18-	■	
LIFAN									
520i 04.06-							Hatchback (Compact car-C Segment)		
1.6 (LF481Q3)		Gasolina	FWD	1587	78	106	04.06-	■	
MAHINDRA RENAULT									
LOGAN 04.07-							Saloon (Compact car-C Segment)		
1.4		Gasolina	FWD	1390	55	75	04.07-	■	
1.6 CNG		Gasolina	FWD	1598	63	86	04.07-	■	
1.5 D		Diesel	RWD	1461	48	65	04.07-	■	

LISTA DE APLICACIONES - BUYERS GUIDE

NISSAN									
APRIO 07.08-					Saloon (Compact car-C Segment)				
1.6		Gasolina	FWD	1598	64	87	10.09-		■
1.6		Gasolina	FWD	1598	76	103	07.08-		■
NP200 10.08-					Pickup (Pick-Up Truck)				
1.6	vehicles without ABS	Gasolina	FWD	1598	64	87	10.08-		■
1.6	vehicles without ABS	Gasolina	FWD	1598	77	105	10.08-		■
1.5 dCi	vehicles without ABS	Diesel	RWD	1461	63	86	10.08-		■
PLATINA / SYMBOL 06.01-12.10					Saloon (Supermini car-B Segment)				
1.6 LT		Gasolina	FWD	1598	79	107	06.01-09.05		■
1.6 (K4M)		Gasolina	FWD	1598	81	110	06.01-06.08		■
1.6		Gasolina	FWD	1598	82	112	03.02-06.08		■
PEUGEOT									
205 (741B, 20D) 03.86-11.95					Convertible (Supermini car-B Segment)				
1.9 CTI (DFZ (XU9J1))		Gasolina	FWD	1905	75	102	10.87-12.94		■
205 (741A/C) 02.83-10.87					Hatchback (Supermini car-B Segment)				
1.9 GTI Cat (DFZ (XU9J1))		Gasolina	FWD	1905	75	102	10.87-07.94		■
1.9 GTI (DKZ (XU9JAZ))		Gasolina	FWD	1905	88	120	10.87-10.94		■
1.9 GTI (D6B (XU9JA))		Gasolina	FWD	1905	94	128	10.86-10.87		■
1.9 GTI (D6B (XU9JA))		Gasolina	FWD	1905	94	128	10.87-09.98		■
309 (10S, 3S) 10.85-10.93					Hatchback Van (Compact car-C Segment)				
1.9 D (DJY (XUD9A))	Perforated	Diesel	FWD	1905	50	68	10.91-10.93		■
309 (10C, 10A) 10.85-12.89					Hatchback (Compact car-C Segment)				
1.4 (Y2/K)	Perforated	Gasolina	FWD	1442	61	83	10.85-08.89		■
1.6 (180Z (XU5J))		Gasolina	FWD	1580	76	103	11.85-09.88		■
1.6 (B6B (XU5J))		Gasolina	FWD	1580	76	103	11.85-09.88		■
1.6		Gasolina	FWD	1580	83	113	07.86-06.89		■
1.9 (DFZ (XU9J1))	Perforated	Gasolina	FWD	1905	72	98	03.86-07.89		■
1.9 GTI (DKZ (XU9JAZ))	Perforated	Gasolina	FWD	1905	88	120	07.88-07.89		■
1.9 GTI (DKZ (XU9JAZ))		Gasolina	FWD	1905	88	120	07.89-12.93		■
1.9 GTI (D6B (XU9JA))	Perforated	Gasolina	FWD	1905	94	128	10.86-07.89		■
1.9 GTI (D6B (XU9JA))	Perforated	Gasolina	FWD	1905	96	131	10.85-08.89		■
1.9 GTI (D6B (XU9JA))		Gasolina	FWD	1905	96	131	09.89-10.93		■
1.9 GTI 16V (DFW (XU9J4Z))		Gasolina	FWD	1905	108	147	10.90-12.93		■
1.9 GTI 16V (D6C (XU9J4))		Gasolina	FWD	1905	116	158	08.89-07.90		■
1.8 D (161 (XUD7))	Perforated	Diesel	FWD	1769	43	58	10.91-10.93		■
1.9 D	Perforated	Diesel	FWD	1905	50	68	09.89-10.93		■
RENAULT									
CLIO (S57_) 01.91-09.98					Hatchback Van (LCVs-N1 Segment)				
1.1 (C1E 700)		Gasolina	FWD	1108	34	46	01.91-09.98		■
1.2 (E7F 706)		Gasolina	FWD	1171	40	54	01.91-09.98		■
1.2 (E5F 710)		Gasolina	FWD	1171	44	60	01.91-09.98		■
1.2 (E7F 750)		Gasolina	FWD	1171	44	60	01.91-09.98		■
1.2 (C3G 720)		Gasolina	FWD	1239	40	54	06.94-02.98		■
1.9 RND (F8Q 678)		Diesel	FWD	1870	40	54	04.96-02.98		■
1.9 D (F8Q 730)		Diesel	FWD	1870	48	65	01.91-09.98		■
1.9 D (F8Q 732)		Diesel	FWD	1870	48	65	01.91-09.98		■

LISTA DE APLICACIONES - BUYERS GUIDE

CLIO (B/C57_, 5/357_) 05.90-08.99					Hatchback (Supermini car-B Segment)			
1.1 (C1E 700)		Gasolina	FWD	1108	34	46	01.91-09.98	■
1.1 (C1E 700)		Gasolina	FWD	1108	36	49	04.92-08.92	■
1.2 (5/357Y, 5/357K) (D7F 730)		Gasolina	FWD	1149	40	54	01.96-09.98	■
1.2 (5/357Y, 5/357K) (D7F 730)		Gasolina	FWD	1149	43	58	01.96-09.98	■
1.2 (B/C57R, B575, B57A) (E7F 706)		Gasolina	FWD	1171	40	54	01.91-06.96	■
1.2 (B/C/S57A, B/C57S, 5/357F, 5/357J, 5/357L, 5/357R) (E7F 700)		Gasolina	FWD	1171	43	58	05.90-09.98	■
1.2 (B/C/S57A, B/C57S, 5/357F, 5/357J, 5/357L, 5/357R) (E7F 708)		Gasolina	FWD	1171	43	58	05.90-09.98	■
1.2 (B/C/S57A, B/C57S, 5/357F, 5/357J, 5/357L, 5/357R) (E7F 750)		Gasolina	FWD	1171	43	58	05.90-09.98	■
1.2 (B/C/S572) (E5F 710)		Gasolina	FWD	1171	44	60	05.90-03.96	■
1.2 (B/C/S577) (C3G 720)		Gasolina	FWD	1239	40	54	01.96-12.96	■
1.4 (B57J, C57J, B57P) (E6J 718)	01/92-	Gasolina	FWD	1390	55	75	01.91-09.98	■
1.4 (B57J, C57J, B57P) (E7J 756)	01/92-	Gasolina	FWD	1390	55	75	01.91-09.98	■
1.4 (B57J, C57J, B57P) (E7J 757)	01/92-	Gasolina	FWD	1390	55	75	01.91-09.98	■
1.4 (E6J 712)	01/92-	Gasolina	FWD	1390	57	78	05.90-02.98	■
1.4 (E6J 713)	01/92-	Gasolina	FWD	1390	57	78	05.90-02.98	■
1.4 (E6J 760)	01/92-	Gasolina	FWD	1390	57	78	05.90-02.98	■
1.4 (B/C57T, B/C57Y) (E7J 601)	01/92-	Gasolina	FWD	1390	58	79	01.91-09.98	■
1.4 (B/C57T, B/C57Y) (E7J 718)	01/92-	Gasolina	FWD	1390	58	79	01.91-09.98	■
1.4 (B/C57T, B/C57Y) (E7J 719)	01/92-	Gasolina	FWD	1390	58	79	01.91-09.98	■
1.4 (B/C57T, B/C57Y) (E7J 754)	01/92-	Gasolina	FWD	1390	58	79	01.91-09.98	■
1.4 (E7J 710)	01/92-	Gasolina	FWD	1390	59	80	01.91-09.98	■
1.4 (E7J 711)	01/92-	Gasolina	FWD	1390	59	80	01.91-09.98	■
1.7 (B/C574) (F2N 770)		Gasolina	FWD	1721	68	92	01.91-12.93	■
1.8 16V (C57D) (F7P 722)	-12/94	Gasolina	FWD	1764	99	135	01.91-03.96	■
1.8 (F3P 755)		Gasolina	FWD	1783	66	90	08.90-04.96	■
1.8 (B/C57C, B/C57U) (F3P 710)	01/94-	Gasolina	FWD	1794	65	88	01.91-09.98	■
1.8 (B/C57C, B/C57U) (F3P 714)	01/94-	Gasolina	FWD	1794	65	88	01.91-09.98	■
1.8 (B/C57C, C579, B/C57U) (F3P 754)		Gasolina	FWD	1794	66	90	08.94-04.96	■
1.8 (B/C57C, C579, B/C57U) (F3P 755)		Gasolina	FWD	1794	66	90	08.94-04.96	■
1.8 (F3P 710)	01/94-	Gasolina	FWD	1794	70	95	01.91-09.98	■
1.8 Rsi (B/C57H) (F3P 758)		Gasolina	FWD	1794	79	107	08.95-09.98	■
1.8 Rsi (B/C579) (F3P 712)		Gasolina	FWD	1794	80	109	01.93-08.95	■
Williams (B/C57M) (F7R 700)		Gasolina	FWD	1998	108	147	01.94-09.98	■
Williams (F7R 700)		Gasolina	FWD	1998	110	150	10.94-04.96	■
Electric (2DB 701)		Eléctrico	FWD		21	30	05.96-02.98	■
1.9 D (F8Q 678)		Diesel	FWD	1870	40	54	01.97-09.98	■
1.9 D (B/C/S576, B/C/S57L) (F8Q 730)	01/94-	Diesel	FWD	1870	47	64	01.91-09.98	■
1.9 D (B/C/S576, B/C/S57L) (F8Q 732)	01/94-	Diesel	FWD	1870	47	64	01.91-09.98	■
1.9 D (F8Q 632)		Diesel	FWD	1870	48	65	05.96-02.98	■
1.9 D (F8Q 676)		Diesel	FWD	1870	48	65	05.96-02.98	■
1.9 D (F8Q 696)		Diesel	FWD	1870	48	65	05.96-02.98	■
1.9 D (F8Q 714)		Diesel	FWD	1870	48	65	05.96-02.98	■
CLIO II (SB0/1/2_) 09.98-					Hatchback Van (LCVs-N1 Segment)			
1.2 (SB0A, SB0F, SB1K, SB2D) (D7F 720)	-12/05	Gasolina	FWD	1149	43	58	09.98-	■
1.2 (SB0A, SB0F, SB1K, SB2D) (D7F 726)	-12/05	Gasolina	FWD	1149	43	58	09.98-	■
1.2 (SB0A, SB0F, SB1K, SB2D) (D7F 746)	-12/05	Gasolina	FWD	1149	43	58	09.98-	■
1.2 (SB0A, SB0F, SB10) (D7F 722)		Gasolina	FWD	1149	44	60	03.99-10.03	■
1.2 (SB0A, SB0F, SB10) (D7F 726)		Gasolina	FWD	1149	44	60	03.99-10.03	■

LISTA DE APLICACIONES - BUYERS GUIDE

1.2 (SB0A, SB0F, SB10) (D7F 746)		Gasolina	FWD	1149	44	60	03.99-10.03	■
1.6 (SB0H) (K4M 746)	-12/05	Gasolina	FWD	1598	79	107	11.03-	■
1.5 dCi (SB07) (K9K 700)	-12/05	Diesel	FWD	1461	48	65	06.01-	■
1.5 dCi (SB07) (K9K 704)	-12/05	Diesel	FWD	1461	48	65	06.01-	■
1.5 dCi (K9K 714)		Diesel	FWD	1461	50	68	04.04-	■
1.5 dCi (K9K 702)		Diesel	FWD	1461	59	80	06.01-10.04	■
1.5 dCi (K9K 702)	-12/05	Diesel	FWD	1461	60	82	11.03-	■
1.5 dCi (K9K 710)	-12/05	Diesel	FWD	1461	60	82	11.03-	■
1.5 dCi (K9K 716)	-12/05	Diesel	FWD	1461	60	82	11.03-	■
1.9 D (SB0R) (F8Q 662)		Diesel	FWD	1870	40	54	03.99-01.00	■
1.9 D (SB0E) (F8Q 630)	-12/05	Diesel	FWD	1870	47	64	09.98-	■
1.9 D (SB0J) (F8Q 632)		Diesel	FWD	1870	48	65	02.00-05.01	■
1.9 DTi (SB0U) (F9Q 780)		Diesel	FWD	1870	59	80	02.00-05.01	■
							Hatchback (Supermini car-B Segment)	
CLIO II (BB_, CB_) 03.98-								
1.0 (D7D 760)		Gasolina	FWD	999	40	54	02.00-05.01	■
1.0 RL/RN (D7D 760)		Gasolina	FWD	999	43	58	09.99-12.06	■
1.0		Gasolina	FWD	999	52	71	06.01-04.05	■
1.0 Flex		Gasolina	FWD	999	57	76	11.05-	■
1.2 (BB0A, BB0F, BB10, BB1K, BB28, BB2D, BB2H, CB0A,...) (D7F 710)	-12/01	Gasolina	FWD	1149	43	58	09.98-02.10	■
1.2 (BB0A, BB0F, BB10, BB1K, BB28, BB2D, BB2H, CB0A,...) (D7F 720)	-12/01	Gasolina	FWD	1149	43	58	09.98-02.10	■
1.2 (BB0A, BB0F, BB10, BB1K, BB28, BB2D, BB2H, CB0A,...) (D7F 722)	-12/01	Gasolina	FWD	1149	43	58	09.98-02.10	■
1.2 (BB0A, BB0F, BB10, BB1K, BB28, BB2D, BB2H, CB0A,...) (D7F 726)	-12/01	Gasolina	FWD	1149	43	58	09.98-02.10	■
1.2 (BB0A, BB0F, BB10, BB1K, BB28, BB2D, BB2H, CB0A,...) (D7F 746)	-12/01	Gasolina	FWD	1149	43	58	09.98-02.10	■
1.2 (BB0A, BB0F, BB10, BB1K, BB28, BB2D, BB2H, CB0A,...) (D7F 764)	-12/01	Gasolina	FWD	1149	43	58	09.98-02.10	■
1.2 (BB0A, BB0F, BB10, BB1K, BB28, BB2D, BB2H, CB0A,...) (D7F 766)	-12/01	Gasolina	FWD	1149	43	58	09.98-02.10	■
1.2 16V (BB05, BB0W, BB11, BB27, BB2T, BB2U, BB2V, CB05,...) (D4F 706)	-12/05	Gasolina	FWD	1149	55	75	06.01-08.16	■
1.2 16V (BB05, BB0W, BB11, BB27, BB2T, BB2U, BB2V, CB05,...) (D4F 712)	-12/05	Gasolina	FWD	1149	55	75	06.01-08.16	■
1.2 16V (BB05, BB0W, BB11, BB27, BB2T, BB2U, BB2V, CB05,...) (D4F 714)	-12/05	Gasolina	FWD	1149	55	75	06.01-08.16	■
1.2 16V (BB05, BB0W, BB11, BB27, BB2T, BB2U, BB2V, CB05,...) (D4F 722)	-12/05	Gasolina	FWD	1149	55	75	06.01-08.16	■
1.2 16V (BB05, BB0W, BB11, BB27, BB2T, BB2U, BB2V, CB05,...) (D4F 728)	-12/05	Gasolina	FWD	1149	55	75	06.01-08.16	■
1.4 (B/CB0C, B/CB0S) (E7J 634)	-12/01	Gasolina	FWD	1390	55	75	09.98-05.05	■
1.4 (B/CB0C, B/CB0S) (E7J 635)	-12/01	Gasolina	FWD	1390	55	75	09.98-05.05	■
1.4 (B/CB0C, B/CB0S) (E7J 780)	-12/01	Gasolina	FWD	1390	55	75	09.98-05.05	■
1.4 (B/CB0C, B/CB0S) (K7J 700)	-12/01	Gasolina	FWD	1390	55	75	09.98-05.05	■
1.4 16V (B/CB0L) (K4J 712)		Gasolina	FWD	1390	70	95	10.99-09.04	■
1.4 16V (B/CB0L) (K4J 713)		Gasolina	FWD	1390	70	95	10.99-09.04	■
1.4 16V (B/CB0P, BB13) (K4J 710)	01/01-	Gasolina	FWD	1390	72	98	02.00-07.08	■
1.4 16V (B/CB0P, BB13) (K4J 711)	01/01-	Gasolina	FWD	1390	72	98	02.00-07.08	■
1.4 16V (B/CB0P, BB13) (K4J 712)	01/01-	Gasolina	FWD	1390	72	98	02.00-07.08	■
1.4 16V (B/CB0P, BB13) (K4J 713)	01/01-	Gasolina	FWD	1390	72	98	02.00-07.08	■
1.4 16V (B/CB0P, BB13) (K4J 715)	01/01-	Gasolina	FWD	1390	72	98	02.00-07.08	■
1.6 (B/CB0D, BB00) (K7M 744)		Gasolina	FWD	1598	66	90	09.98-05.05	■
1.6 (B/CB0D, BB00) (K7M 745)		Gasolina	FWD	1598	66	90	09.98-05.05	■
1.6 (B/CB0D, BB00) (K7M 746)		Gasolina	FWD	1598	66	90	09.98-05.05	■
1.6 (K7M 746)		Gasolina	FWD	1598	73	100	06.99-04.03	■

LISTA DE APLICACIONES - BUYERS GUIDE

1.6 16V (BB01, BB0H, BB0T, BB14, BB1D, BB1R, BB2KL, BB3G... (K4M 708)		Gasolina	FWD	1598	79	107	09.98-04.05	■
1.6 16V (BB01, BB0H, BB0T, BB14, BB1D, BB1R, BB2KL, BB3G... (K4M 740)		Gasolina	FWD	1598	79	107	09.98-04.05	■
1.6 16V (BB01, BB0H, BB0T, BB14, BB1D, BB1R, BB2KL, BB3G... (K4M 742)		Gasolina	FWD	1598	79	107	09.98-04.05	■
1.6 16V (BB01, BB0H, BB0T, BB14, BB1D, BB1R, BB2KL, BB3G... (K4M 743)		Gasolina	FWD	1598	79	107	09.98-04.05	■
1.6 16V (BB01, BB0H, BB0T, BB14, BB1D, BB1R, BB2KL, BB3G... (K4M 744)		Gasolina	FWD	1598	79	107	09.98-04.05	■
1.6 16V (BB01, BB0H, BB0T, BB14, BB1D, BB1R, BB2KL, BB3G... (K4M 745)		Gasolina	FWD	1598	79	107	09.98-04.05	■
1.6 16V (BB01, BB0H, BB0T, BB14, BB1D, BB1R, BB2KL, BB3G... (K4M 748)		Gasolina	FWD	1598	79	107	09.98-04.05	■
1.6 (BB01, BB1J) (K4M 740)		Gasolina	FWD	1598	81	110	06.99-02.09	■
1.6 (BB01, BB1J) (K4M 748)		Gasolina	FWD	1598	81	110	06.99-02.09	■
1.6 16V		Gasolina	FWD	1598	82	112	03.99-12.08	■
3.0 V6 Sport (CB1A) (L7X 760)		Gasolina	RWD	2946	166	226	11.00-12.02	■
1.2 LPG (D7F 764)		Gasol./Gas (LPG)	FWD	1149	43	58	09.98-06.09	■
1.2 LPG (D7F 766)		Gasol./Gas (LPG)	FWD	1149	43	58	09.98-06.09	■
1.2 LPG (BB0A, CB0A) (D7F 722)		Gasol./Gas (LPG)	FWD	1149	44	60	03.99-05.01	■
1.6 Flex (K4M 740)		Gasol./Etanol	FWD	1598	81	110	05.00-12.06	■
1.6 Flex (K4M 748)		Gasol./Etanol	FWD	1598	81	110	05.00-12.06	■
1.6 Authentique Hi-Flex (LB26, LB3E) (K4M 748)		Gasol./Etanol	FWD	1598	85	115	11.04-02.09	■
1.6 Hi-Flex (CB0H) (K4M 748)		Gasol./Etanol	FWD	1598	86	117	01.05-02.10	■
1.5 dCi (K9K 704)		Diesel	FWD	1461	42	57	06.01-12.06	■
1.5 dCi (B/CB3M) (K9K 740)		Diesel	FWD	1461	47	64	06.05-12.10	■
1.5 dCi (B/CB07) (K9K 700)	-12/05	Diesel	FWD	1461	48	65	06.01-07.09	■
1.5 dCi (B/CB07) (K9K 704)	-12/05	Diesel	FWD	1461	48	65	06.01-07.09	■
1.5 dCi (B/C2J) (K9K 700)		Diesel	FWD	1461	50	68	08.04-12.12	■
1.5 dCi (B/C2J) (K9K 714)		Diesel	FWD	1461	50	68	08.04-12.12	■
1.5 dCi (B/CB03) (K9K 702)		Diesel	FWD	1461	59	80	06.01-10.03	■
1.5 dCi (B/CB08) (K9K 702)		Diesel	FWD	1461	60	82	06.01-04.05	■
1.5 dCi (BB3N, CB3N) (K9K 718)		Diesel	FWD	1461	62	84	02.07-06.09	■
1.5 dCi (K9K 712)		Diesel	FWD	1461	74	100	10.03-04.05	■
1.9 D (B/CB0E, BB0J) (F8Q 630)	01/01-	Diesel	FWD	1870	47	64	09.98-05.05	■
1.9 D (B/CB0J) (F8Q 630)		Diesel	FWD	1870	48	65	02.00-05.01	■
1.9 D (B/CB0J) (F8Q 632)		Diesel	FWD	1870	48	65	02.00-05.01	■
1.9 dTi (B/CB0U) (F9Q 780)		Diesel	FWD	1870	59	80	12.99-05.05	■
1.9 dTi (B/CB0U) (F9Q 782)		Diesel	FWD	1870	59	80	12.99-05.05	■
CLIO II / EURO CLIO (BR0/1, CR0/1) 01.05-							Hatchback (Supermini car-B Segment)	
1.5 dCi (K9K 752)	-12/06	Diesel	FWD	1461	48	65	05.05-11.10	■
SPACE (J11_) 07.84-12.92							MPV (Large MPV-M1 Segment)	
2.0 (J/S112) (J6R 734)		Gasolina	FWD	1995	74	101	01.88-12.90	■
2.0 (J/S112) (J6R 234)		Gasolina	FWD	1995	80	109	07.84-12.90	■
2.0 (J/S112) (J6R 236)		Gasolina	FWD	1995	80	109	07.84-12.90	■
2.0 i (J116) (J7R 760)		Gasolina	FWD	1995	87	118	01.89-12.90	■
2.0 i Quadra (J116) (J7R 760)		Gasolina	4WD	1995	87	118	03.88-12.92	■
2.2 (J117) (J7T 770)		Gasolina	FWD	2165	79	108	07.86-12.90	■
2.2 Quadra (J117) (J7T 770)		Gasolina	4WD	2165	79	108	01.88-12.90	■
2.2 Quadra (J7T 770)		Gasolina	4WD	2165	81	110	06.87-12.87	■

LISTA DE APLICACIONES - BUYERS GUIDE

2.1 TD (J/S115) (J8S 240)		Diesel	FWD	2068	65	88	10.84-12.90	■	
2.1 TD (J/S115) (J8S 774)		Diesel	FWD	2068	65	88	10.84-12.90	■	
2.1 TD (J/S115) (J8S 776)		Diesel	FWD	2068	65	88	10.84-12.90	■	
EXPRESS 07.95-03.98					Box Body/MPV (LCVs-N1 Segment)				
1.9 D		Diesel	FWD	1870	47	64	07.95-03.98	■	
EXPRESS 07.95-10.99					Pickup (LCVs-N1 Segment)				
1.9 D (F8Q 640)		Diesel	FWD	1870	40	54	07.95-10.97	■	
1.9 D (F8Q 724)		Diesel	FWD	1870	47	64	07.95-10.99	■	
1.9 D (F8Q 776)		Diesel	FWD	1870	47	64	07.95-10.99	■	
FUEGO (136_) 02.80-11.92					Coupe (Sports car-S Segment)				
1.4 TL/GTL (847 720)		Gasolina	FWD	1397	47	64	02.80-10.85	■	
1.6 Turbo (1365) (A5L 750)		Gasolina	FWD	1565	97	132	08.83-10.85	■	
1.6 TS/GTS (1362) (843 723)		Gasolina	FWD	1647	71	97	10.80-10.85	■	
1.6 TS/GTS (1362) (843 724)		Gasolina	FWD	1647	71	97	10.80-10.85	■	
1.6 TS/GTS (1362) (A6M 725)		Gasolina	FWD	1647	71	97	10.80-10.85	■	
1.6 TS/GTS (1362) (A6M 726)		Gasolina	FWD	1647	71	97	10.80-10.85	■	
2.0 TX/GTX (JGR 714)		Gasolina	FWD	1995	75	102	02.81-11.86	■	
2.0 TX/GTX (1363) (829 710)		Gasolina	FWD	1995	81	110	10.80-10.85	■	
2.0 TX/GTX (1363) (J6R 710)		Gasolina	FWD	1995	81	110	10.80-10.85	■	
2.0 TX/GTX (1363) (J6R 712)		Gasolina	FWD	1995	81	110	10.80-10.85	■	
2.0 TX/GTX (1363) (J6R 713)		Gasolina	FWD	1995	81	110	10.80-10.85	■	
2.0 TX/GTX (1363) (J6R 715)		Gasolina	FWD	1995	81	110	10.80-10.85	■	
2.0 TX/GTX (1363) (J6R 726)		Gasolina	FWD	1995	81	110	10.80-10.85	■	
LOGAN II /STEPWAY II / TONDAR (L8_) 09.12-					Saloon (Compact car-C Segment)				
1.0 Authentique Hi-Flex (L8A0) (D4D 754)	discØ 238, discØ 259	Gasol./Etanol	FWD	999	59	80	10.13-	■	
1.6 Dynamique, Easy`R, Expression Flex 8V (L8A6) (K7M 764)	discØ 238, discØ 259	Gasol./Etanol	FWD	1598	78	106	09.12-12.15	■	
LOGAN / TONDAR 90 (KS_) 04.07-					Estate (Compact car-C Segment)				
1.4 (K7J 710)		Gasolina	FWD	1390	55	75	10.07-	■	
1.6 (K7M 710)		Gasolina	FWD	1598	64	87	04.07-	■	
1.6 (KS0L, KS0M, KS0P, KS1S) (K4M 690)		Gasolina	FWD	1598	77	105	04.07-	■	
1.6 (KS0L, KS0M, KS0P, KS1S) (K4M 696)		Gasolina	FWD	1598	77	105	04.07-	■	
1.6 (KS0L, KS0M, KS0P, KS1S) (K4M 697)		Gasolina	FWD	1598	77	105	04.07-	■	
1.5 dCi (K9K 792)		Diesel	FWD	1461	50	68	04.07-	■	
1.5 dCi (K9K 796)	discØ 259, vehicles without ABS	Diesel	FWD	1461	63	86	02.08-06.15	■	
1.5 dCi (KS04, KS1L)	vehicles without ABS	Diesel	FWD	1461	66	90	06.11-06.15	■	
LOGAN / TONDAR 90 (LS_) 09.04-					Saloon (Compact car-C Segment)				
1.0 Hi-Flex	discØ 238, discØ 259	Gasolina	FWD	998	56	76	07.07-	■	
1.4 (K7J 710)	discØ 238, discØ 259	Gasolina	FWD	1390	55	75	09.04-	■	
1.6 (K7M 710)	discØ 238, discØ 259	Gasolina	FWD	1598	64	87	09.04-	■	
1.6	discØ 238, discØ 259	Gasolina	FWD	1598	66	90	05.08-	■	
1.6 Flex	discØ 238, discØ 259	Gasolina	FWD	1598	70	95	11.07-08.12	■	
1.6 (LS0L, LS09, LS0V, LS0P, LS18, LS1S, LS1V, LS1Y,... (K4M 690)	discØ 238, discØ 259	Gasolina	FWD	1598	77	105	04.07-10.13	■	
1.6 (LS0L, LS09, LS0V, LS0P, LS18, LS1S, LS1V, LS1Y,... (K4M 694)	discØ 238, discØ 259	Gasolina	FWD	1598	77	105	04.07-10.13	■	
1.6 (LS0L, LS09, LS0V, LS0P, LS18, LS1S, LS1V, LS1Y,... (K4M 696)	discØ 238, discØ 259	Gasolina	FWD	1598	77	105	04.07-10.13	■	
1.6 (LS0L, LS09, LS0V, LS0P, LS18, LS1S, LS1V, LS1Y,... (K4M 697)	discØ 238, discØ 259	Gasolina	FWD	1598	77	105	04.07-10.13	■	
1.6 (LS0L, LS09, LS0V, LS0P, LS18, LS1S, LS1V, LS1Y,... (K4M 698)	discØ 238, discØ 259	Gasolina	FWD	1598	77	105	04.07-10.13	■	

LISTA DE APLICACIONES - BUYERS GUIDE

1.6	discØ 238, discØ 259	Gasolina	FWD	1598	80	109	02.07-	■	
1.6	discØ 238, discØ 259	Gasolina	FWD	1598	82	112	04.07-	■	
1.6 Flex	discØ 238, discØ 259	Gasolina	FWD	1598	82	112	07.07-	■	
1.4 LPG (K7J 714)	discØ 238, discØ 259	Gasol./Gas (LPG)	FWD	1390	53	72	02.08-10.13	■	
1.5 dCi (K9K 700)	discØ 238, discØ 259	Diesel	FWD	1461	48	65	04.06-10.13	■	
1.5 dCi (K9K 790)	discØ 238, discØ 259	Diesel	FWD	1461	48	65	04.06-10.13	■	
1.5 dCi (K9K 794)	discØ 238, discØ 259	Diesel	FWD	1461	48	65	04.06-10.13	■	
1.5 dCi (K9K 792)	discØ 238, discØ 259	Diesel	FWD	1461	50	68	04.07-	■	
1.5 dCi (K9K 796)	discØ 238, discØ 259	Diesel	FWD	1461	63	86	02.08-06.15	■	
MEGANE (EA0/1_) 10.96-08.03							Convertible (Compact car-C Segment)		
1.4 16V (EA0D, EA1H, EA0W, EA10) (K4J 714)	-12/02	Gasolina	FWD	1390	70	95	03.99-08.03	■	
1.4 16V (EA0D, EA1H, EA0W, EA10) (K4J 750)	-12/02	Gasolina	FWD	1390	70	95	03.99-08.03	■	
1.6 e (EA0F) (K7M 702)		Gasolina	FWD	1598	66	90	10.96-03.99	■	
1.6 e (EA0F) (K7M 703)		Gasolina	FWD	1598	66	90	10.96-03.99	■	
1.6 16V (EA04, EA0B, EA11, EA1J) (K4M 700)		Gasolina	FWD	1598	79	107	03.99-07.03	■	
1.6 16V (EA04, EA0B, EA11, EA1J) (K4M 701)		Gasolina	FWD	1598	79	107	03.99-07.03	■	
1.6 16V (EA04, EA0B, EA11, EA1J) (K4M 708)		Gasolina	FWD	1598	79	107	03.99-07.03	■	
1.6 16V (EA04, EA0B, EA11, EA1J) (K4M 709)		Gasolina	FWD	1598	79	107	03.99-07.03	■	
2.0 i (EA0G) (F3R 791)	-12/02	Gasolina	FWD	1998	80	109	03.99-08.03	■	
2.0 i (EA0G) (F3R 796)	-12/02	Gasolina	FWD	1998	80	109	03.99-08.03	■	
2.0 (EA0G) (F3R 750)	-12/02	Gasolina	FWD	1998	84	114	04.97-08.03	■	
2.0 (EA0G) (F3R 798)	-12/02	Gasolina	FWD	1998	84	114	04.97-08.03	■	
2.0 16V (EA0H) (F7R 710)		Gasolina	FWD	1998	108	147	10.96-11.99	■	
2.0 16V (EA0H) (F7R 714)		Gasolina	FWD	1998	108	147	10.96-11.99	■	
MEGANE (BA0/1_) 08.95-12.04							Hatchback (Compact car-C Segment)		
1.4 Eco (BA0T) (E7J 624)		Gasolina	FWD	1390	52	71	01.96-03.99	■	
1.4 e (BA0E, BA0V) (E7J 626)	-12/02, Type BA0E	Gasolina	FWD	1390	55	75	01.96-08.03	■	
1.4 e (BA0E, BA0V) (E7J 764)	-12/02, Type BA0E	Gasolina	FWD	1390	55	75	01.96-08.03	■	
1.4 16V (BA0D, BA1H, BA0W, BA10) (K4J 714)	-12/02	Gasolina	FWD	1390	70	95	03.99-08.03	■	
1.4 16V (BA0D, BA1H, BA0W, BA10) (K4J 750)	-12/02	Gasolina	FWD	1390	70	95	03.99-08.03	■	
1.6 i (BA0L) (K7M 720)	Type BA0L	Gasolina	FWD	1598	55	75	01.96-03.99	■	
1.6 e (BA0F, BA0S) (K7M 702)		Gasolina	FWD	1598	66	90	01.96-03.99	■	
1.6 e (BA0F, BA0S) (K7M 703)		Gasolina	FWD	1598	66	90	01.96-03.99	■	
1.6 e (BA0F, BA0S) (K7M 790)		Gasolina	FWD	1598	66	90	01.96-03.99	■	
1.6 16V (BA04, BA0B, BA11, BA1J, BA16, BA19, BA1K, BA1V,...) (K4M 700)	heavy duty chassis, Type BA04	Gasolina	FWD	1598	79	107	03.99-08.02	■	
1.6 16V (BA04, BA0B, BA11, BA1J, BA16, BA19, BA1K, BA1V,...) (K4M 701)	heavy duty chassis, Type BA04	Gasolina	FWD	1598	79	107	03.99-08.02	■	
1.6 16V (BA04, BA0B, BA11, BA1J, BA16, BA19, BA1K, BA1V,...) (K4M 706)	heavy duty chassis, Type BA04	Gasolina	FWD	1598	79	107	03.99-08.02	■	
1.6 16V (BA04, BA0B, BA11, BA1J, BA16, BA19, BA1K, BA1V,...) (K4M 708)	heavy duty chassis, Type BA04	Gasolina	FWD	1598	79	107	03.99-08.02	■	
1.6 16V (BA04, BA0B, BA11, BA1J, BA16, BA19, BA1K, BA1V,...) (K4M 709)	heavy duty chassis, Type BA04	Gasolina	FWD	1598	79	107	03.99-08.02	■	
1.6 16V	heavy duty chassis	Gasolina	FWD	1598	81	110	11.01-12.08	■	
1.8 16V (BA06, BA12, BA1A, BA1M, BA1R) (F4P 720)	-12/02	Gasolina	FWD	1783	85	115	01.01-08.03	■	
1.8 16V (BA06, BA12, BA1A, BA1M, BA1R) (F4P 722)	-12/02	Gasolina	FWD	1783	85	115	01.01-08.03	■	
2.0 i (F3R 750)	-12/02	Gasolina	FWD	1998	80	109	03.99-08.03	■	
2.0 i (F3R 751)	-12/02	Gasolina	FWD	1998	80	109	03.99-08.03	■	
2.0 i (BA0G) (F3R 750)	-12/02	Gasolina	FWD	1998	84	114	01.96-08.03	■	
2.0 i (BA0G) (F3R 751)	-12/02	Gasolina	FWD	1998	84	114	01.96-08.03	■	
2.0 (F3R 750)		Gasolina	FWD	1998	85	115	05.98-05.01	■	

LISTA DE APLICACIONES - BUYERS GUIDE

2.0 (F3R 751)		Gasolina	FWD	1998	85	115	05.98-05.01	■	
2.0 (F3R 791)		Gasolina	FWD	1998	85	115	05.98-05.01	■	
2.0 (F3R 796)		Gasolina	FWD	1998	85	115	05.98-05.01	■	
2.0 (F3R 797)		Gasolina	FWD	1998	85	115	05.98-05.01	■	
2.0 (F3R 798)		Gasolina	FWD	1998	85	115	05.98-05.01	■	
2.0 16V (BA0H) (F7R 710)	-12/02	Gasolina	FWD	1998	108	147	07.96-08.03	■	
2.0 16V (BA0H) (F7R 714)	-12/02	Gasolina	FWD	1998	108	147	07.96-08.03	■	
1.6 LPG (K7M 702)		Gasol./Gas (LPG)	FWD	1598	66	90	08.95-03.99	■	
1.6 LPG (K4M 704)		Gasol./Gas (LPG)	FWD	1598	80	109	10.00-08.02	■	
1.6 LPG (K4M 712)		Gasol./Gas (LPG)	FWD	1598	80	109	10.00-08.02	■	
1.9 D Eco (BA0A, BA0U, BA0R) (F8Q 620)	-12/02	Diesel	FWD	1870	47	64	01.96-08.03	■	
1.9 D Eco (BA0A, BA0U, BA0R) (F8Q 622)	-12/02	Diesel	FWD	1870	47	64	01.96-08.03	■	
1.9 D Eco (BA0A, BA0U, BA0R) (F8Q 624)	-12/02	Diesel	FWD	1870	47	64	01.96-08.03	■	
1.9 dTi (BA1U) (F9Q 744)	-12/02	Diesel	FWD	1870	59	80	02.01-08.03	■	
1.9 DTi (F9Q 730)		Diesel	FWD	1870	60	82	02.00-09.00	■	
1.9 dT (B/SA0K, B/SA0Y) (F8Q 784)		Diesel	FWD	1870	66	90	01.96-08.03	■	
1.9 dT (B/SA0K, B/SA0Y) (F8Q 786)		Diesel	FWD	1870	66	90	01.96-08.03	■	
1.9 D (F8Q 784)		Diesel	FWD	1870	69	94	04.96-02.01	■	
1.9 TDi (F8Q 784)	-12/02	Diesel	FWD	1870	69	94	09.96-08.03	■	
1.9 dTi (BA08, BA0N) (F9Q 730)		Diesel	FWD	1870	72	98	03.97-02.01	■	
1.9 dTi (BA08, BA0N) (F9Q 731)		Diesel	FWD	1870	72	98	03.97-02.01	■	
1.9 dTi (BA08, BA0N) (F9Q 734)		Diesel	FWD	1870	72	98	03.97-02.01	■	
1.9 dTi (BA08, BA0N) (F9Q 736)		Diesel	FWD	1870	72	98	03.97-02.01	■	
1.9 dCi (BA05, BA1F) (F9Q 732)	-12/02	Diesel	FWD	1870	75	102	02.01-08.03	■	
1.9 dCi (BA05, BA1F) (F9Q 733)	-12/02	Diesel	FWD	1870	75	102	02.01-08.03	■	
1.9 DT (F8Q 784)		Diesel	FWD	1870	76	104	08.98-10.99	■	
1.9 dCi (F9Q 732)		Diesel	FWD	1870	77	105	03.99-08.03	■	
1.9 dCi (F9Q 738)		Diesel	FWD	1870	77	105	03.99-08.03	■	
MEGANE Grandtour (KA0/1_) 03.99-08.03							Estate (Compact car-C Segment)		
1.4 e (KA0V) (E7J 626)	-12/02	Gasolina	FWD	1390	55	75	03.99-08.03	■	
1.4 16V (KA0D, KA1H, KA0W, KA10) (K4J 714)	-12/02	Gasolina	FWD	1390	70	95	03.99-08.03	■	
1.4 16V (KA0D, KA1H, KA0W, KA10) (K4J 750)	-12/02	Gasolina	FWD	1390	70	95	03.99-08.03	■	
1.6 e (KA0F) (K7M 702)	-12/02	Gasolina	FWD	1598	66	90	03.99-08.03	■	
1.6 e (KA0F) (K7M 703)	-12/02	Gasolina	FWD	1598	66	90	03.99-08.03	■	
1.6 BiFuel		Gasolina	FWD	1598	79	107	04.01-07.03	■	
1.8 16V (KA0S, KA12, KA1A, KA1M, KA1R) (F4P 720)	-12/02	Gasolina	FWD	1783	85	115	01.01-08.03	■	
1.8 16V (KA0S, KA12, KA1A, KA1M, KA1R) (F4P 722)	-12/02	Gasolina	FWD	1783	85	115	01.01-08.03	■	
1.9 D (KA0J, KA0R) (F8Q 622)	-12/02	Diesel	FWD	1870	47	64	04.99-08.03	■	
1.9 D (KA0J, KA0R) (F8Q 790)	-12/02	Diesel	FWD	1870	47	64	04.99-08.03	■	
1.9 dTi (KA1U) (F9Q 744)	-12/02, Type KA01	Diesel	FWD	1870	59	80	02.01-08.03	■	
1.9 dTi (KA0N) (F9Q 731)		Diesel	FWD	1870	72	98	03.99-02.01	■	
1.9 dTi (KA0N) (F9Q 736)		Diesel	FWD	1870	72	98	03.99-02.01	■	
1.9 dCi (KA05, KA1F) (F9Q 732)	-12/02	Diesel	FWD	1870	75	102	02.01-08.03	■	
1.9 dCi (KA05, KA1F) (F9Q 733)	-12/02	Diesel	FWD	1870	75	102	02.01-08.03	■	
1.9 dCi (KA05, KA1F) (F9Q 738)	-12/02	Diesel	FWD	1870	75	102	02.01-08.03	■	
1.9 dCi (F9Q 732)		Diesel	FWD	1870	77	105	03.99-09.00	■	
MEGANE Classic (LA0/1_) 09.96-08.08							Saloon (Compact car-C Segment)		
1.4 (LA0E, LA0V) (E7J 626)	-12/02	Gasolina	FWD	1390	55	75	09.96-08.03	■	

LISTA DE APLICACIONES - BUYERS GUIDE

1.4 (LA0E, LA0V) (E7J 764)	-12/02	Gasolina	FWD	1390	55	75	09.96-08.03	■
1.4 16V (LA0D, LA1H, IA0W, LA10) (K4J 714)	-12/02	Gasolina	FWD	1390	70	95	03.99-08.03	■
1.4 16V (LA0D, LA1H, IA0W, LA10) (K4J 750)	-12/02	Gasolina	FWD	1390	70	95	03.99-08.03	■
1.6 i (LA0L) (K7M 720)		Gasolina	FWD	1598	55	75	09.96-03.99	■
1.6 (K7M 704)		Gasolina	FWD	1598	64	87	02.00-09.00	■
1.6 e (LA0F, LA0S) (K7M 702)		Gasolina	FWD	1598	66	90	09.96-03.99	■
1.6 e (LA0F, LA0S) (K7M 703)		Gasolina	FWD	1598	66	90	09.96-03.99	■
1.6 e (LA0F, LA0S) (K7M 790)		Gasolina	FWD	1598	66	90	09.96-03.99	■
1.6 16V (K4M 706)		Gasolina	FWD	1598	73	99	01.99-08.08	■
1.6 16V (LA00, LA04, LA0B, LA11, LA16, LA19, LA1J, LA1K,...) (K4M 700)	Type LA00,LA16,LA1K,LA1V	Gasolina	FWD	1598	79	107	03.99-07.03	■
1.6 16V (LA00, LA04, LA0B, LA11, LA16, LA19, LA1J, LA1K,...) (K4M 701)	Type LA00,LA16,LA1K,LA1V	Gasolina	FWD	1598	79	107	03.99-07.03	■
1.6 16V (LA00, LA04, LA0B, LA11, LA16, LA19, LA1J, LA1K,...) (K4M 706)	Type LA00,LA16,LA1K,LA1V	Gasolina	FWD	1598	79	107	03.99-07.03	■
1.6 16V (LA00, LA04, LA0B, LA11, LA16, LA19, LA1J, LA1K,...) (K4M 708)	Type LA00,LA16,LA1K,LA1V	Gasolina	FWD	1598	79	107	03.99-07.03	■
1.6 16V (LA00, LA04, LA0B, LA11, LA16, LA19, LA1J, LA1K,...) (K4M 709)	Type LA00,LA16,LA1K,LA1V	Gasolina	FWD	1598	79	107	03.99-07.03	■
1.6 16V		Gasolina	FWD	1598	81	110	09.99-12.01	■
1.8 16V (LA06, LA12, LA1A, LA1M, LA1R) (F4P 720)	-12/02	Gasolina	FWD	1783	85	115	01.01-08.03	■
1.8 16V (LA06, LA12, LA1A, LA1M, LA1R) (F4P 722)	-12/02	Gasolina	FWD	1783	85	115	01.01-08.03	■
2.0 i (LA0G) (F3R 750)	-12/02	Gasolina	FWD	1998	80	109	03.99-08.03	■
2.0 i (LA0G) (F3R 751)	-12/02	Gasolina	FWD	1998	80	109	03.99-08.03	■
2.0 i (LA0G) (F3R 752)	-12/02	Gasolina	FWD	1998	80	109	03.99-08.03	■
2.0 i (LA0G) (F3R 791)	-12/02	Gasolina	FWD	1998	80	109	03.99-08.03	■
2.0 i (LA0G) (F3R 796)	-12/02	Gasolina	FWD	1998	80	109	03.99-08.03	■
2.0 i (LA0G) (F3R 797)	-12/02	Gasolina	FWD	1998	80	109	03.99-08.03	■
2.0 i (LA0G) (F3R 798)	-12/02	Gasolina	FWD	1998	80	109	03.99-08.03	■
2.0 i (LA07, LA0G) (F3R 750)	-12/02	Gasolina	FWD	1998	84	114	09.96-08.03	■
2.0 i (LA07, LA0G) (F3R 751)	-12/02	Gasolina	FWD	1998	84	114	09.96-08.03	■
2.0 i (LA07, LA0G) (F3R 752)	-12/02	Gasolina	FWD	1998	84	114	09.96-08.03	■
2.0 i (LA07, LA0G) (F3R 791)	-12/02	Gasolina	FWD	1998	84	114	09.96-08.03	■
2.0 i (LA07, LA0G) (F3R 796)	-12/02	Gasolina	FWD	1998	84	114	09.96-08.03	■
2.0 i (LA07, LA0G) (F3R 797)	-12/02	Gasolina	FWD	1998	84	114	09.96-08.03	■
2.0 i (LA07, LA0G) (F3R 798)	-12/02	Gasolina	FWD	1998	84	114	09.96-08.03	■
2.0 (F3R 750)		Gasolina	FWD	1998	85	115	05.98-05.01	■
2.0 (F3R 752)		Gasolina	FWD	1998	85	115	05.98-05.01	■
2.0 (F3R 791)		Gasolina	FWD	1998	85	115	05.98-05.01	■
2.0 (F3R 796)		Gasolina	FWD	1998	85	115	05.98-05.01	■
2.0 (F3R 797)		Gasolina	FWD	1998	85	115	05.98-05.01	■
2.0 (F3R 798)		Gasolina	FWD	1998	85	115	05.98-05.01	■
2.0 RT (LA0G, LA07)	Type LA07,LA0G	Gasolina	FWD	1998	112	152	10.96-02.99	■
1.9 D (LA0A, LA0U, LA0R) (F8Q 620)	-12/02	Diesel	FWD	1870	47	64	09.96-08.03	■
1.9 D (LA0A, LA0U, LA0R) (F8Q 622)	-12/02	Diesel	FWD	1870	47	64	09.96-08.03	■
1.9 D (LA0A, LA0U, LA0R) (F8Q 624)	-12/02	Diesel	FWD	1870	47	64	09.96-08.03	■
1.9 dTi (LA1U) (F9Q 744)	-12/02	Diesel	FWD	1870	59	80	02.01-08.03	■
1.9 dT (LA0K, LA0Y) (F8Q 784)		Diesel	FWD	1870	66	90	09.96-08.03	■
1.9 dT (LA0K, LA0Y) (F8Q 786)		Diesel	FWD	1870	66	90	09.96-08.03	■
1.9 TDI (F8Q 784)	-12/02	Diesel	FWD	1870	69	94	09.96-08.03	■
1.9 dTi (LA08, LA0N, LA0K) (F9Q 730)		Diesel	FWD	1870	72	98	03.97-02.01	■
1.9 dTi (LA08, LA0N, LA0K) (F9Q 731)		Diesel	FWD	1870	72	98	03.97-02.01	■
1.9 dTi (LA08, LA0N, LA0K) (F9Q 734)		Diesel	FWD	1870	72	98	03.97-02.01	■

LISTA DE APLICACIONES - BUYERS GUIDE

1.9 dTi (LA08, LA0N, LA0K) (F9Q 736)		Diesel	FWD	1870	72	98	03.97-02.01	■
1.9 dCi (LA05, LA1F) (F9Q 732)	-12/02	Diesel	FWD	1870	75	102	02.01-08.03	■
1.9 dCi (LA05, LA1F) (F9Q 733)	-12/02	Diesel	FWD	1870	75	102	02.01-08.03	■
1.9 dCi (LA05, LA1F) (F9Q 738)	-12/02	Diesel	FWD	1870	75	102	02.01-08.03	■
1.9 DT (F8Q 784)		Diesel	FWD	1870	76	104	08.98-10.99	■
1.9 dCi (LA05) (F9Q 732)		Diesel	FWD	1870	77	105	03.99-07.03	■
1.9 dCi (LA05) (F9Q 733)		Diesel	FWD	1870	77	105	03.99-07.03	■
MEGANE Coach (DA0/1_) 03.96-08.03				Coupe (Compact car-C Segment)				
1.4 16V (DA0D, DA1H, DA0W, DA10) (K4J 700)	-12/02	Gasolina	FWD	1390	70	95	03.99-07.03	■
1.4 16V (DA0D, DA1H, DA0W, DA10) (K4J 714)	-12/02	Gasolina	FWD	1390	70	95	03.99-07.03	■
1.4 16V (DA0D, DA1H, DA0W, DA10) (K4J 750)	-12/02	Gasolina	FWD	1390	70	95	03.99-07.03	■
1.6 e (DA0F) (K7M 702)		Gasolina	FWD	1598	66	90	03.96-03.99	■
1.6 e (DA0F) (K7M 703)		Gasolina	FWD	1598	66	90	03.96-03.99	■
2.0 i (F3R 791)	-12/02	Gasolina	FWD	1998	80	109	03.99-08.03	■
2.0 i (F3R 796)	-12/02	Gasolina	FWD	1998	80	109	03.99-08.03	■
2.0 i (DA0G) (F3R 750)	-12/02	Gasolina	FWD	1998	84	114	03.96-08.03	■
2.0 i (DA0G) (F3R 751)	-12/02	Gasolina	FWD	1998	84	114	03.96-08.03	■
2.0 i (DA0G) (F3R 798)	-12/02	Gasolina	FWD	1998	84	114	03.96-08.03	■
2.0 16V (DA0H) (F7R 710)		Gasolina	FWD	1998	108	147	03.96-11.99	■
2.0 16V (DA0H) (F7R 714)		Gasolina	FWD	1998	108	147	03.96-11.99	■
1.9 dTi (DA0N) (F9Q 731)		Diesel	FWD	1870	72	98	03.97-02.01	■
1.9 dTi (DA0N) (F9Q 734)		Diesel	FWD	1870	72	98	03.97-02.01	■
1.9 dTi (DA0N) (F9Q 736)		Diesel	FWD	1870	72	98	03.97-02.01	■
1.9 dCi (DA05, DA1F) (F9Q 732)	-12/02	Diesel	FWD	1870	75	102	02.01-08.03	■
1.9 dCi (DA05, DA1F) (F9Q 733)	-12/02	Diesel	FWD	1870	75	102	02.01-08.03	■
MEGANE Hatchback Van (SA0/1_) 08.95-07.03				Hatchback Van (Compact car-C Segment)				
1.9 (SA0U, SA0R, SA0A) (F8Q 620)		Diesel	FWD	1870	47	64	08.95-09.00	■
1.9 (SA0U, SA0R, SA0A) (F8Q 622)		Diesel	FWD	1870	47	64	08.95-09.00	■
1.9 (SA0U, SA0R, SA0A) (F8Q 624)		Diesel	FWD	1870	47	64	08.95-09.00	■
1.9 dCi (F9Q 738)		Diesel	FWD	1870	59	80	10.00-07.03	■
MEGANE Kombi van (KA_) 02.00-07.03				Estate Van (Compact car-C Segment)				
1.4 (KA0D) (K4J 714)		Gasolina	FWD	1390	70	95	04.01-07.03	■
1.4 (KA0D) (K4J 750)		Gasolina	FWD	1390	70	95	04.01-07.03	■
1.6 (KA0B, KA04) (K4M 700)		Gasolina	FWD	1598	79	107	04.01-07.03	■
1.6 (KA0B, KA04) (K4M 701)		Gasolina	FWD	1598	79	107	04.01-07.03	■
1.6 (KA0B, KA04) (K4M 708)		Gasolina	FWD	1598	79	107	04.01-07.03	■
1.6 (KA0B, KA04) (K4M 709)		Gasolina	FWD	1598	79	107	04.01-07.03	■
1.8 (KA1M) (F4P 722)		Gasolina	FWD	1783	85	116	04.01-07.03	■
1.6 BiFuel (KA0B) (K4M 712)		Gasol./Gas (LPG)	FWD	1598	79	107	04.01-07.03	■
1.6 BiFuel (KA04) (K4M 704)		Gasol./Gas (LPG)	FWD	1598	80	109	04.01-07.03	■
1.9 D (KA0R) (F8Q 622)		Diesel	FWD	1870	47	64	02.00-09.00	■
1.9 dTi (KA1U) (F9Q 744)		Diesel	FWD	1870	59	80	04.01-07.03	■
1.9 dCi (KA05) (F9Q 732)		Diesel	FWD	1870	75	102	04.01-07.03	■
1.9 dCi (KA05) (F9Q 733)		Diesel	FWD	1870	75	102	04.01-07.03	■
1.9 dCi (KA05) (F9Q 732)		Diesel	FWD	1870	77	105	04.01-07.03	■
1.9 dCi (KA05) (F9Q 733)		Diesel	FWD	1870	77	105	04.01-07.03	■

LISTA DE APLICACIONES - BUYERS GUIDE

MEGANE Scenic (JA0/1_) 10.96-12.01					MPV (Compact MPV-M1 Segment)			
1.4 i (JA0E) (E7J 764)		Gasolina	FWD	1390	55	75	01.97-09.99	■
1.6 i (JA0L) (K7M 720)		Gasolina	FWD	1598	55	75	01.97-09.99	■
1.6 e (JA0F) (K7M 702)	-12/98, Manual Transmission	Gasolina	FWD	1598	66	90	10.96-10.99	■
1.6 e (JA0F) (K7M 703)	-12/98, Manual Transmission	Gasolina	FWD	1598	66	90	10.96-10.99	■
R 11 (S37_) 03.83-07.89					Hatchback Van (LCVs-N1 Segment)			
1.1 (S371) (C1E 715)		Gasolina	FWD	1108	35	48	03.83-06.86	■
1.1 (S371) (C1E 720)		Gasolina	FWD	1108	35	48	03.83-06.86	■
1.2 (S37S) (C1G 700)		Gasolina	FWD	1237	40	55	10.84-12.88	■
1.2 (S37S) (C1G 710)		Gasolina	FWD	1237	40	55	10.84-12.88	■
1.4 (S372) (C1J 715)		Gasolina	FWD	1397	44	60	03.83-09.86	■
1.4 (S372) (C2J 730)		Gasolina	FWD	1397	44	60	03.83-09.86	■
1.4 (S373) (C2J 768)		Gasolina	FWD	1397	50	68	03.83-12.86	■
1.6 D (S374) (F8M 700)		Diesel	FWD	1595	40	55	08.83-12.88	■
1.6 D (S374) (F8M 720)		Diesel	FWD	1595	40	55	08.83-12.88	■
1.6 D (S374) (F8M 730)		Diesel	FWD	1595	40	55	08.83-12.88	■
R 11 / ENCORE (B/C37_) 03.83-09.95					Hatchback (Compact car-C Segment)			
1.1 (B/C371) (C1E 715)		Gasolina	FWD	1108	35	48	03.83-06.86	■
1.1 (B/C371) (C1E 720)		Gasolina	FWD	1108	35	48	03.83-06.86	■
1.2 (B37S, C375) (C1G 700)		Gasolina	FWD	1237	40	55	10.84-12.88	■
1.2 (B37S, C375) (C1G 710)		Gasolina	FWD	1237	40	55	10.84-12.88	■
1.4 (C2J 720)		Gasolina	FWD	1397	43	58	07.86-10.87	■
1.4 (B/C372, B/C37C) (C1J 715)		Gasolina	FWD	1397	44	60	03.83-12.88	■
1.4 (B/C372, B/C37C) (C2J 730)		Gasolina	FWD	1397	44	60	03.83-12.88	■
1.4 (B/C373, B/C37R) (C2J 720)		Gasolina	FWD	1397	49	67	03.83-12.88	■
1.4 (B/C373, B/C37R) (C2J 766)		Gasolina	FWD	1397	49	67	03.83-12.88	■
1.4 (B/C373, B/C37R) (C2J 767)		Gasolina	FWD	1397	49	67	03.83-12.88	■
1.4 (B/C373, B/C37R) (C2J 768)		Gasolina	FWD	1397	49	67	03.83-12.88	■
1.4 (B/C373) (C2J 718)		Gasolina	FWD	1397	50	68	03.83-12.85	■
1.4 (B/C373) (C2J 757)		Gasolina	FWD	1397	50	68	03.83-12.85	■
1.4 (B/C373) (C2J 717)		Gasolina	FWD	1397	53	72	05.83-12.85	■
1.4 (B/C373) (C2J 755)		Gasolina	FWD	1397	53	72	05.83-12.85	■
1.4 Turbo (B/C375) (C1J 760)		Gasolina	FWD	1397	77	105	04.84-12.86	■
1.4 Turbo (B/C375) (C1J 764)		Gasolina	FWD	1397	77	105	04.84-12.86	■
1.4 Turbo (B/C375) (C1J 770)		Gasolina	FWD	1397	85	115	10.86-12.88	■
1.4 Turbo (B/C375) (C1J 782)		Gasolina	FWD	1397	85	115	10.86-12.88	■
1.4 Turbo (C1J 764)		Gasolina	FWD	1397	87	118	02.84-06.86	■
1.7 (B/C37L) (F2N 730)		Gasolina	FWD	1721	54	73	10.86-12.88	■
1.7 (B/C37F) (F3N 718)		Gasolina	FWD	1721	55	75	10.84-12.88	■
1.7 (B/C376) (F2N 700)		Gasolina	FWD	1721	59	80	10.83-12.87	■
1.7 (B/C376) (F2N 704)		Gasolina	FWD	1721	59	80	10.83-12.87	■
1.7 (B/C37D) (F2N 732)		Gasolina	FWD	1721	64	87	06.87-12.88	■
1.7 (B/C37D) (F2N 742)		Gasolina	FWD	1721	64	87	06.87-12.88	■
1.7 (B37N, C73N) (F2N 708)		Gasolina	FWD	1721	65	88	10.86-12.88	■
1.7 (B37N, C73N) (F2N 710)		Gasolina	FWD	1721	65	88	10.86-12.88	■
1.7 (B37N, C73N) (F2N 798)		Gasolina	FWD	1721	65	88	10.86-12.88	■
1.7 (B/C37E) (F3N 708)		Gasolina	FWD	1721	69	94	06.87-12.88	■
1.6 D (B/C374) (F8M 700)		Diesel	FWD	1595	40	55	08.83-12.88	■
1.6 D (B/C374) (F8M 720)		Diesel	FWD	1595	40	55	08.83-12.88	■
1.6 D (B/C374) (F8M 730)		Diesel	FWD	1595	40	55	08.83-12.88	■

LISTA DE APLICACIONES - BUYERS GUIDE

					Estate Van (Large family car-D Segment)				
R 18 05.79-07.86									
1.4 (847 720)		Gasolina	FWD	1397	47	64	05.79-07.86	■	
1.4 (847 722)		Gasolina	FWD	1397	47	64	05.79-07.86	■	
2.1 Diesel (852 710)		Diesel	FWD	2068	49	67	11.81-07.86	■	
2.1 Diesel (J8S 711)		Diesel	FWD	2068	49	67	11.81-07.86	■	
R 18 (134_) 04.78-11.94					Saloon (Large family car-D Segment)				
1.4 (1340) (847 720)		Gasolina	FWD	1397	47	64	04.78-07.86	■	
1.4 (1340) (847 722)		Gasolina	FWD	1397	47	64	04.78-07.86	■	
1.6 Turbo (1345) (807 727)		Gasolina	FWD	1565	80	109	10.80-09.82	■	
1.6 Turbo (1345) (A5L 717)		Gasolina	FWD	1565	92	125	10.82-07.86	■	
1.6 Turbo (1345) (A5L 718)		Gasolina	FWD	1565	92	125	10.82-07.86	■	
1.6 (1341) (841 717)		Gasolina	FWD	1647	54	73	04.82-07.86	■	
1.6 (1341) (A2M 723)		Gasolina	FWD	1647	54	73	04.82-07.86	■	
1.6 TS (1342) (A6M 725)		Gasolina	FWD	1647	71	97	05.82-07.86	■	
1.6 TS (1342) (A6M 726)		Gasolina	FWD	1647	71	97	05.82-07.86	■	
2.0 (1343) (J6R 716)		Gasolina	FWD	1995	77	105	05.82-07.86	■	
2.1 Diesel (1344) (852 710)		Diesel	FWD	2068	49	67	11.81-07.86	■	
2.1 Diesel (1344) (J8S 711)		Diesel	FWD	2068	49	67	11.81-07.86	■	
2.1 Diesel (J8S 711)		Diesel	FWD	2068	53	72	11.81-07.86	■	
2.1 TD (J8S 712)		Diesel	FWD	2068	65	88	11.81-07.86	■	
R 18 Variable (135_) 02.79-11.94					Estate (Large family car-D Segment)				
1.4 (1350) (847 720)		Gasolina	FWD	1397	47	64	05.79-07.86	■	
1.4 (1350) (847 722)		Gasolina	FWD	1397	47	64	05.79-07.86	■	
1.6 Turbo (1355) (807 727)		Gasolina	FWD	1565	80	109	09.82-07.86	■	
1.6 Turbo (A5L 717)		Gasolina	FWD	1565	92	125	10.82-07.86	■	
1.6 Turbo (A5L 718)		Gasolina	FWD	1565	92	125	10.82-07.86	■	
1.6 (1351) (841 717)		Gasolina	FWD	1647	54	73	01.82-07.86	■	
1.6 (1351) (A2M 723)		Gasolina	FWD	1647	54	73	01.82-07.86	■	
1.6 4x4 (841 717)		Gasolina	4WD	1647	54	73	01.83-07.86	■	
1.6 4x4 (A2M 723)		Gasolina	4WD	1647	54	73	01.83-07.86	■	
1.6 (1351) (841 725)		Gasolina	FWD	1647	58	79	05.79-09.82	■	
1.6 (1351) (841 726)		Gasolina	FWD	1647	58	79	05.79-09.82	■	
1.6 TS (A6M 725)		Gasolina	FWD	1647	71	97	05.82-07.86	■	
1.6 TS (A6M 726)		Gasolina	FWD	1647	71	97	05.82-07.86	■	
2.0 4x4 (J6R 714)		Gasolina	4WD	1995	76	104	05.83-12.86	■	
2.0 4x4 (J6R 716)		Gasolina	4WD	1995	76	104	05.83-12.86	■	
2.0 (1353) (J6R 716)		Gasolina	FWD	1995	77	105	10.81-07.86	■	
2.1 Diesel (1354) (852 710)		Diesel	FWD	2068	49	67	11.80-07.86	■	
2.1 Diesel (1354) (J8S 711)		Diesel	FWD	2068	49	67	11.80-07.86	■	
2.1 Diesel (J8S 711)		Diesel	FWD	2068	53	72	05.79-07.86	■	
R 19 (S53_) 01.88-12.92					Hatchback Van (LCVs-N1 Segment)				
1.2 (C1G 730)		Gasolina	FWD	1237	40	54	01.88-12.92	■	
1.4 (E6J 700)		Gasolina	FWD	1390	59	80	01.88-12.92	■	
1.9 D (F8Q 706)		Diesel	FWD	1870	48	65	01.88-12.92	■	
1.9 D (F8Q 742)		Diesel	FWD	1870	48	65	01.88-12.92	■	
R 19 (B/C53_) 01.88-09.94					Hatchback (Compact car-C Segment)				
1.2 (C1G 730)	vehicles with ABS	Gasolina	FWD	1237	40	54	01.88-12.92	■	
1.4 Cat (B/C532) (C3J 710)		Gasolina	FWD	1390	43	58	01.89-04.92	■	
1.4 (E7J 700)		Gasolina	FWD	1390	55	75	09.90-04.92	■	

LISTA DE APLICACIONES - BUYERS GUIDE

1.4 (E6J 700)		Gasolina	FWD	1390	59	80	01.88-12.92	■
1.4 (E6J 701)		Gasolina	FWD	1390	59	80	01.88-12.92	■
1.4 (B/C53P) (C2J 772)		Gasolina	FWD	1397	43	58	01.89-05.93	■
1.7 (B/C53B) (F3N 740)		Gasolina	FWD	1721	54	73	09.88-04.92	■
1.7 (B/C53B) (F3N 741)		Gasolina	FWD	1721	54	73	09.88-04.92	■
1.7 (B/C53C) (F3N 742)		Gasolina	FWD	1721	66	90	09.88-04.92	■
1.7 (B/C53C) (F3N 743)		Gasolina	FWD	1721	66	90	09.88-04.92	■
1.7 (F2N 720)	Type C533	Gasolina	FWD	1721	68	92	09.88-04.92	■
1.7 (F2N 721)		Gasolina	FWD	1721	69	94	07.88-04.92	■
1.7 (F2N 722)		Gasolina	FWD	1721	69	94	07.88-04.92	■
1.7 (F3N 746)		Gasolina	FWD	1721	79	107	06.89-04.92	■
1.8 16V (B/C53D) (F7P 704)		Gasolina	FWD	1764	99	135	06.89-04.92	■
1.8 16V (F7P 700)	Type C539	Gasolina	FWD	1764	101	137	06.89-04.92	■
1.8 (F3P 765)		Gasolina	FWD	1794	67	91	05.92-09.94	■
1.9 D (B/C534, B/C53J) (F8Q 706)	Type C534	Diesel	FWD	1870	47	64	09.88-04.92	■
1.9 D (B/C534, B/C53J) (F8Q 742)	Type C534	Diesel	FWD	1870	47	64	09.88-04.92	■
1.9 DT (F8Q 740)	vehicles with ABS	Diesel	FWD	1870	66	90	09.90-04.92	■
1.9 DT (F8Q 610)	vehicles with ABS	Diesel	FWD	1870	68	92	09.90-04.92	■
R 19 (L53_) 01.88-12.92							Saloon (Compact car-C Segment)	
1.1 TR		Gasolina	FWD	1108	35	48	07.88-04.92	■
1.2 (C1G 730)		Gasolina	FWD	1237	40	54	01.88-12.92	■
1.4 (L532, L53P) (C2J 772)		Gasolina	FWD	1390	43	58	07.88-04.92	■
1.4 (L532, L53P) (C3J 710)		Gasolina	FWD	1390	43	58	07.88-04.92	■
1.4 (E7J 700)		Gasolina	FWD	1390	55	75	09.90-04.92	■
1.4 (E6J 700)		Gasolina	FWD	1390	57	78	07.88-08.90	■
1.4 (E6J 701)		Gasolina	FWD	1390	57	78	07.88-08.90	■
1.4 (E6J 700)		Gasolina	FWD	1390	58	79	06.89-08.90	■
1.7 (L53B) (F3N 740)		Gasolina	FWD	1721	54	73	10.89-04.92	■
1.7 (L53B) (F3N 741)		Gasolina	FWD	1721	54	73	10.89-04.92	■
1.7 (L53C) (F3N 742)		Gasolina	FWD	1721	66	90	07.88-04.92	■
1.7 (L53C) (F3N 743)		Gasolina	FWD	1721	66	90	07.88-04.92	■
1.7 (L533) (F2N 720)		Gasolina	FWD	1721	68	92	09.88-12.92	■
1.7 (L533) (F2N 721)		Gasolina	FWD	1721	68	92	09.88-12.92	■
1.7 (F2N 721)		Gasolina	FWD	1721	69	94	09.90-04.92	■
1.7 (L53F) (F3N 746)		Gasolina	FWD	1721	79	107	08.88-12.92	■
1.8 16V (L53D) (F7P 704)		Gasolina	FWD	1764	99	135	10.89-04.92	■
1.8 16V (F7P 700)		Gasolina	FWD	1764	101	137	06.89-08.90	■
1.9 D (L534, L53J) (F8Q 706)		Diesel	FWD	1870	47	64	10.89-04.92	■
1.9 D (L534, L53J) (F8Q 742)		Diesel	FWD	1870	47	64	10.89-04.92	■
1.9 DT (F8Q 740)		Diesel	FWD	1870	66	90	09.90-04.92	■
1.9 TD (L53K) (F8Q 740)		Diesel	FWD	1870	68	92	09.90-04.92	■
R 19 II (D53_) 07.91-04.92							Convertible (Compact car-C Segment)	
1.7 (F2N 724)		Gasolina	FWD	1721	55	75	07.91-04.92	■
1.7 (F3N 742)		Gasolina	FWD	1721	66	90	07.91-04.92	■
1.7 (F3N 743)		Gasolina	FWD	1721	66	90	07.91-04.92	■
1.7 (D53C) (F3N 742)		Gasolina	FWD	1721	66	90	04.92-09.93	■
1.7 (D53C) (F3N 743)		Gasolina	FWD	1721	66	90	04.92-09.93	■
1.7		Gasolina	FWD	1721	69	94	10.96-06.01	■
1.7 (F3N 742)		Gasolina	FWD	1721	70	95	07.91-04.92	■
1.7 (F3N 743)		Gasolina	FWD	1721	70	95	07.91-04.92	■

LISTA DE APLICACIONES - BUYERS GUIDE

1.8 16V (D53D) (F7P 704)		Gasolina	FWD	1764	99	135	04.92-06.96	■
1.8 16V (D53D) (F7P 700)		Gasolina	FWD	1764	101	137	07.91-04.92	■
1.8 16V (D53D) (F7P 704)		Gasolina	FWD	1764	101	137	07.91-04.92	■
1.8 16V (D53D) (F7P 704)		Gasolina	FWD	1764	101	137	05.92-04.94	■
1.8 (D53Y) (F3P 704)		Gasolina	FWD	1794	65	88	04.92-06.96	■
1.8 (D53Y) (F3P 705)		Gasolina	FWD	1794	65	88	04.92-06.96	■
1.8 (D53Y) (F3P 706)		Gasolina	FWD	1794	65	88	04.92-06.96	■
1.8 (D53Y) (F3P 707)		Gasolina	FWD	1794	65	88	04.92-06.96	■
1.8 (D53Y) (F3P 708)		Gasolina	FWD	1794	65	88	04.92-06.96	■
1.8 (D53Y) (F3P 760)		Gasolina	FWD	1794	65	88	04.92-06.96	■
1.8 (853A) (F3P 706)		Gasolina	FWD	1794	66	90	09.93-06.96	■
1.8 (853A) (F3P 760)		Gasolina	FWD	1794	66	90	09.93-06.96	■
1.8 (D53Y) (F3P 706)		Gasolina	FWD	1794	69	94	04.92-01.96	■
1.8 (D53Y) (F3P 707)		Gasolina	FWD	1794	69	94	04.92-01.96	■
1.8 (D53V, 853F, D53C) (F3P 682)		Gasolina	FWD	1794	79	107	07.94-06.96	■
1.8 (D53V, 853F, D53C) (F3P 764)		Gasolina	FWD	1794	79	107	07.94-06.96	■
1.8 (D53V, 853F, D53C) (F3P 765)		Gasolina	FWD	1794	79	107	07.94-06.96	■
1.8		Gasolina	FWD	1794	86	117	01.95-06.01	■
R 19 II (S53_) 03.92-12.95				Hatchback Van (LCVs-N1 Segment)				
1.2 (C1G 730)		Gasolina	FWD	1237	40	54	03.92-12.95	■
1.4 (E6J 700)		Gasolina	FWD	1390	59	80	03.92-12.95	■
1.9 D (F8Q 706)	Type S534	Diesel	FWD	1870	48	65	03.92-12.95	■
1.9 D (F8Q 742)	Type S534	Diesel	FWD	1870	48	65	03.92-12.95	■
1.9 DT (F8Q 740)		Diesel	FWD	1870	68	92	03.92-12.95	■
R 19 II (B/C53_) 01.91-06.01				Hatchback (Compact car-C Segment)				
1.2 (E7F 730)		Gasolina	FWD	1171	44	60	05.92-09.94	■
1.2 (C1G 730)		Gasolina	FWD	1237	40	54	04.92-12.95	■
1.4 (B/C532) (C3J 710)		Gasolina	FWD	1390	43	58	04.92-12.95	■
1.4 (B/C535) (E7J 742)		Gasolina	FWD	1390	55	75	01.92-12.95	■
1.4 (E6J 700)		Gasolina	FWD	1390	57	78	05.93-12.98	■
1.4 (E6J 700)		Gasolina	FWD	1390	59	80	01.92-12.95	■
1.4 (E7J 706)		Gasolina	FWD	1390	59	80	01.92-12.95	■
1.4 (E6J 706)		Gasolina	FWD	1390	60	82	10.96-06.01	■
1.4		Gasolina	FWD	1397	48	65	10.96-06.01	■
1.7 (B/C53B) (F3N 740)	01/95-	Gasolina	FWD	1721	54	73	04.92-12.95	■
1.7 (B/C53B) (F3N 741)	01/95-	Gasolina	FWD	1721	54	73	04.92-12.95	■
1.7 (B/C53C) (F3N 743)		Gasolina	FWD	1721	66	90	04.92-12.95	■
1.7 (F3N 747)		Gasolina	FWD	1721	69	94	10.96-06.01	■
1.7 (F3N 746)		Gasolina	FWD	1721	79	107	05.92-09.94	■
1.8 16V (B/C53D) (F7P 704)		Gasolina	FWD	1764	99	135	04.92-12.95	■
1.8 16V		Gasolina	FWD	1764	101	137	10.94-12.97	■
1.8 16V (F7P 702)		Gasolina	FWD	1764	104	141	10.96-06.01	■
1.8 (B/C53Y) (F3P 706)		Gasolina	FWD	1794	65	88	04.92-12.95	■
1.8 (B/C53Y) (F3P 707)		Gasolina	FWD	1794	65	88	04.92-12.95	■
1.8 (B/C53Y) (F3P 708)		Gasolina	FWD	1794	65	88	04.92-12.95	■
1.8 (B/C53Y) (F3P 760)		Gasolina	FWD	1794	65	88	04.92-12.95	■
1.8 (5/353A) (F3P 706)		Gasolina	FWD	1794	66	90	04.92-12.95	■
1.8 (5/353A) (F3P 760)		Gasolina	FWD	1794	66	90	04.92-12.95	■
1.8 (5/353F, B/C538) (F3P 682)		Gasolina	FWD	1794	79	107	05.94-12.95	■
1.8 (5/353F, B/C538) (F3P 765)		Gasolina	FWD	1794	79	107	05.94-12.95	■

LISTA DE APLICACIONES - BUYERS GUIDE

1.8 (B/C538) (F3P 700)		Gasolina	FWD	1794	81	110	04.92-05.94	■	
1.8		Gasolina	FWD	1794	86	117	05.93-06.01	■	
1.9 D (B/C53J) (F8Q 742)		Diesel	FWD	1870	47	64	04.92-12.95	■	
1.9 D (F8Q 748)		Diesel	FWD	1870	52	71	10.96-06.01	■	
1.9 dT (B/C53T) (F8Q 744)		Diesel	FWD	1870	66	90	04.92-12.95	■	
1.9 D (F8Q 754)		Diesel	FWD	1870	71	97	10.96-06.01	■	
1.9 D		Diesel	FWD	1870	75	102	07.98-06.01	■	
R 19 II CHAMADE (L53_) 04.92-08.03							Saloon (Compact car-C Segment)		
1.2 (E7F 730)		Gasolina	FWD	1171	44	60	05.92-09.94	■	
1.4 (532) (C3J 710)		Gasolina	FWD	1390	43	58	04.92-12.95	■	
1.4 (C1J 742)		Gasolina	FWD	1390	44	60	05.92-09.94	■	
1.4 (C2J 772)		Gasolina	FWD	1390	44	60	05.92-09.94	■	
1.4 (C3J 710)		Gasolina	FWD	1390	44	60	05.92-09.94	■	
1.4 (L535) (E7J 742)		Gasolina	FWD	1390	55	75	11.93-12.95	■	
1.4 (E6J 700)		Gasolina	FWD	1390	57	78	10.94-11.95	■	
1.4 (E7J 706)		Gasolina	FWD	1390	59	80	10.94-11.95	■	
1.4		Gasolina	FWD	1390	70	95	10.98-06.01	■	
1.4		Gasolina	FWD	1397	48	65	10.96-06.01	■	
1.6 (K7M 703)		Gasolina	FWD	1598	66	90	10.96-06.01	■	
1.7 (L53B) (F3N 740)		Gasolina	FWD	1721	54	73	04.92-12.95	■	
1.7 (L53B) (F3N 741)		Gasolina	FWD	1721	54	73	04.92-12.95	■	
1.7 (F3N 740)		Gasolina	FWD	1721	55	75	05.92-11.95	■	
1.7 (F3N 741)		Gasolina	FWD	1721	55	75	05.92-11.95	■	
1.7 (L53C) (F3N 742)		Gasolina	FWD	1721	66	90	04.92-12.95	■	
1.7 (L53C) (F3N 743)		Gasolina	FWD	1721	66	90	04.92-12.95	■	
1.7 (L533) (F2N 720)		Gasolina	FWD	1721	68	92	01.93-08.95	■	
1.7 (L533) (F2N 721)		Gasolina	FWD	1721	68	92	01.93-08.95	■	
1.8 16V (L53D) (F7P 704)		Gasolina	FWD	1764	99	135	04.92-12.95	■	
1.8 (L53Y) (F3P 704)		Gasolina	FWD	1794	65	88	04.92-12.95	■	
1.8 (L53Y) (F3P 705)		Gasolina	FWD	1794	65	88	04.92-12.95	■	
1.8 (L53Y) (F3P 706)		Gasolina	FWD	1794	65	88	04.92-12.95	■	
1.8 (L53Y) (F3P 707)		Gasolina	FWD	1794	65	88	04.92-12.95	■	
1.8 (L53Y) (F3P 708)		Gasolina	FWD	1794	65	88	04.92-12.95	■	
1.8 (L53Y) (F3P 760)		Gasolina	FWD	1794	65	88	04.92-12.95	■	
1.8 (453A/F) (F3P 706)		Gasolina	FWD	1794	66	90	04.92-12.95	■	
1.8 (453A/F) (F3P 760)		Gasolina	FWD	1794	66	90	04.92-12.95	■	
1.8 (F3P 765)		Gasolina	FWD	1794	67	91	05.92-09.94	■	
1.8		Gasolina	FWD	1794	71	97	10.96-09.98	■	
1.8 (F3P 700)		Gasolina	FWD	1794	79	107	05.92-11.95	■	
1.8 (F3P 706)		Gasolina	FWD	1794	79	107	05.92-11.95	■	
1.8 (L53V, L538) (F3P 682)		Gasolina	FWD	1794	79	107	05.94-12.95	■	
1.8 (L538) (F3P 700)		Gasolina	FWD	1794	81	110	04.92-05.94	■	
1.8		Gasolina	FWD	1794	86	117	10.96-06.01	■	
1.9 D (L53J) (F8Q 742)		Diesel	FWD	1870	47	64	04.92-12.97	■	
1.9 dT (L53T) (F8Q 744)		Diesel	FWD	1870	66	90	04.92-12.95	■	
1.9 D (F8Q 740)		Diesel	FWD	1870	68	92	05.92-11.95	■	
1.9 D (F8Q 744)		Diesel	FWD	1870	68	92	05.92-11.95	■	
1.9 D		Diesel	RWD	1870	71	97	10.96-06.01	■	
1.9 D		Diesel	RWD	1870	75	102	07.98-06.01	■	

LISTA DE APLICACIONES - BUYERS GUIDE

					Hatchback (Executive car-E Segment)				
R 20 (127_) 10.75-12.83									
1.6 (1271) (843 720)		Gasolina	FWD	1647	71	97	05.77-12.83	■	
1.6 (1271) (843 721)		Gasolina	FWD	1647	71	97	05.77-12.83	■	
2.0 (1277) (829 702)		Gasolina	FWD	1995	76	103	10.80-12.83	■	
2.0 (1277) (829 703)		Gasolina	FWD	1995	76	103	10.80-12.83	■	
2.2 (1279) (851 700)		Gasolina	FWD	2165	85	116	10.80-12.83	■	
2.1 Diesel (1276) (852)		Diesel	FWD	2068	47	64	10.80-12.83	■	
2.1 TD (J8S 702)		Diesel	FWD	2068	63	86	01.82-12.83	■	
R 21 (S48_) 06.86-04.95					Estate Van (Large family car-D Segment)				
1.7 (F2N 710)		Gasolina	FWD	1721	65	88	06.86-04.95	■	
1.9 D (F8Q 710)		Diesel	FWD	1870	47	64	06.86-08.94	■	
R 21 (K48_) 03.86-07.97					Estate (Large family car-D Segment)				
1.7 (K48M) (F2N 750)		Gasolina	FWD	1721	54	73	06.86-12.89	■	
1.7 Cat (K48F) (F3N 726)		Gasolina	FWD	1721	54	73	05.88-06.93	■	
1.7 (K/S481) (F2N 712)		Gasolina	FWD	1721	55	75	06.86-03.93	■	
1.7 (K48N) (F2N 752)		Gasolina	FWD	1721	64	87	06.87-04.89	■	
1.7 (K/S482) (F2N 710)		Gasolina	FWD	1721	65	88	10.86-12.88	■	
1.7 (K48E) (F3N 722)		Gasolina	FWD	1721	66	90	10.89-12.93	■	
1.7 (K48E) (F3N 723)		Gasolina	FWD	1721	66	90	10.89-12.93	■	
1.7 (K48E) (F3N 722)		Gasolina	FWD	1721	69	94	06.86-12.89	■	
1.7 (K48E) (F3N 723)		Gasolina	FWD	1721	69	94	06.86-12.89	■	
1.9 D (F8Q 710)	Type K48I	Diesel	FWD	1870	47	64	03.86-08.94	■	
R 21 (B48_) 07.89-06.94					Hatchback (Large family car-D Segment)				
1.4 (B48D) (C2J 770)		Gasolina	FWD	1397	51	69	09.89-05.93	■	
1.7 (B48F) (F3N 726)		Gasolina	FWD	1721	54	73	09.89-10.92	■	
1.7 (F2N 712)		Gasolina	FWD	1721	55	75	07.89-05.93	■	
1.7 (F3N 726)		Gasolina	FWD	1721	55	75	07.89-05.93	■	
1.7 (F2N 711)		Gasolina	FWD	1721	65	88	07.89-05.93	■	
1.7 (F2N 754)		Gasolina	FWD	1721	65	88	07.89-05.93	■	
1.7 (B48E) (F3N 722)		Gasolina	FWD	1721	66	90	09.89-06.94	■	
1.7 (B48E) (F3N 723)		Gasolina	FWD	1721	66	90	09.89-06.94	■	
1.9 D (B48H, B48I) (F8Q 710)		Diesel	FWD	1870	47	64	09.89-01.94	■	
R 21 (L48_) 03.86-07.97					Saloon (Large family car-D Segment)				
1.7 (L48M, L48F) (F2N 750)		Gasolina	FWD	1721	54	73	07.86-02.94	■	
1.7 (L48M, L48F) (F3N 726)		Gasolina	FWD	1721	54	73	07.86-02.94	■	
1.7 (L481) (F2N 712)		Gasolina	FWD	1721	55	75	03.86-12.87	■	
1.7 (L48N) (F2N 752)		Gasolina	FWD	1721	64	87	06.87-04.89	■	
1.7 (L482) (F2N 710)		Gasolina	FWD	1721	65	88	03.86-03.93	■	
1.7 (L48E) (F3N 722)		Gasolina	FWD	1721	66	90	09.89-02.94	■	
1.7 (L48E) (F3N 723)		Gasolina	FWD	1721	66	90	09.89-02.94	■	
1.7 (L48E) (F3N 722)		Gasolina	FWD	1721	69	94	03.86-02.94	■	
1.7 (L48E) (F3N 723)		Gasolina	FWD	1721	69	94	03.86-02.94	■	
1.7 (F3N 722)		Gasolina	FWD	1721	70	95	04.86-06.89	■	
1.7 (F3N 723)		Gasolina	FWD	1721	70	95	04.86-06.89	■	
1.9 D (L48H, L48I) (F8Q 710)		Diesel	FWD	1870	47	64	08.89-10.93	■	
R 25 (B29_) 04.84-12.93					Hatchback (Executive car-E Segment)				
2.0 (B297) (J6R 706)		Gasolina	FWD	1995	74	101	04.84-12.92	■	
2.0 (B297) (J6R 707)		Gasolina	FWD	1995	74	101	04.84-12.92	■	

LISTA DE APLICACIONES - BUYERS GUIDE

2.0 (B297) (J6R 760)		Gasolina	FWD	1995	74	101	04.84-12.92	■
2.0 (B297) (J6R 762)		Gasolina	FWD	1995	74	101	04.84-12.92	■
2.0 (B297) (J6R 763)		Gasolina	FWD	1995	74	101	04.84-12.92	■
2.0 (J7R 722)		Gasolina	FWD	1995	88	120	03.87-12.93	■
2.0 (J7R 723)		Gasolina	FWD	1995	88	120	03.87-12.93	■
2.0 12V (B294) (J7R 726)		Gasolina	FWD	1995	99	135	06.89-12.92	■
2.0 12V (J7R 720)		Gasolina	FWD	1995	103	140	06.88-12.93	■
2.0 12V (J7R 721)		Gasolina	FWD	1995	103	140	06.88-12.93	■
2.2 (B29) (J7T 708)		Gasolina	FWD	2165	76	103	11.85-03.89	■
2.2 (B29) (J7T 732)		Gasolina	FWD	2165	76	103	11.85-03.89	■
2.2 (B29B) (J7T 708)		Gasolina	FWD	2165	79	108	09.86-12.92	■
2.2 (B29B) (J7T 732)		Gasolina	FWD	2165	79	108	09.86-12.92	■
2.2 (B29B) (J7T 733)		Gasolina	FWD	2165	79	108	09.86-12.92	■
2.2 (B29E) (J7T 706)		Gasolina	FWD	2165	89	121	04.84-12.89	■
2.2 (B29E) (J7T 707)		Gasolina	FWD	2165	89	121	04.84-12.89	■
2.2 (B29E) (J7T 714)		Gasolina	FWD	2165	89	121	04.84-12.89	■
2.2 (B29E) (J7T 715)		Gasolina	FWD	2165	89	121	04.84-12.89	■
2.2 (B29E) (J7T 730)		Gasolina	FWD	2165	91	124	04.84-12.89	■
2.2 (B29E) (J7T 731)		Gasolina	FWD	2165	91	124	04.84-12.89	■
2.1 Diesel (B296) (J8S 706)		Diesel	FWD	2068	46	63	04.84-05.89	■
2.1 Diesel (B296) (J8S 736)		Diesel	FWD	2068	51	69	06.89-12.92	■
2.1 Turbo-D FWD (B290, B29W) (J8S 708)		Diesel	FWD	2068	63	86	04.84-12.92	■
2.1 Turbo-D FWD (B290, B29W) (J8S 738)		Diesel	FWD	2068	63	86	04.84-12.92	■
R 30 (127_) 02.75-03.86							Hatchback (Executive car-E Segment)	
2.1 Turbo-D (1270) (J8S 702)		Diesel	FWD	2068	63	86	02.82-03.86	■
R 5 / LE CAR (122_) 01.72-12.85							Hatchback (Supermini car-B Segment)	
1.4 Automatik (1229, 1399) (847 712)		Gasolina	FWD	1397	43	59	06.82-09.84	■
R 9 / ALLIANCE (L42_) 09.81-02.97							Saloon (Compact car-C Segment)	
1.1 (L421) (C1E 715)		Gasolina	FWD	1108	35	48	09.81-05.87	■
1.1 (L421) (C1E 720)		Gasolina	FWD	1108	35	48	09.81-05.87	■
1.2 (L42S) (C1G 700)		Gasolina	FWD	1237	40	54	09.85-12.88	■
1.2 (L42S) (C1G 710)		Gasolina	FWD	1237	40	54	09.85-12.88	■
1.4 (L422, L42C) (C1J 715)		Gasolina	FWD	1397	44	60	12.81-12.88	■
1.4 (L422, L42C) (C1J 792)		Gasolina	FWD	1397	44	60	12.81-12.88	■
1.4 (L422, L42C) (C1J 796)		Gasolina	FWD	1397	44	60	12.81-12.88	■
1.4 (L422, L42C) (C2J 730)		Gasolina	FWD	1397	44	60	12.81-12.88	■
1.4 (L423, L42R) (C2J 720)		Gasolina	FWD	1397	49	67	09.85-12.88	■
1.4 (L423, L42R) (C2J 766)		Gasolina	FWD	1397	49	67	09.85-12.88	■
1.4 (L423, L42R) (C2J 767)		Gasolina	FWD	1397	49	67	09.85-12.88	■
1.4 (L423, L42R) (C2J 768)		Gasolina	FWD	1397	49	67	09.85-12.88	■
1.4 Automatik (L423) (C2J 718)		Gasolina	FWD	1397	50	68	09.81-12.85	■
1.4 Automatik (L423) (C2J 757)		Gasolina	FWD	1397	50	68	09.81-12.85	■
1.4 (L423) (C2J 717)		Gasolina	FWD	1397	53	72	09.81-12.85	■
1.4 (L423) (C2J 755)		Gasolina	FWD	1397	53	72	09.81-12.85	■
1.4 Turbo (L425) (C1J 760)		Gasolina	FWD	1397	77	105	04.84-12.86	■
1.4 Turbo (L425) (C1J 764)		Gasolina	FWD	1397	77	105	04.84-12.86	■
1.4 Turbo (C1J 764)		Gasolina	FWD	1397	85	116	12.86-12.89	■
1.7 (L42F) (F3N 718)		Gasolina	FWD	1721	54	73	10.86-12.88	■
1.7 (L42L) (F2N 730)		Gasolina	FWD	1721	55	75	10.86-12.88	■
1.7 (L426) (F2N 700)		Gasolina	FWD	1721	59	80	09.84-12.89	■

LISTA DE APLICACIONES - BUYERS GUIDE

1.7 (L426) (F2N 704)		Gasolina	FWD	1721	59	80	09.84-12.89	■	
1.7 (L42N) (F2N 708)		Gasolina	FWD	1721	65	88	10.86-12.88	■	
1.7 (L42N) (F2N 710)		Gasolina	FWD	1721	65	88	10.86-12.88	■	
1.7 (L42N) (F2N 798)		Gasolina	FWD	1721	65	88	10.86-12.88	■	
1.7 (L42E) (F3N 708)		Gasolina	FWD	1721	69	94	06.87-12.88	■	
1.6 D (L424) (F8M 700)		Diesel	FWD	1595	40	55	10.82-12.88	■	
1.6 D (L424) (F8M 720)		Diesel	FWD	1595	40	55	10.82-12.88	■	
1.6 D (L424) (F8M 730)		Diesel	FWD	1595	40	55	10.82-12.88	■	
RAPID / EXTRA / EXPRESS (F40_, G40_) 07.85-11.01							Box Body/MPV (LCVs-N1 Segment)		
1.0 (C1C 706)		Gasolina	FWD	956	27	37	02.86-05.92	■	
1.0 (C1C 706)		Gasolina	FWD	956	31	42	09.85-08.91	■	
1.1 (F401) (C1E 750)		Gasolina	FWD	1108	33	45	07.85-04.95	■	
1.1 (F401) (C1E 752)		Gasolina	FWD	1108	33	45	07.85-04.95	■	
1.1 (F401) (C1E 754)		Gasolina	FWD	1108	33	45	07.85-04.95	■	
1.1 (F401) (C1E 760)		Gasolina	FWD	1108	33	45	07.85-04.95	■	
1.1 (F401) (C1E 762)		Gasolina	FWD	1108	33	45	07.85-04.95	■	
1.1 (F401) (C1E 792)		Gasolina	FWD	1108	33	45	07.85-04.95	■	
1.1 (F40H) (C1E 756)		Gasolina	FWD	1108	33	45	06.87-09.91	■	
1.1 (C1E 750)		Gasolina	FWD	1108	34	46	09.85-08.91	■	
1.1 (C1E 762)		Gasolina	FWD	1108	35	48	09.93-04.95	■	
1.2 (E7F 708)		Gasolina	FWD	1171	48	65	05.95-11.98	■	
1.2 (C1G 726)		Gasolina	FWD	1237	40	54	09.91-08.93	■	
1.2 (F406, G40A) (C3G 710)		Gasolina	FWD	1239	40	55	09.91-03.98	■	
1.2 (F406, G40A) (C3G 712)		Gasolina	FWD	1239	40	55	09.91-03.98	■	
1.4 (F40Y, F40A, F40V) (E6J 734)		Gasolina	FWD	1390	43	58	09.91-08.97	■	
1.4 (F40Y, F40A, F40V) (E6J 738)		Gasolina	FWD	1390	43	58	09.91-08.97	■	
1.4 (F40Y, F40A, F40V) (E7J 720)		Gasolina	FWD	1390	43	58	09.91-08.97	■	
1.4 Cat (F407) (C3J 700)		Gasolina	FWD	1390	43	58	08.88-03.98	■	
1.4 Cat (F407) (C3J 702)		Gasolina	FWD	1390	43	58	08.88-03.98	■	
1.4 Cat (F407) (C3J 760)		Gasolina	FWD	1390	43	58	08.88-03.98	■	
1.4 Cat (F407) (C3J 762)		Gasolina	FWD	1390	43	58	08.88-03.98	■	
1.4 RN (E6J 734)		Gasolina	FWD	1390	44	60	09.91-08.93	■	
1.4 (E7J 724)		Gasolina	FWD	1390	54	73	09.91-08.93	■	
1.4 (F40U, F40V) (E7J 720)		Gasolina	FWD	1390	55	75	09.91-03.98	■	
1.4 (F40U, F40V) (E7J 724)		Gasolina	FWD	1390	55	75	09.91-03.98	■	
1.4 (F40U, F40V) (E7J 726)		Gasolina	FWD	1390	55	75	09.91-03.98	■	
1.4 (F40U, F40V) (E7J 773)		Gasolina	FWD	1390	55	75	09.91-03.98	■	
1.4 (F40D) (E7J 728)		Gasolina	FWD	1390	58	79	01.94-03.98	■	
1.4 (E7J 773)		Gasolina	FWD	1390	59	80	05.95-08.97	■	
1.4 (F402) (C1J 768)		Gasolina	FWD	1397	43	58	07.85-08.91	■	
1.4 (F402) (C1J 780)		Gasolina	FWD	1397	43	58	07.85-08.91	■	
1.4 (F40M) (C2J 784)		Gasolina	FWD	1397	44	60	03.86-08.91	■	
1.6 D (F8M 736)		Diesel	FWD	1595	40	54	09.93-04.95	■	
1.6 D (F404) (F8M 720)		Diesel	FWD	1595	40	55	03.86-08.98	■	
1.6 D (F404) (F8M 730)		Diesel	FWD	1595	40	55	03.86-08.98	■	
1.6 D (F404) (F8M 736)		Diesel	FWD	1595	40	55	03.86-08.98	■	
1.6 D (F404) (F8M 760)		Diesel	FWD	1595	40	55	03.86-08.98	■	
1.9 D (F40R) (F8Q 640)		Diesel	FWD	1870	40	54	09.94-03.98	■	
1.9 D (F40R) (F8Q 648)		Diesel	FWD	1870	40	54	09.94-03.98	■	
1.9 D (F40R) (F8Q 682)		Diesel	FWD	1870	40	54	09.94-03.98	■	
1.9 D (F40P, F40N, F40E) (F8Q 646)		Diesel	FWD	1870	47	64	09.91-03.98	■	

LISTA DE APLICACIONES - BUYERS GUIDE

1.9 D (F40P, F40N, F40E) (F8Q 722)		Diesel	FWD	1870	47	64	09.91-03.98	■
1.9 D (F40P, F40N, F40E) (F8Q 724)		Diesel	FWD	1870	47	64	09.91-03.98	■
1.9 D (F40P, F40N, F40E) (F8Q 774)		Diesel	FWD	1870	47	64	09.91-03.98	■
1.9 D (F40P, F40N, F40E) (F8Q 776)		Diesel	FWD	1870	47	64	09.91-03.98	■
RAPID / EXTRA / EXPRESS 09.94-03.98				MPV (Supermini car-B Segment)				
1.9 D (F8Q 646)		Diesel	FWD	1870	47	64	09.94-03.98	■
1.9 D (F8Q 684)		Diesel	FWD	1870	47	64	09.94-03.98	■
1.9 D (F8Q 724)		Diesel	FWD	1870	47	64	09.94-03.98	■
1.9 D (F8Q 776)		Diesel	FWD	1870	47	64	09.94-03.98	■
SANDERO/STEPWAY (BS_) 11.07-				Hatchback (Compact car-C Segment)				
1.0 Hi-Flex		Gasolina	FWD	999	57	78	11.07-	■
1.0 Hi-Flex		Gasolina	FWD	999	59	80	06.14-	■
1.4 (K7J 710)		Gasolina	FWD	1390	55	75	02.09-07.13	■
1.6 (K7M 718)		Gasolina	FWD	1598	62	84	11.10-07.13	■
1.6 (BS0H, BS0F) (K7M 710)		Gasolina	FWD	1598	64	87	02.09-10.12	■
1.6		Gasolina	FWD	1598	66	90	05.09-	■
1.6 Hi-Flex		Gasolina	FWD	1598	68	92	11.07-	■
1.6 (K7M 710)		Gasolina	FWD	1598	75	102	12.07-07.13	■
1.6 (K4M 697)		Gasolina	FWD	1598	76	103	12.07-07.13	■
1.6 (K4M 690)		Gasolina	FWD	1598	77	105	05.12-12.12	■
1.6 Hi-Flex		Gasolina	FWD	1598	79	107	11.07-	■
1.6		Gasolina	FWD	1598	80	109	02.08-	■
1.6 (BS0V, BS1V)		Gasolina	FWD	1598	82	112	09.09-12.15	■
1.4 LPG (K7J 714)		Gasol./Gas (LPG)	FWD	1390	53	72	02.09-12.12	■
1.0 Authentique, Expression Hi-Flex (D4D 754)		Gasol./Etanol	FWD	999	57	77	11.07-	■
1.6 Expression Flex		Gasol./Etanol	FWD	1598	70	95	11.07-08.12	■
1.6 Flex		Gasol./Etanol	FWD	1598	77	105	12.12-	■
1.6 Flex		Gasol./Etanol	FWD	1598	78	106	03.14-	■
1.6 Flex (BS0V, BS1V, BS09)		Gasol./Etanol	FWD	1598	82	112	08.08-06.14	■
1.5 dCi		Diesel	RWD	1461	47	64	02.08-	■
SUPER 5 (S40_) 10.84-12.96				Hatchback Van (LCVs-N1 Segment)				
1.0 (S400) (C1C 700)		Gasolina	FWD	956	30	41	10.84-10.88	■
1.1 (S401) (C1E 750)		Gasolina	FWD	1108	34	46	10.84-12.96	■
1.1 (S401) (C1E 752)		Gasolina	FWD	1108	34	46	10.84-12.96	■
1.1 (S401) (C1E 754)		Gasolina	FWD	1108	34	46	10.84-12.96	■
1.2 (C1G 702)		Gasolina	FWD	1237	40	54	07.87-06.89	■
1.2 (S40F, S407) (C1G 702)	01/92-	Gasolina	FWD	1237	44	60	01.87-12.96	■
1.4 (C1J 788)		Gasolina	FWD	1397	85	116	04.85-10.87	■
1.6 D (S404) (F8M 720)		Diesel	FWD	1595	40	54	10.84-12.96	■
SUPER 5 (B/C40_) 10.84-12.96				Hatchback (Supermini car-B Segment)				
1.0 (B/C/400) (C1C 700)		Gasolina	FWD	956	30	41	10.84-10.88	■
1.1 (B/C/401, B/C40H) (C1E 750)		Gasolina	FWD	1108	33	45	01.86-03.95	■
1.1 (B/C/401, B/C40H) (C1E 752)		Gasolina	FWD	1108	33	45	01.86-03.95	■
1.1 (B/C/401, B/C40H) (C1E 756)		Gasolina	FWD	1108	33	45	01.86-03.95	■
1.1 (B/C/401, B/C40H) (C1E 760)		Gasolina	FWD	1108	33	45	01.86-03.95	■
1.1 (B/C/401) (C1E 750)		Gasolina	FWD	1108	34	46	10.84-10.88	■
1.1 (B/C/401) (C1E 752)		Gasolina	FWD	1108	34	46	10.84-10.88	■

LISTA DE APLICACIONES - BUYERS GUIDE

1.1 (B/C/401) (C1E 754)		Gasolina	FWD	1108	34	46	10.84-10.88	■
1.1 (C1E 750)		Gasolina	FWD	1108	35	48	10.89-12.90	■
1.2 (B/C40F) (C1G 702)		Gasolina	FWD	1237	40	55	01.87-08.90	■
1.2 (B/C40F) (C1G 720)		Gasolina	FWD	1237	40	55	01.87-08.90	■
1.2 (B/C40F) (C1G 722)		Gasolina	FWD	1237	40	55	01.87-08.90	■
1.4		Gasolina	FWD	1390	43	58	08.86-12.96	■
1.4 Cat (B/C/407) (C3J 700)	01/92-	Gasolina	FWD	1390	43	58	10.85-12.96	■
1.4 Cat (B/C/407) (C3J 702)	01/92-	Gasolina	FWD	1390	43	58	10.85-12.96	■
1.4 Cat (B/C/407) (C3J 760)	01/92-	Gasolina	FWD	1390	43	58	10.85-12.96	■
1.4 (B/C402) (C1J 768)		Gasolina	FWD	1397	43	59	10.84-06.88	■
1.4 (B/C402) (C1J 780)		Gasolina	FWD	1397	43	59	10.84-06.88	■
1.4 (B/C40M) (C2J 784)		Gasolina	FWD	1397	44	60	06.87-08.90	■
1.4 (B/C40J) (C2J 782)		Gasolina	FWD	1397	49	67	06.87-07.89	■
1.4 (B/C403) (C2J 700)	Type B403	Gasolina	FWD	1397	52	71	10.84-07.89	■
1.4 (B/C403) (C2J 780)	Type B403	Gasolina	FWD	1397	52	71	10.84-07.89	■
1.4 (B/C403) (C2J 781)	Type B403	Gasolina	FWD	1397	52	71	10.84-07.89	■
1.4 (B/C403) (C2J 788)	Type B403	Gasolina	FWD	1397	52	71	10.84-07.89	■
1.4 (B/C403) (C2J 789)	Type B403	Gasolina	FWD	1397	52	71	10.84-07.89	■
1.4 (B/C403) (C2J 798)	Type B403	Gasolina	FWD	1397	52	71	10.84-07.89	■
1.4 Turbo (C405) (C1J 782)		Gasolina	FWD	1397	88	120	04.85-08.90	■
1.4 Turbo (C405) (C1J 784)		Gasolina	FWD	1397	88	120	04.85-08.90	■
1.4 Turbo (C405) (C1J 788)		Gasolina	FWD	1397	88	120	04.85-08.90	■
1.4 Turbo GT (C405) (840 730)		Gasolina	FWD	1397	88	120	01.85-05.91	■
1.7 (B/C408) (F3N 716)	01/92-	Gasolina	FWD	1721	54	73	10.86-03.95	■
1.7 (B/C408) (F3N 717)	01/92-	Gasolina	FWD	1721	54	73	10.86-03.95	■
1.7 (B/C40K, B/C40G) (F2N 740)	01/92-	Gasolina	FWD	1721	64	87	06.87-03.95	■
1.7 (B/C40K, B/C40G) (F2N 742)	01/92-	Gasolina	FWD	1721	64	87	06.87-03.95	■
1.7 (F2N 740)		Gasolina	FWD	1721	66	90	09.88-09.90	■
1.7 i (C409) (F3N 702)		Gasolina	FWD	1721	69	94	10.86-08.91	■
1.7 i (C409) (F3N 722)		Gasolina	FWD	1721	69	94	10.86-08.91	■
1.6 D (F8M 730)		Diesel	FWD	1595	40	54	04.85-12.90	■
1.6 D (B/C/404) (F8M 720)	01/92-	Diesel	FWD	1595	40	55	08.85-12.96	■
1.6 D (B/C/404) (F8M 730)	01/92-	Diesel	FWD	1595	40	55	08.85-12.96	■
THALIA II / SYMBOL (LU_) 09.08-				Saloon (Supermini car-B Segment)				
1.4 (K7J 700)		Gasolina	FWD	1390	55	75	09.08-06.14	■
1.4 (K4J 712)		Gasolina	FWD	1390	72	98	01.09-12.11	■
1.2 LPG (D4F 728)		Gasol./Gas (LPG)	FWD	1149	55	75	01.10-12.13	■
1.5 dCi (K9K 740)		Diesel	FWD	1461	47	64	09.08-06.14	■
1.5 dCi (K9K 718)		Diesel	FWD	1461	62	85	09.08-12.12	■
THALIA / SYMBOL (LB_) 02.98-				Saloon (Supermini car-B Segment)				
1.0		Gasolina	FWD	999	52	71	06.00-01.05	■
1.0 Flex		Gasolina	FWD	999	57	76	11.05-02.09	■
1.2		Gasolina	FWD	1149	43	58	02.98-10.03	■
1.2 16V (D4F 706)	-12/05	Gasolina	FWD	1149	55	75	04.02-02.09	■
1.2 16V (D4F 712)	-12/05	Gasolina	FWD	1149	55	75	04.02-02.09	■
1.2 16V (D4F 728)	-12/05	Gasolina	FWD	1149	55	75	04.02-02.09	■
1.4 (K7J 700)	-12/05	Gasolina	FWD	1390	55	75	08.00-10.05	■
1.4 (LB17) (K7J 700)		Gasolina	FWD	1390	72	98	05.00-02.09	■
1.4 16V (K4J 712)	-12/05	Gasolina	FWD	1390	72	98	08.00-02.09	■
1.6 (K7M 746)	-12/01	Gasolina	FWD	1598	66	90	03.98-10.08	■

LISTA DE APLICACIONES - BUYERS GUIDE

1.6 16V (K4M 740)	-12/05	Gasolina	FWD	1598	79	107	07.00-02.09	■	
1.6 Flex		Gasolina	FWD	1598	81	110	11.04-02.09	■	
1.6 RL/RN Flex (K4M 743)		Gasolina	FWD	1598	81	110	05.00-10.04	■	
1.6 (K4M 736)		Gasolina	FWD	1598	82	112	01.04-12.08	■	
1.6 Authentique Hi-Flex (LB26, LB3E) (K4M 742)		Gasol./Etanol	FWD	1598	86	115	11.04-02.09	■	
1.6 Authentique Hi-Flex (LB26, LB3E) (K4M 743)		Gasol./Etanol	FWD	1598	86	115	11.04-02.09	■	
1.5 dCi (K9K 740)	-12/05	Diesel	FWD	1461	47	64	06.05-02.09	■	
1.5 dCi (K9K 700)	-12/05	Diesel	FWD	1461	48	65	04.02-02.09	■	
1.5 dCi (K9K 700)	-12/05	Diesel	FWD	1461	50	68	02.03-02.09	■	
1.5 dCi (K9K 714)	-12/05	Diesel	FWD	1461	50	68	02.03-02.09	■	
1.5 dCi (K9K 706)		Diesel	FWD	1461	58	79	04.04-02.09	■	
1.5 dCi		Diesel	RWD	1461	59	80	06.01-10.03	■	
1.5 dCi (K9K 706)	-12/05	Diesel	FWD	1461	60	82	06.01-02.09	■	
1.5 dCi (K9K 718)		Diesel	FWD	1461	62	84	06.01-02.09	■	
1.9 D (F8Q 630)		Diesel	FWD	1870	48	65	02.98-05.01	■	
THALIA III / SYMBOL (L8_) 12.13-							Saloon (Supermini car-B Segment)		
1.2 16V (D4F 732)		Gasolina	FWD	1149	55	75	12.13-	■	
1.5 dCi (K9K 612,K9K 626, K9K 830,K9K 838)		Diesel	FWD	1461	60	82	12.13-	■	
1.5 dCi (L8AJ) (K9K 612)		Diesel	FWD	1461	66	90	12.13-	■	
TWINGO (S06_) 03.93-06.12							Hatchback Van (LCVs-N1 Segment)		
1.2 (S066, S068) (D7F 700)	Manual Transmission, Automatic Transmiss.	Gasolina	FWD	1149	43	58	05.96-08.04	■	
1.2 (S066, S068) (D7F 701)	Manual Transmission, Automatic Transmiss.	Gasolina	FWD	1149	43	58	05.96-08.04	■	
1.2 (S066, S068) (D7F 702)	Manual Transmission, Automatic Transmiss.	Gasolina	FWD	1149	43	58	05.96-08.04	■	
1.2 (S066, S068) (D7F 703)	Manual Transmission, Automatic Transmiss.	Gasolina	FWD	1149	43	58	05.96-08.04	■	
1.2 (S066, S068) (D7F 704)	Manual Transmission, Automatic Transmiss.	Gasolina	FWD	1149	43	58	05.96-08.04	■	
1.2 (S066, S068) (D7F 706)	Manual Transmission, Automatic Transmiss.	Gasolina	FWD	1149	43	58	05.96-08.04	■	
1.2	Automatic Transmiss.	Gasolina	FWD	1149	44	60	03.97-08.03	■	
1.2 (D4F 702)		Gasolina	FWD	1149	55	75	01.01-06.12	■	
1.2 (S063, S064) (C3G 700)		Gasolina	FWD	1239	40	55	03.93-05.96	■	
1.2 (S063, S064) (C3G 702)		Gasolina	FWD	1239	40	55	03.93-05.96	■	
TWINGO (C06_) 03.93-10.12							Hatchback (City car-A Segment)		
1.0 (D7D 740)		Gasolina	FWD	999	43	59	01.00-12.02	■	
1.0		Gasolina	FWD	999	50	70	03.01-05.07	■	
1.2 (C067) (D7F 700)	Automatic Transmiss.	Gasolina	FWD	1149	40	54	05.96-03.07	■	
1.2 (C067) (D7F 701)	Automatic Transmiss.	Gasolina	FWD	1149	40	54	05.96-03.07	■	
1.2 (C066, C068) (D7F 700)		Gasolina	FWD	1149	43	58	05.96-06.07	■	
1.2 (C066, C068) (D7F 701)		Gasolina	FWD	1149	43	58	05.96-06.07	■	
1.2 (C066, C068) (D7F 702)		Gasolina	FWD	1149	43	58	05.96-06.07	■	
1.2 (C066, C068) (D7F 703)		Gasolina	FWD	1149	43	58	05.96-06.07	■	
1.2 (C066, C068) (D7F 704)		Gasolina	FWD	1149	43	58	05.96-06.07	■	
1.2		Gasolina	FWD	1149	44	60	09.98-08.00	■	
1.2 16V (C060) (D4F 708)		Gasolina	FWD	1149	44	60	08.04-06.07	■	
1.2 16V (C06C, C06D, C06K) (D4F 702)		Gasolina	FWD	1149	55	75	01.01-06.07	■	
1.2 (C063, C064) (C3G 700)		Gasolina	FWD	1239	40	55	03.93-10.96	■	
1.2 (C063, C064) (C3G 702)		Gasolina	FWD	1239	40	55	03.93-10.96	■	
1.2 LPG	Type C068,C06G	Gasol./Gas (LPG)	FWD	1149	43	58	09.00-06.07	■	

LISTA DE APLICACIONES - BUYERS GUIDE

1.2 LPG (D7F 702)	Type C068,C06G	Gasol./Gas (LPG)	FWD	1149	44	60	10.03-06.07	■	
1.2 LPG (D7F 708)	Type C068,C06G	Gasol./Gas (LPG)	FWD	1149	44	60	10.03-06.07	■	
TWINGO II (CNO_) 09.10-09.14							Hatchback Van (City car-A Segment)		
1.2 (CN01, CN06) (D4F 770)		Gasolina	FWD	1149	55	75	09.10-09.14	■	
1.5 dCi (CN03) (K9K 820)		Diesel	FWD	1461	55	75	10.10-09.14	■	
TWINGO II (CN0_) 03.07-							Hatchback (City car-A Segment)		
1.2 (CN0D) (D7F 800)		Gasolina	FWD	1149	43	58	03.07-09.14	■	
1.2 16V (D4F 764)		Gasolina	RWD	1149	55	75	03.08-09.14	■	
1.2 16V (CN04, CN0B) (D4F 764)		Gasolina	FWD	1149	55	75	03.07-09.14	■	
1.2 16V (CN04, CN0B) (D4F 770)		Gasolina	FWD	1149	55	75	03.07-09.14	■	
1.2 16V (CN04, CN0B) (D4F 772)		Gasolina	FWD	1149	55	75	03.07-09.14	■	
1.2 16V (CN0K, CN0V, CN0A) (D4F 772)		Gasolina	FWD	1149	56	76	03.07-10.10	■	
1.2 Turbo (CN0C, CN0F) (D4F 780)		Gasolina	FWD	1149	74	100	03.07-09.14	■	
1.2 Turbo (CN0C, CN0F) (D4F 782)		Gasolina	FWD	1149	74	100	03.07-09.14	■	
1.2 TCe 100 (CN0P) (D4F 780)		Gasolina	FWD	1149	75	102	02.11-08.13	■	
1.2 TCe 100 (CN0P) (D4F 782)		Gasolina	FWD	1149	75	102	02.11-08.13	■	
1.2 16V Turbo	01/07-	Gasolina	FWD	1195	73	99	03.07-	■	
1.2 16V Turbo	01/09-	Gasolina	FWD	1195	88	120	03.07-	■	
1.5 dCi (CN0E) (K9K 740)		Diesel	FWD	1461	47	64	03.07-09.14	■	
1.5 dCi 75 (K9K 820)		Diesel	FWD	1461	55	75	10.10-08.14	■	
1.5 dCi (CN0U) (K9K 718)		Diesel	FWD	1461	62	84	04.08-09.14	■	
1.5 dCi 90 (K9K 820)		Diesel	FWD	1461	63	86	10.10-09.14	■	