

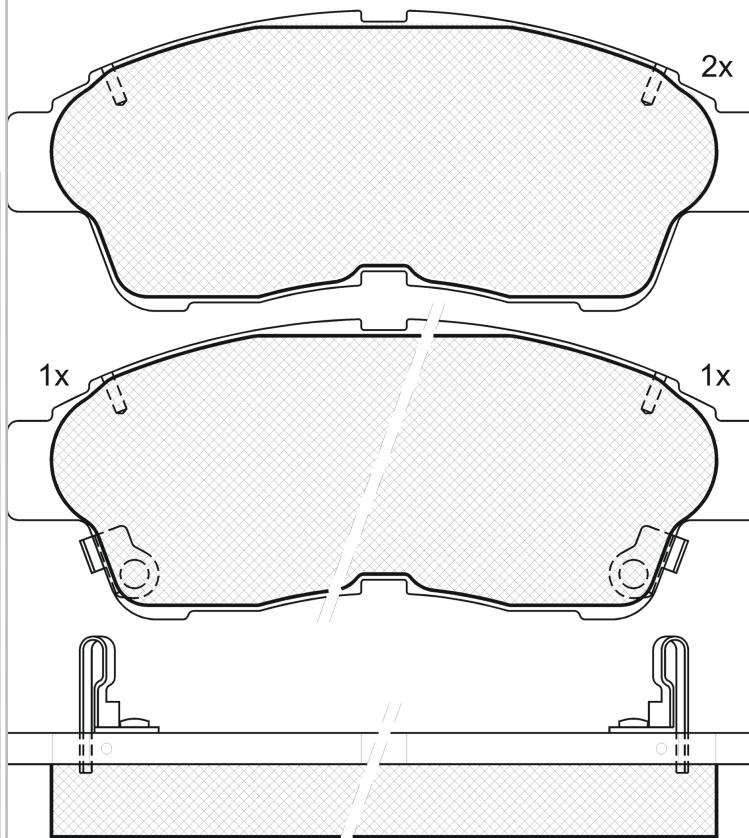
LISTA DE APLICACIONES - BUYERS GUIDE

181005



Qty: 300

Weight: 1.450



181005

E1 90R-01030/120



Akebono

133x53x18.3

WVA

21601

21602

21603

26219

FMSI

D562-7441

D695-7441

MAKE

CHEVROLET

DAIHATSU

HOLDEN

TOYOTA



Trac.	CC	Kw	CV
-------	----	----	----



Front / Rear

CHEVROLET

PRIZM 05.97-08.01							Saloon (Compact car-C Segment)	
1.8	Gasolina	FWD	1762	92	125	05.97-08.01	■	
1.8	Gasolina	FWD	1794	95	129	05.97-08.01	■	

DAIHATSU

TANTO IV / TANTO CUSTOM (LA650S, LA660S) 07.19-							Hatchback (City car-A Segment)	
0.7 4WD	Gasolina	4WD	658	38	52	07.19-	■	

HOLDEN

APOLLO (JM) 03.93-05.97							Estate (Executive car-E Segment)	
2.2 i	Gasolina	FWD	2164	93	126	03.93-05.95	■	
2.2 i	Gasolina	FWD	2164	93	124	01.95-05.97	■	

APOLLO (JK) 08.89-08.91							Saloon (Compact car-C Segment)	
2.2 JM 4 cyl.	01/93-	Gasolina	FWD	2195		08.89-	■	
2.2 JP	01/95-	Gasolina	FWD	2195		08.89-	■	

APOLLO (JM) 03.93-05.97							Saloon (Executive car-E Segment)	
2.2 i	Gasolina	FWD	2164	93	126	03.93-05.95	■	
2.2 i	Gasolina	FWD	2164	93	124	01.95-05.97	■	

NOVA (LE) 08.89-11.92							Hatchback (Compact car-C Segment)	
1.6	Gasolina	FWD	1587	78	106	10.94-12.97	■	
1.8 i	Gasolina	FWD	1762	85	116	10.94-12.97	■	
1.8 LG	01/94-	Gasolina	FWD	1795		08.89-	■	

LISTA DE APLICACIONES - BUYERS GUIDE

NOVA (LG) 10.94-12.97					Saloon (Compact car-C Segment)			
1.6 i		Gasolina	FWD	1587	78	104	10.94-12.97	■
1.8 i		Gasolina	FWD	1762	85	114	10.94-12.97	■
TOYOTA								
CALDINA (_T19_) 12.87-05.02					Estate (Executive car-E Segment)			
1.6		Gasolina	FWD	1587	121	165	02.92-09.97	■
1.8 (AT191) (7A-FE)		Gasolina	FWD	1762	79	107	02.92-09.97	■
1.8 (ST190_, ST190G) (4S-FE)		Gasolina	FWD	1838	92	125	11.92-01.96	■
2.0 (ST191) (3S-FE)		Gasolina	FWD	1998	89	121	02.92-10.97	■
2.0 (ST191) (3S-FE)		Gasolina	FWD	1998	93	126	02.92-09.97	■
2.0 4WD (ST195G_, ST195G) (3S-FE)		Gasolina	4WD	1998	94	129	11.92-07.97	■
2.0 4WD (ST195_, ST195G) (3S-FE)		Gasolina	4WD	1998	99	135	11.92-08.97	■
2.0 (ST191_, ST191G) (3S-FE)		Gasolina	FWD	1998	103	140	11.92-08.97	■
2.0 (ST195) (3S-GE)		Gasolina	4WD	1998	129	175	07.94-09.97	■
2.0 TD (CT190G) (2C)		Diesel	FWD	1974	54	73	06.94-09.97	■
2.0 TD (CT190) (2C)		Diesel	FWD	1974	56	76	06.94-09.97	■
2.0 TD (CT190_, CT190G) (2C-T)		Diesel	FWD	1974	65	88	01.96-08.97	■
CALDINA II (_T21_) 08.97-09.02					Estate (Executive car-E Segment)			
1.8 (AT211G) (7A-FE)	-11/97	Gasolina	FWD	1762	85	116	10.97-08.02	■
2.0 4WD (ST215G_, ST215G) (3S-FE)	-11/97	Gasolina	4WD	1998	99	135	08.97-09.02	■
2.0 (ST210G_, ST210G) (3S-FE)	-11/97	Gasolina	FWD	1998	103	140	08.97-09.02	■
2.0 4WD (ST215G_) (3S-FE)		Gasolina	4WD	1998	103	140	08.97-09.02	■
2.0		Gasolina	FWD	1998	140	190	08.97-09.02	■
2.0 4WD (ST215W_, ST215W) (3S-GTE)		Gasolina	4WD	1998	140	190	10.97-09.01	■
2.0 4WD (ST215W_, ST215W) (3S-GTE)		Gasolina	4WD	1998	192	261	02.00-09.01	■
2.2 TD (CT216G_) (3C-TE)		Diesel	FWD	2184	67	91	10.97-09.01	■
2.2 TD (CT216_) (3C-TE)		Diesel	FWD	2184	69	94	08.97-09.02	■
2.2 TD 4WD (CT216_, CT216G) (3C-TE)		Diesel	4WD	2184	69	94	08.97-09.02	■
CAMRY (_V2_) 08.96-09.02					Estate (Executive car-E Segment)			
2.2 (SXV20_, SXV20W, SXV20R)		Gasolina	FWD	2164	93	126	08.97-09.02	■
CAMRY (_V2_) 08.96-02.04					Saloon (Executive car-E Segment)			
1.8 (SAV22)		Gasolina	FWD	1838	92	125	08.96-07.01	■
2.2 (SXV20) (5S-FE)		Gasolina	FWD	2164	93	126	08.97-09.02	■
2.2 (SXV20_, SXV20) (5S-FE)		Gasolina	FWD	2164	96	131	08.96-11.01	■
2.2 (SXV20) (5S-FE)	Rim 15	Gasolina	FWD	2164	101	137	09.99-11.01	■
2.0 TD		Diesel	FWD	1974	66	90	08.96-09.99	■
CAMRY / SCEPTER (_V1_) 06.91-08.97					Estate (Executive car-E Segment)			
2.2 (SDV10, SXV10)		Gasolina	FWD	2164	93	126	09.91-07.96	■
2.2 (SXV10_) (5S-FE)		Gasolina	FWD	2164	97	132	06.91-12.96	■
2.2 (SXV10_, SXV10R) (5S-FE)		Gasolina	FWD	2164	100	136	09.91-07.96	■
3.0 (VCV10_, VCV10R) (3VZ-FE)		Gasolina	FWD	2959	138	188	09.91-07.96	■
CAMRY / SCEPTER (_V1_) 07.90-10.01					Saloon (Executive car-E Segment)			
1.8 (SV40) (4S-FE)	-12/96	Gasolina	FWD	1838	92	125	06.94-09.97	■
2.0 4WD (SV43)	-12/96	Gasolina	4WD	1998	100	136	08.93-09.97	■
2.0 (SV41, SV42) (3S-FSE)	-12/96	Gasolina	FWD	1998	103	140	08.93-06.98	■
2.2 (SDV10, SXV10)		Gasolina	FWD	2164	93	126	02.93-08.97	■
2.2 (SXV10_, SXV10R) (5S-FE)		Gasolina	FWD	2164	100	136	06.91-07.96	■
2.2 (SXV10_) (5S-FE)		Gasolina	FWD	2164	101	137	06.91-09.97	■
2.5 (VZV32_, VZV32R)		Gasolina	FWD	2497	129	175	06.91-07.94	■

LISTA DE APLICACIONES - BUYERS GUIDE

2.2 TD (CV40)		Diesel	FWD	2184	67	91	06.94-06.98	■	
CARINA VII (_T21_) 08.96-08.01					Saloon (Compact car-C Segment)				
1.5 (AT212)		Gasolina	FWD	1498	74	101	08.96-08.01	■	
CARINA E VI (_T19_) 04.92-09.97					Hatchback (Compact car-C Segment)				
1.6 (AT190) (4A-FE)		Gasolina	FWD	1587	73	99	12.93-09.97	■	
1.6 16V (AT190_, AT190R) (4A-FE)		Gasolina	FWD	1587	78	106	10.95-09.97	■	
1.6 GLI (AT190) (4A-FE)		Gasolina	FWD	1587	79	107	04.92-09.97	■	
1.6 (AT190) (4A-FE)		Gasolina	FWD	1587	85	116	12.93-09.97	■	
1.8 (AT191) (7A-FE)		Gasolina	FWD	1762	79	107	01.95-09.97	■	
1.8 GL (AT191) (7A-FE)		Gasolina	FWD	1762	92	125	10.94-09.97	■	
2.0 i (ST191) (3S-FE)		Gasolina	FWD	1998	93	126	12.93-09.97	■	
2.0 GLI (ST191) (3S-FE)		Gasolina	FWD	1998	98	133	04.92-09.97	■	
2.0 GTi (ST191) (3S-GE)		Gasolina	FWD	1998	116	158	04.92-02.94	■	
2.0 GTi 16V (ST191_, ST191R) (3S-GE)	01/96-	Gasolina	FWD	1998	129	175	03.94-09.97	■	
2.0 D (CT190) (2C)		Diesel	FWD	1974	54	73	04.92-01.96	■	
2.0 TD (CT190) (2C-T)		Diesel	FWD	1974	61	83	01.96-09.97	■	
CARINA E VI (_T19_) 04.92-09.97					Saloon (Compact car-C Segment)				
1.5 SG (AT192_, AT192R)		Gasolina	FWD	1498	77	105	04.92-09.97	■	
1.6 (AT190) (4A-FE)		Gasolina	FWD	1587	73	99	01.95-09.97	■	
1.6 (AT190) (4A-FE)		Gasolina	FWD	1587	78	106	10.95-09.97	■	
1.6 (AT190) (4A-FE)		Gasolina	FWD	1587	79	107	01.93-09.97	■	
1.6 16V (AT190_, AT190R) (4A-FE)		Gasolina	FWD	1587	85	116	12.94-09.97	■	
1.8 i 16V (AT191) (7A-FE)		Gasolina	FWD	1762	79	107	01.95-09.97	■	
1.8		Gasolina	FWD	1762	85	116	04.92-09.97	■	
1.8 GL (AT191) (7A-FE)		Gasolina	FWD	1762	92	125	10.94-09.97	■	
2.0 i (ST191) (3S-FE)		Gasolina	FWD	1998	93	126	12.92-09.97	■	
2.0 (ST191) (3S-FE)		Gasolina	FWD	1998	98	133	01.93-09.97	■	
2.0 GTi (ST191_, ST191R) (3S-GE)		Gasolina	FWD	1998	116	158	04.92-12.95	■	
2.0 GTi 16V (ST191_, ST191R) (3S-GE)	01/96-	Gasolina	FWD	1998	129	175	03.94-09.97	■	
2.0 D (CT190) (2C)		Diesel	FWD	1974	54	73	08.92-01.96	■	
2.0 TD (CT190_, CT190R) (2C-T)		Diesel	FWD	1974	61	83	01.96-09.97	■	
CARINA E VI Sports Wagon (_T19_) 02.92-09.97					Estate (Compact car-C Segment)				
1.6 i (AT190_, AT190R) (4A-FE)		Gasolina	FWD	1587	73	99	02.95-09.97	■	
1.6 GLI (AT190_, AT190R) (4A-FE)		Gasolina	FWD	1587	79	107	01.93-09.97	■	
1.6 (AT190) (4A-FE)		Gasolina	FWD	1587	85	115	04.92-09.97	■	
1.8 i (AT191_, AT191R) (7A-FE)		Gasolina	FWD	1762	79	107	02.95-09.97	■	
1.8 GL (AT191) (7A-FE)		Gasolina	FWD	1762	92	125	10.94-09.97	■	
2.0 i (ST191_, ST191R) (3S-FE)		Gasolina	FWD	1998	93	126	05.95-09.97	■	
2.0 GLI (ST191_, ST191R) (3S-FE)		Gasolina	FWD	1998	98	133	01.93-09.97	■	
2.0 D (CT190_, CT190R) (2C)		Diesel	FWD	1974	54	73	01.93-09.97	■	
2.0 TD (CT190_, CT190R) (2C-T)		Diesel	FWD	1974	61	83	01.96-09.97	■	
CELICA VI (_T20_) 09.93-11.99					Coupe (Sports car-S Segment)				
1.8 i 16V (AT200) (7A-FE)		Gasolina	FWD	1762	85	116	11.93-11.99	■	
CHASER V (_X9_) 10.92-09.96					Saloon (Executive car-E Segment)				
1.8		Gasolina	FWD	1762	94	128	10.93-08.96	■	
1.8 (SX90)		Gasolina	FWD	1838	88	120	10.92-09.96	■	
2.0 VVTi (GX90) (1G-FE)		Gasolina	RWD	1988	99	135	10.92-08.96	■	
2.0		Gasolina	FWD	1988	110	150	10.92-08.96	■	
2.4 D		Diesel	RWD	2446	63	86	10.92-08.96	■	

LISTA DE APLICACIONES - BUYERS GUIDE

2.4 TD		Diesel	RWD	2446	69	94	10.92-08.96	■	
2.4 TD (LX90)		Diesel	RWD	2446	71	97	10.92-09.96	■	
CHASER VI (_X10_) 09.96-05.01							Saloon (Executive car-E Segment)		
1.8 (SX100_) (4S-FE)		Gasolina	RWD	1838	88	120	09.96-05.01	■	
2.0 (GX100_, GX100) (1G-FE)		Gasolina	RWD	1988	99	135	09.96-05.01	■	
2.0 (GX100_) (1G-FE)		Gasolina	RWD	1988	118	160	09.96-05.01	■	
2.2		Gasolina	FWD	2164	96	131	10.96-05.01	■	
2.5 (JZX100_, JZX100) (1JZ-GE)		Gasolina	RWD	2491	147	200	10.96-05.01	■	
2.4 TD (LX100_, LX100) (2L-TE)		Diesel	RWD	2446	71	97	09.96-07.99	■	
COROLLA VI (_E9_) 05.87-04.97							Hatchback (Compact executive car-D Segment)		
1.6 EFi (AE92, AE93) (4A-GE)		Gasolina	FWD	1587	85	116	05.92-04.97	■	
COROLLA VII (_E10_) 09.91-04.98							Estate (Compact executive car-D Segment)		
1.3 12V (EE100_, EE100R) (2E)		Gasolina	FWD	1296	53	72	07.92-05.95	■	
1.3 XLI (EE101_, EE101R) (4E-FE)		Gasolina	FWD	1332	55	75	09.95-04.97	■	
1.3 XLI 16V (EE101_, EE101R) (4E-FE)		Gasolina	FWD	1332	65	88	07.92-09.95	■	
1.6		Gasolina	FWD	1587	76	103	07.92-07.95	■	
1.6 Si (AE101_, AE101R) (4A-FE)	-12/95	Gasolina	FWD	1587	84	114	07.92-04.97	■	
1.8 (AE103) (7A-FE)	-12/95	Gasolina	FWD	1762	81	110	09.92-04.97	■	
1.8 16V 4WD (AE103_, AE103) (7A-FE)	-12/95	Gasolina	4WD	1762	81	110	09.95-04.97	■	
1.8 XL		Gasolina	FWD	1762	88	120	09.92-11.93	■	
1.8 XL 4WD		Gasolina	4WD	1762	88	120	09.92-11.93	■	
1.8	-12/95	Gasolina	FWD	1838	92	125	08.95-04.97	■	
2.0 D (CE100_, CE100R) (2C)	-12/95	Diesel	FWD	1974	53	72	07.92-04.97	■	
COROLLA VII (_E10_) 05.92-12.99							Hatchback (Compact executive car-D Segment)		
1.3 12V (EE100_, EE100R) (2E)		Gasolina	FWD	1296	53	72	07.92-05.95	■	
1.3 XLI (EE101_, EE101R) (4E-FE)	-12/95	Gasolina	FWD	1332	65	88	07.92-04.97	■	
1.6 GLI (AE101_, AE101R) (4A-FE)	-12/95	Gasolina	FWD	1587	84	114	07.92-04.97	■	
1.8 GT (AE102_, AE102R) (7A-FE)		Gasolina	FWD	1762	86	117	11.92-05.95	■	
1.8 GTI		Gasolina	FWD	1762	92	125	05.92-07.95	■	
2.0 D (CE100_, CE100R) (2C)	-12/95	Diesel	FWD	1974	53	72	07.92-04.97	■	
COROLLA VII (_E10_) 06.91-11.99							Saloon (Compact executive car-D Segment)		
1.3 12V (EE100_, EE100R) (2E)		Gasolina	FWD	1296	53	72	07.92-04.97	■	
1.3 XLI (EE101_, EE101R) (4E-FE)	-12/95	Gasolina	FWD	1332	55	75	09.95-04.97	■	
1.3 XLI 16V (EE101) (4E-FE)		Gasolina	FWD	1332	65	88	07.92-09.95	■	
1.6 (AE101) (4A-FE)		Gasolina	FWD	1587	76	103	09.91-07.95	■	
1.6 (AE101_, AE101R) (4A-F)		Gasolina	FWD	1587	78	106	09.94-12.97	■	
1.6 (AE101_, AE101R) (4A-FE)		Gasolina	FWD	1587	78	106	09.94-12.97	■	
1.6 Si (AE101_, AE101R) (4A-FE)	-12/95	Gasolina	FWD	1587	84	114	09.95-04.97	■	
1.6 (AE101_, AE101R) (4A-FE)		Gasolina	FWD	1587	85	115	05.92-04.97	■	
1.6 i 20V (AE101)		Gasolina	FWD	1587	117	159	06.91-08.98	■	
1.8 i (AE102) (7A-FE)		Gasolina	FWD	1762	85	116	11.92-04.97	■	
1.8 4WD		Gasolina	4WD	1762	88	120	05.92-07.95	■	
2.0 D (CE100_, CE100R) (2C)	-12/95	Diesel	FWD	1974	53	72	07.92-04.97	■	
COROLLA VII Compact / COROLLA SECCA (_E10_) 05.92-12.99							Hatchback (Compact executive car-D Segment)		
1.3 12V (EE100_, EE100R) (2E)		Gasolina	FWD	1296	53	72	07.92-05.95	■	
1.3 XLI (EE101_, EE101R) (4E-FE)	-12/95	Gasolina	FWD	1332	55	75	08.95-04.97	■	
1.3 XLI 16V (EE101) (4E-FE)		Gasolina	FWD	1332	65	88	07.92-09.95	■	
1.6 i (AE101) (4A-FE)		Gasolina	FWD	1587	78	106	09.94-11.99	■	

LISTA DE APLICACIONES - BUYERS GUIDE

1.6 Si (AE101_, AE101R) (4A-FE)	-12/95	Gasolina	FWD	1587	84	114	07.92-04.97	■	
1.8 GT (AE102_, AE102R) (7A-FE)		Gasolina	FWD	1762	86	117	11.92-05.95	■	
1.8 GTi 4WD (AE103) (7A-FE)		Gasolina	4WD	1762	92	125	05.92-07.95	■	
2.0 D (CE100_, CE100R) (2C)	-12/95	Diesel	FWD	1974	53	72	07.92-04.97	■	
COROLLA VII LEVIN (_E10_) 06.91-08.97					Coupe (Compact executive car-D Segment)				
1.5 S	-12/95	Gasolina	FWD	1497	73	99	06.91-08.97	■	
1.6 GT (AE101) (4A-FE)	-12/95	Gasolina	FWD	1587	85	116	06.91-08.97	■	
1.6 GT-Z (AE101) (4A-GZE)	-12/95	Gasolina	FWD	1587	125	170	06.91-08.97	■	
COROLLA VIII (_E11_) 09.00-10.01					Estate Van (LCVs-N1 Segment)				
2.0 D4d (CDE110) (1CD-FTV)		Diesel	FWD	1995	66	90	09.00-10.01	■	
COROLLA VIII (_E11_) 04.97-10.01					Estate (Compact executive car-D Segment)				
1.4 (EE111_, EE111R) (4E-FE)	not heavy duty chas.	Gasolina	FWD	1332	63	86	04.97-02.00	■	
1.4 16V (ZZE111_, ZZE111R) (4ZZ-FE)	not heavy duty chas.	Gasolina	FWD	1398	71	97	02.00-10.01	■	
1.6 Aut. (AE111_, AE111R) (4A-FE)	not heavy duty chas.	Gasolina	FWD	1587	79	107	04.97-02.00	■	
1.6 (AE111_, AE111R) (4A-FE)		Gasolina	FWD	1587	81	110	04.97-02.00	■	
1.6 16V (ZZE112_, ZZE112R) (3ZZ-FE)	not heavy duty chas.	Gasolina	FWD	1598	81	110	02.00-10.01	■	
1.8 (7A-FE)		Gasolina	FWD	1762	81	110	10.97-10.01	■	
1.8 4WD (AE115_, AE115R) (7A-FE)	-12/00	Gasolina	4WD	1762	81	110	04.97-10.01	■	
1.9 D (WZE110_, WZE110R) (1WZ)		Diesel	FWD	1867	51	69	02.00-10.01	■	
2.0 D (CE110_, CE110R) (2C-E)		Diesel	FWD	1975	53	72	04.97-02.00	■	
2.0 D-4D (CDE110_, CDE110R) (1CD-FTV)		Diesel	FWD	1995	66	90	09.00-10.01	■	
COROLLA VIII (_E11_) 04.97-01.02					Hatchback (Compact executive car-D Segment)				
1.4 (EE111_, EE111R) (4E-FE)		Gasolina	FWD	1332	63	86	05.97-09.99	■	
1.4 (ZZE111_, ZZE111R) (4ZZ-FE)	heavy duty chassis	Gasolina	FWD	1398	71	97	10.99-01.02	■	
1.6 Aut. (AE111_) (4A-FE)	not heavy duty chas.	Gasolina	FWD	1587	79	107	05.97-02.00	■	
1.6 (AE111_, AE111R) (4A-FE)		Gasolina	FWD	1587	81	110	05.97-08.01	■	
1.6 (ZZE112_, ZZE112R) (3ZZ-FE)		Gasolina	FWD	1598	81	110	02.00-01.02	■	
1.8 (AE112)		Gasolina	FWD	1762	85	116	09.98-11.01	■	
1.9 D (WZE110_, WZE110R) (1WZ)		Diesel	FWD	1867	51	69	02.00-01.02	■	
2.0 D (CE110) (2C-E)		Diesel	FWD	1975	53	72	04.97-02.00	■	
2.0 D-4D (CDE110_, CDE110R) (1CD-FTV)		Diesel	FWD	1995	66	90	09.00-01.02	■	
COROLLA VIII (_E11_) 05.95-02.03					Saloon (Compact executive car-D Segment)				
1.3 (EE111_) (4E-FE)		Gasolina	FWD	1332	63	86	05.97-09.99	■	
1.4 (EE111_, EE111R) (4E-FE)		Gasolina	FWD	1332	63	86	05.97-09.99	■	
1.4 16V (ZZE111_, ZZE111R) (4ZZ-FE)		Gasolina	FWD	1398	71	97	02.00-11.01	■	
1.6 Aut. (AE111_, AE111R) (4A-FE)	not heavy duty chas.	Gasolina	FWD	1587	79	107	04.97-02.00	■	
1.6 (AE111) (4A-FE)	not heavy duty chas.	Gasolina	FWD	1587	81	110	05.95-02.00	■	
1.6 i 20V (AE111)		Gasolina	FWD	1587	115	156	08.98-08.00	■	
1.6 16V (ZZE112_, ZZE112R)	not heavy duty chas.	Gasolina	FWD	1598	81	110	08.99-12.01	■	
1.6 16V (ZZE112_, ZZE112R) (3ZZ-FE)	not heavy duty chas.	Gasolina	FWD	1598	81	110	08.99-12.01	■	
1.8 (AE112_) (7A-FE)		Gasolina	FWD	1762	81	110	10.97-10.01	■	
1.8 (AE112) (7A-FE)		Gasolina	FWD	1762	85	116	04.97-06.02	■	
1.9 D (WZE110_, WZE110R) (1WZ)		Diesel	FWD	1867	51	69	02.00-11.01	■	
2.0 D (CE110_, CE110R) (2C-E)		Diesel	FWD	1975	53	72	04.97-02.00	■	
2.0 D-4D (CDE110_, CDE110R) (1CD-FTV)		Diesel	FWD	1995	66	90	09.00-11.01	■	
COROLLA VIII Compact (_E11_) 04.97-01.02					Hatchback (Compact executive car-D Segment)				
1.4 (EE111_, EE111R) (4E-FE)		Gasolina	FWD	1332	63	86	05.97-09.99	■	
1.4 (ZZE111_, ZZE111R) (4ZZ-FE)	heavy duty chassis	Gasolina	FWD	1398	71	97	10.99-01.02	■	

LISTA DE APLICACIONES - BUYERS GUIDE

1.6 Aut. (AE111_, AE111R) (4A-FE)	not heavy duty chas.	Gasolina	FWD	1587	79	107	05.97-02.00	■	
1.6 (AE111_) (4A-FE)		Gasolina	FWD	1587	81	110	05.97-02.00	■	
1.6 (ZZE112_, ZZE112R) (3ZZ-FE)		Gasolina	FWD	1598	81	110	10.99-10.01	■	
1.9 D (WZE110_, WZE110R) (1WZ)		Diesel	FWD	1867	51	69	02.00-01.02	■	
2.0 D (CE110_, CE110R) (2C-E)		Diesel	FWD	1975	53	72	04.97-02.00	■	
2.0 D-4D (CDE110_, CDE110R) (1CD-FTV)		Diesel	FWD	1995	66	90	09.00-01.02	■	
2.0 D-4D		Diesel	RWD	1995	81	110	08.00-10.01	■	
CORONA X (_T19_) 02.92-09.97							Hatchback (Large family car-D Segment)		
1.6		Gasolina	FWD	1587	73	99	02.92-09.97	■	
CORONA X (_T19_) 10.91-04.98							Saloon (Large family car-D Segment)		
1.6 (AT190) (4A-FE)		Gasolina	FWD	1587	73	99	02.92-09.97	■	
1.8 (ST190_, ST190) (4S-FE)		Gasolina	FWD	1838	92	125	10.91-01.96	■	
2.0 (ST191) (3S-FE)		Gasolina	FWD	1998	98	133	10.93-09.95	■	
2.0 GTI		Gasolina	FWD	1998	125	170	10.93-09.95	■	
CORONA XI (_T21_) 09.95-09.03							Saloon (Large family car-D Segment)		
2.0		Gasolina	FWD	1995	96	131	06.97-09.02	■	
2.0 (ST210) (3S-FE)		Gasolina	FWD	1998	92	125	09.96-06.02	■	
2.0 D		Diesel	RWD	1975	64	87	06.97-02.00	■	
CORONA XI PREMIO (_T21_) 01.96-11.01							Saloon (Large family car-D Segment)		
1.6 (AT210_, AT220_)		Gasolina	FWD	1587	81	110	01.96-11.01	■	
1.8 i 16V (AT211_, AT211)		Gasolina	FWD	1762	85	116	01.96-11.01	■	
2.0 (ST210) (3S-FSE)		Gasolina	FWD	1998	107	145	09.96-05.01	■	
2.0 TD		Diesel	RWD	1974	65	88	01.96-12.97	■	
2.2 TD		Diesel	RWD	2184	69	94	01.98-05.01	■	
2.2 TD		Diesel	RWD	2184	69	94	01.98-05.01	■	
CRESTA V (_X10_) 10.96-09.01							Estate (Executive car-E Segment)		
2.2 TD		Diesel	RWD	2184	66	90	10.96-09.01	■	
CRESTA V (_X10_) 10.96-09.01							Saloon (Executive car-E Segment)		
2.0 (GX100)		Gasolina	RWD	1988	103	140	10.96-06.01	■	
2.0 (GX100) (1G-GE)		Gasolina	RWD	1988	118	160	10.96-09.01	■	
2.0 VVTi 24V (GX100) (1G-FE)		Gasolina	RWD	1988	118	160	10.96-09.01	■	
2.0 VVTi 4WD		Gasolina	FWD	1988	118	160	10.96-06.01	■	
2.2 TD		Diesel	RWD	2184	66	90	10.96-09.01	■	
2.4 TD (LX100) (2L-TE)		Diesel	RWD	2446	71	97	10.96-06.01	■	
CROWN XI / ROYAL (_S17_) 09.99-05.04							Saloon (Luxury car-F Segment)		
2.4 D		Diesel	RWD	2446	67	91	09.99-07.02	■	
CURREN (ST20_) 11.93-10.98							Coupe (Compact car-C Segment)		
1.8 (AT200) (7A-FE)		Gasolina	FWD	1762	85	116	11.93-10.98	■	
2.0 (ST206, ST207) (3S-FE)		Gasolina	FWD	1998	103	140	02.94-07.98	■	
FUN CRUISER 01.94-							Hatchback (Compact SUV-J Segment)		
2.0	01/94-	Gasolina	FWD	1995	93	127	01.94-	■	
GAIA (_M1_) 05.98-08.04							MPV (Large MPV-M1 Segment)		
2.0 VVTi (SXM10G)		Gasolina	FWD	1998	99	135	05.98-03.01	■	
2.0 VVTi 4WD (SXM15) (3S-FE)		Gasolina	4WD	1998	99	135	05.98-07.02	■	
2.0 VVTi (ACM10) (1AZ-FSE)		Gasolina	FWD	1998	112	152	04.01-08.04	■	
2.0 VVTi 4WD (ACM15) (1AZ-FSE)		Gasolina	4WD	1998	112	152	08.02-08.04	■	
2.2 TD (CXM10) (3C-TE)		Diesel	FWD	2184	69	94	05.98-08.04	■	

LISTA DE APLICACIONES - BUYERS GUIDE

MARK II (_X1_, _V2_) 11.83-07.01						Estate (Executive car-E Segment)			
2.2		Gasolina	FWD	2164	96	131	08.96-07.01	■	
2.5 (MCV21) (2MZ-FE)		Gasolina	FWD	2497	147	200	08.96-07.01	■	
MARK II 04.88-09.96						Saloon (Executive car-E Segment)			
2.0 (GX90)		Gasolina	RWD	1988	100	136	10.92-09.96	■	
2.0 VVTi (GX100) (1G-FE)		Gasolina	RWD	1988	118	160	10.96-09.01	■	
PICNIC III / IPSUM (_XM1_) 05.96-12.01						MPV (Large MPV-M1 Segment)			
2.0 (SXM10_, SXM10G) (3S-FE)		Gasolina	FWD	1998	90	122	06.00-12.01	■	
2.0 16V (SXM10_, SXM10G) (3S-FE)		Gasolina	FWD	1998	94	128	08.96-09.00	■	
2.0 (SXM10G) (3S-FE)		Gasolina	FWD	1998	99	135	09.96-05.01	■	
2.0 4WD (SXM15)		Gasolina	4WD	1998	99	135	09.96-05.01	■	
2.0 (SXM10_, SXM10G) (3S-FE)	Germany	Gasolina	FWD	1998	100	136	05.96-04.01	■	
2.2 D (CMX10_, CXM10G) (3C-TE)		Diesel	FWD	2184	66	90	08.97-12.01	■	
RAV 4 (_A1_) 01.94-12.03						SUV (Compact SUV-J Segment)			
Electric EV		Gasolina	FWD		45	61	06.95-09.99	■	
2.0		Gasolina	FWD	1998	89	121	09.95-12.97	■	
2.0 4WD (SXA10) (3S-FE)		Gasolina	4WD	1998	94	129	12.97-06.00	■	
2.0 4WD (SXA10, SXA11) (3S-FE)		Gasolina	4WD	1998	94	128	07.96-06.00	■	
2.0 (3S-FE)		Gasolina	FWD	1998	95	129	09.97-09.00	■	
2.0 4WD (SXA10, SXA11) (3S-FE)		Gasolina	4WD	1998	95	129	06.94-06.00	■	
2.0 (SXA15G, SXA16_, SXA16G) (3S-FE)		Gasolina	FWD	1998	99	135	06.97-09.99	■	
2.0 4WD (SXA10) (3S-FE)		Gasolina	4WD	1998	99	135	01.94-09.99	■	
2.0		Gasolina	FWD	1998	121	165	01.94-09.99	■	
RAV4 (U.S.A.) 09.95-12.06						Closed Off-Road Vehicle (Compact SUV-J Segment)			
Electric		Gasolina	FWD			68	09.00-12.03	■	
Electric		Gasolina	FWD			68	09.00-12.03	■	
SCEPTER (_V15_) 10.93-07.96						Coupe (Executive car-E Segment)			
2.2		Gasolina	FWD	2164	100	136	10.93-06.96	■	
SCEPTER 11.92-09.96						Estate (Executive car-E Segment)			
2.0		Gasolina	FWD	1998	88	120	11.92-09.96	■	
2.2 (SXV15)		Gasolina	FWD	2164	100	136	11.92-09.96	■	
2.5		Gasolina	FWD	2497	129	175	11.94-09.96	■	
2.0 TD		Diesel	RWD	1974	62	84	11.92-09.96	■	
SCEPTER 11.92-09.96						Saloon (Executive car-E Segment)			
2.0		Gasolina	FWD	1998	88	120	11.92-09.96	■	
2.2 (SXV10) (5S-FE)		Gasolina	FWD	2164	100	136	11.92-09.96	■	
2.0 TD		Diesel	RWD	1974	62	84	11.92-09.96	■	
SOLARA (_V2_) 03.98-12.03						Convertible (Executive car-E Segment)			
2.2 (SXV20_)	-12/00	Gasolina	FWD	2164	100	136	02.00-11.02	■	
SOLARA (_V2_) 06.98-12.03						Coupe (Executive car-E Segment)			
2.2 (SXV20) (5S-FE)	-12/00	Gasolina	FWD	2164	100	136	06.98-06.01	■	
SPRINTER VII (_E1_) 06.91-11.02						Saloon (Compact executive car-D Segment)			
1.3	-12/97	Gasolina	FWD	1332	65	88	06.91-11.00	■	
1.5		Gasolina	FWD	1498	105	143	06.91-08.97	■	
1.6 (AE101_, AE101) (4A-FE)		Gasolina	FWD	1587	81	110	06.91-12.00	■	
1.6	-12/97	Gasolina	FWD	1587	100	136	04.95-11.00	■	
1.6		Gasolina	FWD	1587	136	185	06.91-08.97	■	

LISTA DE APLICACIONES - BUYERS GUIDE

1.6		Gasolina	FWD	1587	170	231	06.91-08.97	■	
1.8		Gasolina	FWD	1762	81	110	11.92-04.97	■	
1.8	-12/97	Gasolina	FWD	1838	92	125	04.95-11.02	■	
1.8 D		Diesel	RWD	1868	50	68	11.96-04.97	■	
2.0 D (CE100, CE110) (2C)		Diesel	FWD	1974	54	73	06.91-11.00	■	
2.2 TD	-12/97	Diesel	RWD	2184	66	90	04.95-11.02	■	
SPRINTER VII CIELO (_E1_) 06.91-11.02							Hatchback (Compact executive car-D Segment)		
1.3	-12/97	Gasolina	FWD	1332	65	88	06.92-11.00	■	
1.5		Gasolina	FWD	1498	77	105	06.92-07.97	■	
1.6		Gasolina	FWD	1587	81	110	06.92-04.97	■	
1.6	-12/97	Gasolina	FWD	1587	100	136	04.95-11.00	■	
1.6		Gasolina	FWD	1587	136	185	05.92-07.97	■	
1.6		Gasolina	FWD	1587	170	231	05.92-07.97	■	
1.8		Gasolina	FWD	1762	81	110	11.92-04.97	■	
1.8	-12/97	Gasolina	FWD	1838	92	125	04.95-11.02	■	
2.0 D (CE106) (2C)		Diesel	FWD	1974	54	73	04.95-11.00	■	
SPRINTER CARIB VI (_E9_) 11.87-07.95							Estate (Compact executive car-D Segment)		
1.6	01/92-	Gasolina	FWD	1587	82	111	09.88-07.95	■	
SPRINTER CARIB VII (AE11_) 06.92-11.02							Estate (Compact executive car-D Segment)		
1.3		Gasolina	FWD	1332	65	88	06.92-04.97	■	
1.8		Gasolina	FWD	1762	81	110	11.92-04.97	■	
1.8		Gasolina	FWD	1762	85	116	08.95-10.01	■	
1.8		Gasolina	FWD	1762	85	116	08.95-10.01	■	
1.8 5D	01/94-	Gasolina	FWD	1795			08.95-	■	
1.8	-12/97	Gasolina	FWD	1838	92	125	04.95-11.02	■	
1.8 D		Diesel	RWD	1868	50	68	11.96-04.97	■	
VISTA III-IV (_V3_, _V4_) 07.90-06.98							Saloon (Executive car-E Segment)		
2.0 (SV41_, SV42_, SV43_) (3S-FE)		Gasolina	FWD	1998	96	131	01.94-05.98	■	
2.0 4WD (3S-FE)		Gasolina	4WD	1998	96	131	01.94-05.98	■	
2.2	-12/96	Gasolina	FWD	2164	100	136	07.90-09.97	■	
2.0 D (CV30_, CV30)		Diesel	FWD	1974	62	84	07.90-06.94	■	
2.2 TD (CV40_) (3C-T)		Diesel	FWD	2184	66	90	01.94-05.98	■	
VISTA V (_V5_) 06.98-08.03							Saloon (Executive car-E Segment)		
1.8 (ZZV50) (1ZZ-FE)	-12/01	Gasolina	FWD	1794	96	131	06.98-08.03	■	
2.0 (SV50) (3S-FSE)	-12/01	Gasolina	FWD	1998	107	145	06.98-08.03	■	
2.0	-12/01	Gasolina	FWD	1998	112	152	06.98-08.03	■	
2.0 (AZV50) (1AZ-FE)	-12/01	Gasolina	FWD	1998	112	152	06.98-08.03	■	
2.0 (AZV50) (1AZ-FSE)	-12/01	Gasolina	FWD	1998	112	152	06.98-08.03	■	