

# LISTA DE APLICACIONES - BUYERS GUIDE

## 181012-700

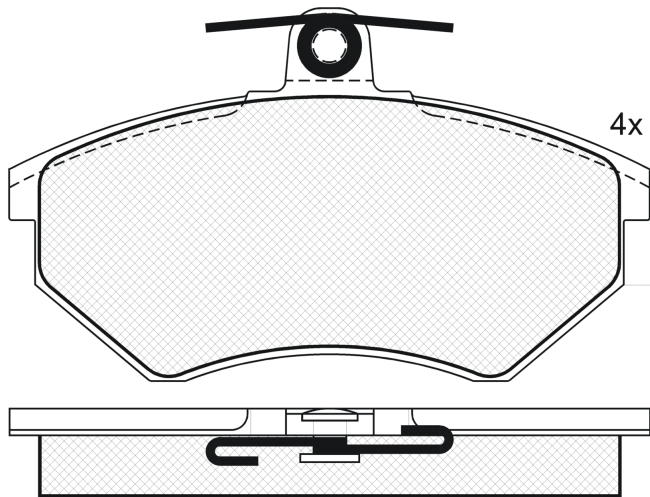


8 424073 052735

Qty: 300

Weight: 1.315

O.E.M.	MAKE
357 698 151 H	SEAT
86 60 004 677	RENAULT
86 71 016 619	RENAULT
JZW 698 151 F	VW



## 181012-700

E1 90R-01101/081



Lucas - Girling

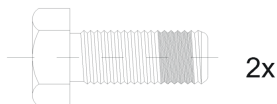
118.9x69.6x16.3

WVA	FMSI
20167	D696-7570
20168	

MAKE
SEAT
VW

## 181012-700



1-690022



Trac.	CC	Kw	CV
-------	----	----	----



Front / Rear

### SEAT

#### CORDOBA (6K1, 6K2) 02.93-12.02

#### Saloon (Supermini car-B Segment)

Model	Year	Fuel	Trac.	CC	Kw	CV	Period	Icon
1.8 i 16V (ADL)		Gasolina	FWD	1781	95	129	10.93-08.96	■
1.8 T 20V Cupra (AQX)		Gasolina	FWD	1781	115	156	07.00-10.02	■
1.8 T 20V Cupra (AYP)		Gasolina	FWD	1781	115	156	07.00-10.02	■
2.0 i (2E)	-12/96	Gasolina	FWD	1984	85	115	02.93-06.99	■
2.0 i (AGG)	-12/96	Gasolina	FWD	1984	85	115	02.93-06.99	■

#### IBIZA II (6K1) 03.93-05.02

#### Hatchback (Supermini car-B Segment)

Model	Year	Fuel	Trac.	CC	Kw	CV	Period	Icon
1.8 i 16V (ADL)		Gasolina	FWD	1781	95	129	11.93-08.96	■
1.8 T 20V Cupra (AQX)		Gasolina	FWD	1781	115	156	07.00-02.02	■
1.8 T 20V Cupra (AYP)		Gasolina	FWD	1781	115	156	07.00-02.02	■
2.0 i (2E)	01/94-	Gasolina	FWD	1984	85	115	03.93-08.99	■
2.0 i (AGG)	01/94-	Gasolina	FWD	1984	85	115	03.93-08.99	■

#### INCA (6K9) 11.95-11.03

#### Estate Van (Supermini car-B Segment)

Model	Year	Fuel	Trac.	CC	Kw	CV	Period	Icon
1.7 D (AHB)		Diesel	FWD	1715	42	57	09.96-06.03	■

#### TOLEDO (1L2) 01.91-10.99

#### Hatchback (Compact car-C Segment)

Model	Year	Fuel	Trac.	CC	Kw	CV	Period	Icon
1.8 16V (PL)	-12/94	Gasolina	FWD	1781	92	125	05.91-03.99	■
1.8 16V (KR)	-12/94	Gasolina	FWD	1781	98	133	05.91-03.99	■
1.8 GT		Gasolina	FWD	1781	102	139	05.91-11.92	■
2.0 i (2E)	-12/95	Gasolina	FWD	1984	85	115	05.91-03.99	■
2.0 i (AGG)	-12/95	Gasolina	FWD	1984	85	115	05.91-03.99	■
1.9 TDI (1Z)	01/96-	Diesel	FWD	1896	66	90	08.95-03.99	■
1.9 TDI (AHU)	01/96-	Diesel	FWD	1896	66	90	08.95-03.99	■

# LISTA DE APLICACIONES - BUYERS GUIDE

## VW

					<b>Hatchback (Compact car-C Segment)</b>				
<b>GOLF II (19E, 1G1) 08.83-12.92</b>									
1.8 GTI 16V (PL)	01/88-	Gasolina	FWD	1781	95	129	02.86-10.91	■	
1.8 GTI 16V (KR)	01/88-	Gasolina	FWD	1781	102	139	02.86-06.90	■	
					<b>Hatchback (Compact car-C Segment)</b>				
<b>GOLF III (1H1) 10.89-11.00</b>									
1.6 (AEK)	-12/96	Gasolina	FWD	1595	74	101	07.95-08.97	■	
1.6 (AFT)	-12/96	Gasolina	FWD	1595	74	101	07.95-08.97	■	
1.6 (AKS)	-12/96	Gasolina	FWD	1595	74	101	07.95-08.97	■	
1.6 (ABU)		Gasolina	FWD	1598	55	75	09.92-08.97	■	
1.6 (AEA)		Gasolina	FWD	1598	55	75	09.92-08.97	■	
1.6 (AEE)		Gasolina	FWD	1598	55	75	09.92-08.97	■	
2.0 GL (AEP)	-12/96	Gasolina	FWD	1984	79	107	08.95-09.97	■	
2.0 (2E)	-12/96	Gasolina	FWD	1984	85	115	11.91-08.97	■	
2.0 (ABA)	-12/96	Gasolina	FWD	1984	85	115	11.91-08.97	■	
2.0 (ADC)	-12/96	Gasolina	FWD	1984	85	115	11.91-08.97	■	
2.0 (ADY)	-12/96	Gasolina	FWD	1984	85	115	11.91-08.97	■	
2.0 (AGG)	-12/96	Gasolina	FWD	1984	85	115	11.91-08.97	■	
2.0 (AKR)	-12/96	Gasolina	FWD	1984	85	115	11.91-08.97	■	
2.0 Syncro (1HX1) (AGG)	-12/96	Gasolina	4WD	1984	85	115	08.95-08.97	■	
1.9 TDI (AFN)		Diesel	FWD	1896	81	110	04.96-08.97	■	
					<b>Convertible (Compact car-C Segment)</b>				
<b>GOLF III / CABRIO III (1E7) 07.93-05.98</b>									
1.6 (AEK)		Gasolina	FWD	1595	74	101	10.94-02.98	■	
1.6 (AFT)		Gasolina	FWD	1595	74	101	10.94-02.98	■	
1.6 (AKS)		Gasolina	FWD	1595	74	101	10.94-02.98	■	
1.8 (AAM)		Gasolina	FWD	1781	55	75	07.93-05.98	■	
1.8 (ABS)		Gasolina	FWD	1781	66	90	07.93-05.98	■	
1.8 (ADZ)		Gasolina	FWD	1781	66	90	07.93-05.98	■	
2.0 (2E)		Gasolina	FWD	1984	85	115	07.93-05.98	■	
2.0 (ABA)		Gasolina	FWD	1984	85	115	07.93-05.98	■	
2.0 (ADY)		Gasolina	FWD	1984	85	115	07.93-05.98	■	
2.0 (AGG)		Gasolina	FWD	1984	85	115	07.93-05.98	■	
2.0 (AKR)		Gasolina	FWD	1984	85	115	07.93-05.98	■	
1.9 TDI (1Z)	-12/96	Diesel	FWD	1896	66	90	08.95-05.98	■	
1.9 TDI (AHU)	-12/96	Diesel	FWD	1896	66	90	08.95-05.98	■	
1.9 TDI (ALE)	-12/96	Diesel	FWD	1896	66	90	08.95-05.98	■	
1.9 TDI (AFN)		Diesel	FWD	1896	81	110	07.96-05.98	■	
					<b>Hatchback Van (Compact car-C Segment)</b>				
<b>GOLF III Van (1H1) 08.91-12.97</b>									
1.6		Gasolina	FWD	1598	55	75	08.92-09.97	■	
					<b>Estate (Compact car-C Segment)</b>				
<b>GOLF III Variant (1H5) 07.93-04.99</b>									
1.6 (AEK)	-12/96	Gasolina	FWD	1595	74	101	07.94-04.99	■	
1.6 (AFT)	-12/96	Gasolina	FWD	1595	74	101	07.94-04.99	■	
1.6 (AKS)	-12/96	Gasolina	FWD	1595	74	101	07.94-04.99	■	
2.0 (AEP)		Gasolina	FWD	1984	79	107	08.95-04.96	■	
2.0 (2E)	01/94-	Gasolina	FWD	1984	85	115	07.93-04.99	■	
2.0 (ADY)	01/94-	Gasolina	FWD	1984	85	115	07.93-04.99	■	
2.0 (AGG)	01/94-	Gasolina	FWD	1984	85	115	07.93-04.99	■	
2.0 (AKR)	01/94-	Gasolina	FWD	1984	85	115	07.93-04.99	■	
2.0 Syncro (AGG)	-12/96	Gasolina	4WD	1984	85	115	08.95-04.99	■	

# LISTA DE APLICACIONES - BUYERS GUIDE

<b>GOLF IV / CABRIO IV (1E7) 06.98-12.02</b>					<b>Convertible (Compact car-C Segment)</b>			
1.6 (AFT)		Gasolina	FWD	1595	74	100	06.98-06.02	■
1.6 (AKS)		Gasolina	FWD	1595	74	100	06.98-06.02	■
1.8 (AAM)		Gasolina	FWD	1781	55	75	06.98-06.02	■
1.8 (ANN)		Gasolina	FWD	1781	55	75	06.98-06.02	■
1.8 (ADZ)		Gasolina	FWD	1781	66	90	06.98-06.02	■
1.8 (ANP)		Gasolina	FWD	1781	66	90	06.98-06.02	■
2.0 (ABA)		Gasolina	FWD	1984	85	115	06.98-06.02	■
2.0 (AGG)		Gasolina	FWD	1984	85	115	06.98-06.02	■
2.0 (AKR)		Gasolina	FWD	1984	85	115	06.98-06.02	■
2.0 (ATU)		Gasolina	FWD	1984	85	115	06.98-06.02	■
2.0 (AWF)		Gasolina	FWD	1984	85	115	06.98-06.02	■
2.0 (AWG)		Gasolina	FWD	1984	85	115	06.98-06.02	■
1.9 TDI (AHU)		Diesel	FWD	1896	66	90	06.98-06.02	■
1.9 TDI (ALE)		Diesel	FWD	1896	66	90	06.98-06.02	■
1.9 TDI (AFN)		Diesel	FWD	1896	81	110	06.98-06.02	■
1.9 TDI (AVG)		Diesel	FWD	1896	81	110	06.98-06.02	■
<b>JETTA II (19E, 1G2, 165) 08.83-12.92</b>					<b>Saloon (Compact car-C Segment)</b>			
1.8 16V (PL)	01/88-	Gasolina	FWD	1781	95	129	08.86-10.91	■
1.8 16V (KR)	01/88-	Gasolina	FWD	1781	102	140	06.87-12.89	■
2.0 (9A)		Gasolina	FWD	1984	100	136	08.89-07.92	■
<b>LUPO (6X1, 6E1) 09.98-07.05</b>					<b>Hatchback (City car-A Segment)</b>			
1.4 16V (AHW)		Gasolina	FWD	1390	55	75	09.98-07.05	■
1.4 16V (AKQ)		Gasolina	FWD	1390	55	75	09.98-07.05	■
1.4 16V (APE)		Gasolina	FWD	1390	55	75	09.98-07.05	■
1.4 16V (AUA)		Gasolina	FWD	1390	55	75	09.98-07.05	■
1.4 16V (BBY)		Gasolina	FWD	1390	55	75	09.98-07.05	■
1.4 16V (AFK)		Gasolina	FWD	1390	74	100	08.99-07.05	■
1.4 16V (ANM)		Gasolina	FWD	1390	74	100	08.99-07.05	■
1.4 16V (AQQ)		Gasolina	FWD	1390	74	100	08.99-07.05	■
1.4 16V (AUB)		Gasolina	FWD	1390	74	100	08.99-07.05	■
1.4 FSI (ARR)		Gasolina	FWD	1390	77	105	02.01-07.05	■
1.4 TDI (AMF)		Diesel	FWD	1422	55	75	01.99-07.05	■
<b>PASSAT B2 / CARAT / CORSAR / QUANTUM / SANTANA (32B) 09.79-07.89</b>					<b>Hatchback (Large family car-D Segment)</b>			
2.2 (KV)		Gasolina	FWD	2226	100	136	01.85-03.88	■
<b>PASSAT B2 Variant / CARAT / CORSAR / QUANTUM (33B) 08.80-06.89</b>					<b>Estate (Large family car-D Segment)</b>			
2.2 (KV)		Gasolina	FWD	2226	100	136	01.85-03.88	■
<b>PASSAT B3/B4 (315, 3A5) 08.88-12.96</b>					<b>Estate Van (Large family car-D Segment)</b>			
2.0 (2E)		Gasolina	FWD	1984	85	116	08.91-12.95	■
2.0 Syncro (2E)		Gasolina	4WD	1984	85	116	09.89-10.93	■
<b>PASSAT B3/B4 (3A2, 35I) 02.88-12.97</b>					<b>Saloon (Large family car-D Segment)</b>			
1.8 (PF)	01/90-	Gasolina	FWD	1781	79	107	04.88-07.93	■
1.8 (PB)	01/90-	Gasolina	FWD	1781	82	112	04.88-07.92	■
1.8 16V (KR)		Gasolina	FWD	1781	100	136	04.88-12.89	■
1.8 GL (KR)		Gasolina	FWD	1781	102	139	08.91-09.93	■
1.8 G60 Syncro (PG)		Gasolina	4WD	1781	118	160	08.88-08.96	■
2.0 (AEP)		Gasolina	FWD	1984	79	107	03.95-08.96	■
2.0	01/90-	Gasolina	FWD	1984	81	110	09.89-07.92	■

# LISTA DE APLICACIONES - BUYERS GUIDE

2.0 (2E)		Gasolina	FWD	1984	85	115	02.90-08.96	■	
2.0 (ABA)		Gasolina	FWD	1984	85	115	02.90-08.96	■	
2.0 (ADY)		Gasolina	FWD	1984	85	115	02.90-08.96	■	
2.0 (AGG)		Gasolina	FWD	1984	85	115	02.90-08.96	■	
2.0 Syncro (2E)		Gasolina	4WD	1984	85	115	10.90-08.96	■	
2.0 Syncro (ADY)		Gasolina	4WD	1984	85	115	10.90-08.96	■	
2.0 Syncro (AGG)		Gasolina	4WD	1984	85	115	10.90-08.96	■	
2.0 16V (9A)	01/89-	Gasolina	FWD	1984	100	136	08.88-09.93	■	
<b>PASSAT B3/B4 Variant (3A5, 35I) 02.88-06.97</b>					<b>Estate (Large family car-D Segment)</b>				
1.8 (PF)	01/90-	Gasolina	FWD	1781	79	107	04.88-07.90	■	
1.8 16V (KR)		Gasolina	FWD	1781	100	136	04.88-12.89	■	
1.8 (KR)		Gasolina	FWD	1781	102	139	08.91-09.93	■	
1.8 G60 Syncro (PG)		Gasolina	4WD	1781	118	160	08.88-05.97	■	
2.0 (AEP)		Gasolina	FWD	1984	79	107	03.95-08.96	■	
2.0 (2E)	-12/96	Gasolina	FWD	1984	85	115	02.90-05.97	■	
2.0 (ADY)	-12/96	Gasolina	FWD	1984	85	115	02.90-05.97	■	
2.0 (AGG)	-12/96	Gasolina	FWD	1984	85	115	02.90-05.97	■	
2.0 (2E)		Gasolina	FWD	1984	85	116	10.93-10.96	■	
2.0 (ADY)		Gasolina	FWD	1984	85	116	10.93-10.96	■	
2.0 (AGG)		Gasolina	FWD	1984	85	116	10.93-10.96	■	
2.0 Syncro (2E)		Gasolina	4WD	1984	85	115	03.90-12.96	■	
2.0 Syncro (ADY)		Gasolina	4WD	1984	85	115	03.90-12.96	■	
2.0 Syncro (AGG)		Gasolina	4WD	1984	85	115	03.90-12.96	■	
2.0 16V (9A)	01/91-	Gasolina	FWD	1984	100	136	08.88-09.93	■	
<b>POLO III (6N2) 10.99-10.01</b>					<b>Hatchback (Supermini car-B Segment)</b>				
1.4 16V (AHW)		Gasolina	FWD	1390	55	75	10.99-09.01	■	
1.4 16V (APE)		Gasolina	FWD	1390	55	75	10.99-09.01	■	
1.4 16V (AUA)		Gasolina	FWD	1390	55	75	10.99-09.01	■	
<b>POLO III VAN (6V5) 12.95-09.01</b>					<b>Estate Van (Supermini car-B Segment)</b>				
1.4 (AUA)		Gasolina	FWD	1390	55	75	06.00-09.01	■	
<b>POLO III CLASSIC / DERBY / FLIGHT (6V2) 01.95-11.09</b>					<b>Saloon (Supermini car-B Segment)</b>				
75 1.4 16V (APE)		Gasolina	FWD	1390	55	75	10.99-09.01	■	
75 1.4 16V (AUA)		Gasolina	FWD	1390	55	75	10.99-09.01	■	
90 1.8 (ABS)		Gasolina	FWD	1781	66	90	01.97-09.01	■	
90 1.8 (ADD)		Gasolina	FWD	1781	66	90	01.97-09.01	■	
90 1.8 (ADZ)		Gasolina	FWD	1781	66	90	01.97-09.01	■	
<b>POLO III Variant (6V5) 04.97-09.01</b>					<b>Estate (Supermini car-B Segment)</b>				
1.4 16V (APE)		Gasolina	FWD	1390	55	75	10.99-09.01	■	
1.4 16V (AUA)		Gasolina	FWD	1390	55	75	10.99-09.01	■	
<b>SCIROCCO II (53B) 08.80-07.92</b>					<b>Coupe (Sport compact car-C Segment)</b>				
1.8 16V (PL)		Gasolina	FWD	1781	95	129	03.86-07.92	■	
1.8 16V (KR)		Gasolina	FWD	1781	102	139	10.85-07.89	■	
<b>VENTO / JETTA III (1H2) 11.91-11.00</b>					<b>Saloon (Compact car-C Segment)</b>				
1.6 (AEK)	01/95-	Gasolina	FWD	1595	74	101	10.94-09.98	■	
1.6 (AFT)	01/95-	Gasolina	FWD	1595	74	101	10.94-09.98	■	
1.8 (ABS)	-12/96	Gasolina	FWD	1781	66	90	11.91-09.98	■	
1.8 (ACC)	-12/96	Gasolina	FWD	1781	66	90	11.91-09.98	■	
1.8 (ADD)	-12/96	Gasolina	FWD	1781	66	90	11.91-09.98	■	

## LISTA DE APLICACIONES - BUYERS GUIDE

1.8 (ADZ)	-12/96	Gasolina	FWD	1781	66	90	11.91-09.98	■
2.0 (2E)	01/94-	Gasolina	FWD	1984	85	115	11.91-09.98	■
2.0 (ABA)	01/94-	Gasolina	FWD	1984	85	115	11.91-09.98	■
2.0 (ADY)	01/94-	Gasolina	FWD	1984	85	115	11.91-09.98	■
2.0 (AGG)	01/94-	Gasolina	FWD	1984	85	115	11.91-09.98	■
2.0 (AKR)	01/94-	Gasolina	FWD	1984	85	115	11.91-09.98	■
1.9 D (1Y)		Diesel	FWD	1896	48	65	11.91-09.98	■
1.9 TDI (1Z)	-12/94	Diesel	FWD	1896	66	90	09.93-09.98	■
1.9 TDI (AHU)	-12/94	Diesel	FWD	1896	66	90	09.93-09.98	■
1.9 TDI (ALE)	-12/94	Diesel	FWD	1896	66	90	09.93-09.98	■