

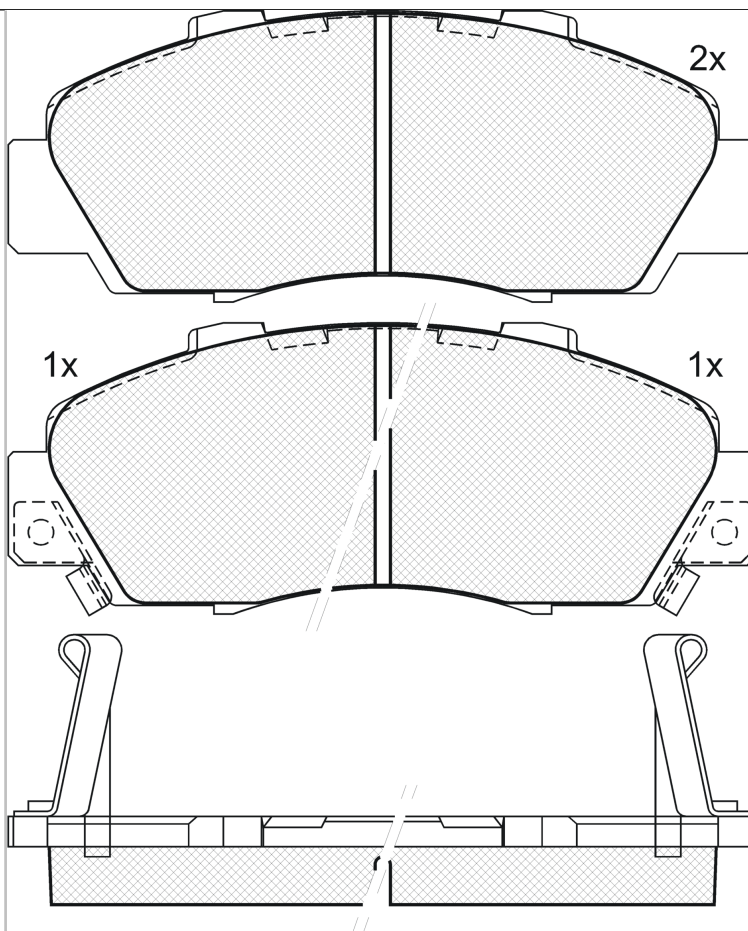
# LISTA DE APLICACIONES - BUYERS GUIDE

## 181019



Qty: 300

Weight: 2.065



## 181019

**E1 90R-01101/103**



Akebono

148.7x57.8x17.5

| O.E.M.        | MAKE  |
|---------------|-------|
| 45022-S10-A00 | HONDA |
| 45022-S10-A02 | HONDA |
| 45022-S10-E50 | HONDA |
| 45022-S10-G00 | HONDA |
| 45022-S10-G01 | HONDA |
| 45022-S10-G02 | HONDA |
| 45022-S1A-E20 | ACURA |
| 45022-S1A-E70 | HONDA |
| 45022-S30-A00 | HONDA |
| 45022-S30-A02 | HONDA |
| 45022-S30-A50 | HONDA |
| 45022-SL0-600 | HONDA |
| 45022-SL0-G00 | ACURA |
| 45022-SL0-G01 | ACURA |
| 45022-SL0-G02 | HONDA |
| 45022-SLR-G01 | HONDA |
| 45022-SLR-G02 | ACURA |
| 45022-SM5-A00 | HONDA |
| 45022-SN7-G50 | HONDA |
| 45022-SP0-E00 | HONDA |
| 45022-SS0-G00 | HONDA |
| 45022-SS0-G01 | HONDA |
| 45022-SS0-G02 | HONDA |
| 45022-ST7-R00 | HONDA |
| 45022-ST7-R01 | HONDA |

| WVA   | FMSI      |
|-------|-----------|
| 21651 | D503-7382 |
| 21652 |           |
| 21653 |           |

| MAKE  |
|-------|
| ACURA |
| HONDA |
| ROVER |



|              |    |    |    |  |  |
|--------------|----|----|----|--|--|
| Trac.        | CC | Kw | CV |  |  |
| Front / Rear |    |    |    |  |  |

### ACURA

| CL 10.96-09.03          |        |          |     |      |     |     | Coupe (Luxury car-F Segment)            |   |  |
|-------------------------|--------|----------|-----|------|-----|-----|---|---|--|
| 2.2                     | 01/97- | Gasolina | FWD | 2156 | 108 | 147 | 10.96-09.97                             | ■ |  |
| 2.3 Vtec                | -12/99 | Gasolina | FWD | 2254 | 112 | 152 | 10.98-09.00                             | ■ |  |
| 3.0 Vtec                | 01/97- | Gasolina | FWD | 2997 | 149 | 203 | 10.96-09.00                             | ■ |  |
| 3.2 Vtec                | 01/01- | Gasolina | FWD | 3210 | 165 | 224 | 10.00-09.03                             | ■ |  |
| INTEGRA III 09.93-09.01 |        |          |     |      |     |     | Coupe (Sport compact car-C Segment)     |   |  |
| 1.8 Sport               |        | Gasolina | FWD | 1797 | 125 | 170 | 10.93-09.01                             | ■ |  |
| 1.8 GS-R                | 01/98- | Gasolina | FWD | 1797 | 147 | 200 | 10.93-09.01                             | ■ |  |
| INTEGRA III 10.93-09.01 |        |          |     |      |     |     | Hatchback (Sport compact car-C Segment) |   |  |
| 1.8 LS                  |        | Gasolina | FWD | 1797 | 125 | 170 | 10.93-09.01                             | ■ |  |
| INTEGRA III 10.93-09.01 |        |          |     |      |     |     | Saloon (Sport compact car-C Segment)    |   |  |
| 1.8 LS                  |        | Gasolina | FWD | 1797 | 125 | 170 | 10.93-09.01                             | ■ |  |
| 1.8 GS-R                | 01/98- | Gasolina | FWD | 1797 | 147 | 200 | 10.93-09.01                             | ■ |  |
| LEGEND 01.87-08.91      |        |          |     |      |     |     | Coupe (Luxury car-F Segment)            |   |  |
| 2.7 (C27A1)             |        | Gasolina | FWD | 2675 | 130 | 177 | 01.87-08.91                             | ■ |  |
| 3.2 24V                 | 01/91- | Gasolina | FWD | 3195 | 151 | 205 | 01.87-                                  | ■ |  |
| LEGEND 01.86-08.91      |        |          |     |      |     |     | Saloon (Luxury car-F Segment)           |   |  |
| 2.0 (C20A)              |        | Gasolina | FWD | 1996 | 107 | 145 | 01.88-08.91                             | ■ |  |
| 2.0 Turbo               |        | Gasolina | FWD | 1996 | 140 | 190 | 01.88-08.91                             | ■ |  |
| LEGEND II 08.91-08.96   |        |          |     |      |     |     | Coupe (Luxury car-F Segment)            |   |  |
| 3.2 (C32A2)             |        | Gasolina | FWD | 3206 | 151 | 205 | 08.91-08.96                             | ■ |  |

# LISTA DE APLICACIONES - BUYERS GUIDE

|  |                  |          |     |      |     |   |             |   |  |
|--|------------------|----------|-----|------|-----|---|-------------|---|--|
| <b>LEGEND II 08.91-08.96</b>               |                  |          |     |      |     | <b>Saloon (Luxury car-F Segment)</b>    |             |   |  |
| 3.2 (C32A)                                 |                  | Gasolina | FWD | 3206 | 151 | 205                                     | 08.91-08.96 | ■ |  |
| <b>LEGEND III 08.96-</b>                   |                  |          |     |      |     | <b>Saloon (Luxury car-F Segment)</b>    |             |   |  |
| 3.5  | -12/97           | Gasolina | FWD | 3474 | 151 | 205                                     | 08.96-      | ■ |  |
| <b>NSX 01.90-12.05</b>                     |                  |          |     |      |     | <b>Coupe (Sports car-S Segment)</b>     |             |   |  |
| R 3.0 (C30A4)                              |                  | Gasolina | RWD | 2977 | 188 | 256                                     | 01.92-08.97 | ■ |  |
| 3.0 (C30A3)                                | -12/95           | Gasolina | RWD | 2977 | 201 | 274                                     | 01.90-08.97 | ■ |  |
| 3.2 (C32B2)                                |                  | Gasolina | RWD | 3179 | 206 | 280                                     | 08.97-12.05 | ■ |  |
| <b>NSX (NA1) 01.95-12.05</b>               |                  |          |     |      |     | <b>Targa (Sports car-S Segment)</b>     |             |   |  |
| T 3.0 (C30A4)                              | -12/96, Type NA2 | Gasolina | RWD | 2977 | 188 | 256                                     | 01.95-12.97 | ■ |  |
| 3.0  |                  | Gasolina | FWD | 2977 | 201 | 273                                     | 01.95-12.96 | ■ |  |
| <b>RL 10.95-09.04</b>                      |                  |          |     |      |     | <b>Saloon (Luxury car-F Segment)</b>    |             |   |  |
| 3.5 (C35A2)                                | 01/96-           | Gasolina | FWD | 3474 | 151 | 205                                     | 10.95-09.00 | ■ |  |
| 3.5 (C35A1)                                |                  | Gasolina | FWD | 3475 | 157 | 214                                     | 10.95-12.01 | ■ |  |
| <b>TL 06.95-09.98</b>                      |                  |          |     |      |     | <b>Saloon (Executive car-E Segment)</b> |             |   |  |
| 2.5  |                  | Gasolina | FWD | 2451 | 132 | 180                                     | 06.95-09.98 | ■ |  |
| 3.2  | 01/96-           | Gasolina | FWD | 3206 | 147 | 200                                     | 06.95-09.98 | ■ |  |
| <b>VIGOR III 09.91-09.94</b>               |                  |          |     |      |     | <b>Saloon (Executive car-E Segment)</b> |             |   |  |
| 2.5 (G25A)                                 |                  | Gasolina | FWD | 2451 | 140 | 190                                     | 09.91-09.94 | ■ |  |
| <b>HONDA</b>                               |                  |          |     |      |     |   |             |   |  |
| <b>ACCORD IV (CB, CC) 05.89-12.93</b>      |                  |          |     |      |     | <b>Coupe (Executive car-E Segment)</b>  |             |   |  |
| 2.0 i 16V (CC1) (F20A7)                    |                  | Gasolina | FWD | 1997 | 98  | 133                                     | 01.92-09.93 | ■ |  |
| <b>ACCORD IV Aerodeck (CB) 09.89-02.94</b> |                  |          |     |      |     | <b>Estate (Executive car-E Segment)</b> |             |   |  |
| 2.0 i 16V (CC9) (F20Z3)                    |                  | Gasolina | FWD | 1997 | 98  | 133                                     | 03.93-12.93 | ■ |  |
| 2.2 i 16V (CB8) (F22A8)                    | -12/92           | Gasolina | FWD | 2156 | 108 | 147                                     | 01.91-12.93 | ■ |  |
| 2.2 i 16V (CB8) (F22A7)                    | -12/92           | Gasolina | FWD | 2156 | 110 | 150                                     | 01.91-12.93 | ■ |  |
| <b>ACCORD V (CD) 04.93-12.98</b>           |                  |          |     |      |     | <b>Coupe (Executive car-E Segment)</b>  |             |   |  |
| 2.0 (CD9) (F20B3)                          |                  | Gasolina | FWD | 1997 | 100 | 136                                     | 09.93-12.97 | ■ |  |
| 2.2 i ES (CD7) (F22B5)                     |                  | Gasolina | FWD | 2156 | 110 | 150                                     | 09.93-02.98 | ■ |  |
| <b>ACCORD V (CC, CD) 06.92-12.97</b>       |                  |          |     |      |     | <b>Saloon (Executive car-E Segment)</b> |             |   |  |
| 1.8 i (CE7) (F18A3)                        |                  | Gasolina | FWD | 1850 | 85  | 116                                     | 02.96-10.98 | ■ |  |
| 1.8 i (CE7) (F18A3)                        |                  | Gasolina | FWD | 1850 | 85  | 116                                     | 02.96-10.98 | ■ |  |
| 2.0 i (CD4) (F20Z2)                        |                  | Gasolina | FWD | 1997 | 85  | 116                                     | 03.93-01.96 | ■ |  |
| 2.0 i LS (CE8) (F20Z1)                     |                  | Gasolina | FWD | 1997 | 96  | 131                                     | 02.96-10.98 | ■ |  |
| 2.0 i S (CD4) (F20Z1)                      |                  | Gasolina | FWD | 1997 | 96  | 131                                     | 03.93-01.96 | ■ |  |
| 2.2 EXi                                    |                  | Gasolina | FWD | 2156 | 103 | 140                                     | 10.93-12.97 | ■ |  |
| 2.2 Vti                                    |                  | Gasolina | FWD | 2156 | 107 | 146                                     | 10.93-12.97 | ■ |  |
| 2.2 i (CD5)                                |                  | Gasolina | FWD | 2156 | 110 | 150                                     | 04.93-06.97 | ■ |  |
| 2.2 i VTEC (CE9) (F22Z2)                   |                  | Gasolina | FWD | 2156 | 110 | 150                                     | 02.96-10.98 | ■ |  |
| 2.3 i SR (CD6) (H23A3)                     |                  | Gasolina | FWD | 2259 | 116 | 158                                     | 03.93-01.96 | ■ |  |
| <b>ACCORD V Aerodeck (CE) 04.93-02.98</b>  |                  |          |     |      |     | <b>Estate (Executive car-E Segment)</b> |             |   |  |
| 2.0 i LS 16V (CE2) (F20B3)                 |                  | Gasolina | FWD | 1997 | 100 | 136                                     | 09.93-02.98 | ■ |  |
| 2.2 i ES (CE1) (F22B5)                     |                  | Gasolina | FWD | 2156 | 110 | 150                                     | 09.93-02.98 | ■ |  |
| <b>ACCORD VI (CG) 12.97-06.03</b>          |                  |          |     |      |     | <b>Coupe (Executive car-E Segment)</b>  |             |   |  |
| 2.0 (F20B7)                                |                  | Gasolina | FWD | 1997 | 107 | 145                                     | 11.99-10.02 | ■ |  |
| 2.0 i 16V (F20B5)                          | -12/02           | Gasolina | FWD | 1997 | 108 | 147                                     | 02.98-06.03 | ■ |  |

# LISTA DE APLICACIONES - BUYERS GUIDE

|   |                        |          |     |      |  |     |             |   |  |
|---|------------------------|----------|-----|------|--|-----|-------------|---|--|
| 2.0 i 16V (F20B7)                                 | -12/02                 | Gasolina | FWD | 1997 | 108  | 147 | 02.98-06.03 | ■ |  |
| 3.0 V6 24V (CG2) (J30A1)                          |                        | Gasolina | FWD | 2997 | 147  | 200 | 02.98-06.03 | ■ |  |
| 3.0 Vtec  |                        | Gasolina | FWD | 2997 | 152  | 207 | 10.01-06.03 | ■ |  |
| <b>ACCORD VI (CK, CG, CH, CF, CL) 03.97-12.03</b> |                        |          |     |      | <b>Saloon (Executive car-E Segment)</b>    |     |             |   |  |
| 2.2 Type-R (CH1) (H22A7)                          |                        | Gasolina | FWD | 2156 | 156  | 212 | 02.99-12.02 | ■ |  |
| 2.3 (CG5, CF9, CF0, CF1, CF2) (F23A1)             |                        | Gasolina | FWD | 2254 | 110  | 150 | 03.97-01.99 | ■ |  |
| 2.3 (CG5, CF9, CF0, CF1, CF2) (F23A2)             |                        | Gasolina | FWD | 2254 | 110  | 150 | 03.97-01.99 | ■ |  |
| 2.4   |                        | Gasolina | FWD | 2354 | 118  | 160 | 01.99-12.99 | ■ |  |
| 3.0 Vtec (CK1, CG1) (J30A1)                       |                        | Gasolina | FWD | 2997 | 147  | 200 | 03.97-12.03 | ■ |  |
| <b>CIVIC VI (MA, MB) 09.94-02.01</b>              |                        |          |     |      | <b>Hatchback (Supermini car-B Segment)</b> |     |             |   |  |
| 1.6 (MB4) (D16W4)                                 |                        | Gasolina | FWD | 1590 | 92   | 125 | 11.98-02.01 | ■ |  |
| 1.6 (MB4) (D16W4)                                 |                        | Gasolina | FWD | 1590 | 92   | 125 | 11.98-03.01 | ■ |  |
| 1.8 16V (MB6) (B18C4)                             |                        | Gasolina | FWD | 1797 | 124  | 169 | 01.97-02.01 | ■ |  |
| <b>CIVIC VI Aerodeck (MB, MC) 04.98-02.01</b>     |                        |          |     |      | <b>Estate (Supermini car-B Segment)</b>    |     |             |   |  |
| 1.8 16V (MC2) (B18C4)                             |                        | Gasolina | FWD | 1797 | 124  | 169 | 04.98-02.01 | ■ |  |
| <b>CR-V (RD) 10.95-07.02</b>                      |                        |          |     |      | <b>SUV (Compact SUV-J Segment)</b>         |     |             |   |  |
| 2.0 16V 4WD (RD1, RD3) (B20B)                     |                        | Gasolina | 4WD | 1973 | 94   | 128 | 10.95-12.01 | ■ |  |
| 2.0 (RD1) (B20Z1)                                 | -12/01, Manual, 5 vel. | Gasolina | 4WD | 1973 | 98   | 133 | 04.99-02.02 | ■ |  |
| 2.0 16V 4WD (RD1, RD3) (B20Z1)                    | -12/01                 | Gasolina | 4WD | 1973 | 108  | 147 | 01.99-02.02 | ■ |  |
| <b>HR-V (GH_) 03.99-</b>                          |                        |          |     |      | <b>SUV (Mini SUV-J Segment)</b>            |     |             |   |  |
| 1.6 16V (GH1, GH3) (D16W1)                        |                        | Gasolina | FWD | 1590 | 77   | 105 | 03.99-      | ■ |  |
| 1.6 16V 4WD (GH2, GH4) (D16W1)                    |                        | Gasolina | 4WD | 1590 | 77   | 105 | 03.99-      | ■ |  |
| 1.6 16V 4WD (GH2, GH4) (D16W5)                    |                        | Gasolina | 4WD | 1590 | 91   | 124 | 10.99-09.05 | ■ |  |
| <b>INSPIRE II / SABER (UA1, UA3) 06.95-08.98</b>  |                        |          |     |      | <b>Saloon (Executive car-E Segment)</b>    |     |             |   |  |
| 2.5 (G25A)  |                        | Gasolina | FWD | 2451 | 132  | 179 | 06.95-08.98 | ■ |  |
| 2.5 GX (CC2) (G25A)                               |                        | Gasolina | FWD | 2451 | 140  | 190 | 06.95-08.98 | ■ |  |
| 3.2 GX (C32A)                                     |                        | Gasolina | FWD | 3206 | 155  | 211 | 06.95-08.98 | ■ |  |
| <b>INSPIRE III / SABER (UA4, UA5) 06.95-08.03</b> |                        |          |     |      | <b>Saloon (Executive car-E Segment)</b>    |     |             |   |  |
| 2.5 GX (UA4) (J25A)                               |                        | Gasolina | FWD | 2495 | 147  | 200 | 06.95-08.03 | ■ |  |
| 3.2 (UA5) (J32A1)                                 |                        | Gasolina | FWD | 3210 | 191  | 260 | 09.98-08.03 | ■ |  |
| <b>INTEGRA III (DC) 07.93-11.01</b>               |                        |          |     |      | <b>Coupe (Sport compact car-C Segment)</b> |     |             |   |  |
| 1.8 VTiR (DC2) (B18C1)                            |                        | Gasolina | FWD | 1797 | 127  | 173 | 07.93-11.99 | ■ |  |
| 1.8 SiR (DC2) (B18C)                              |                        | Gasolina | FWD | 1797 | 132  | 180 | 09.93-08.01 | ■ |  |
| 1.8 Type-R (DC2) (B18C6)                          | 01/98-                 | Gasolina | FWD | 1797 | 140  | 190 | 11.97-10.01 | ■ |  |
| <b>INTEGRA IV (DC5) 08.01-</b>                    |                        |          |     |      | <b>Coupe (Sport compact car-C Segment)</b> |     |             |   |  |
| 2.0 (DC5) (K20A3)                                 |                        | Gasolina | FWD | 1998 | 118  | 160 | 02.02-11.08 | ■ |  |
| 2.0 16V Type-R (DC5) (K20Z1)                      |                        | Gasolina | FWD | 1998 | 162  | 220 | 02.02-10.07 | ■ |  |
| <b>LAGREAT 08.94-10.98</b>                        |                        |          |     |      | <b>MPV (Large MPV-M1 Segment)</b>          |     |             |   |  |
| 2.3   |                        | Gasolina | FWD | 2254 | 102  | 139 | 08.94-10.98 | ■ |  |
| <b>LAGREAT II 11.98-06.02</b>                     |                        |          |     |      | <b>MPV (Large MPV-M1 Segment)</b>          |     |             |   |  |
| 3.5 EX (LARL1) (J35A1)                            | -12/99                 | Gasolina | FWD | 3471 | 151  | 205 | 11.98-06.02 | ■ |  |
| <b>LEGEND II (KA) 01.91-03.96</b>                 |                        |          |     |      | <b>Coupe (Luxury car-F Segment)</b>        |     |             |   |  |
| 3.2 i 24V (KA8) (C32A2)                           |                        | Gasolina | FWD | 3206 | 151  | 205 | 01.91-02.96 | ■ |  |
| <b>LEGEND II (KA) 01.91-03.96</b>                 |                        |          |     |      | <b>Saloon (Luxury car-F Segment)</b>       |     |             |   |  |
| 3.2 i 24V (KA7) (C32A2)                           |                        | Gasolina | FWD | 3206 | 151  | 205 | 01.91-02.96 | ■ |  |

# LISTA DE APLICACIONES - BUYERS GUIDE

| <b>LEGEND III (KA) 02.96-</b>             |        |          |     |      | <b>Saloon (Luxury car-F Segment)</b>       |     |             |   |
|---|--------|----------|-----|------|--|-----|-------------|---|
| 3.5 i 24V (KA9) (C35A2)                   |        | Gasolina | FWD | 3474 | 151  | 205 | 02.96-10.97 | ■ |
| 3.5 i 24V (KA9) (C35A2)                   |        | Gasolina | FWD | 3474 | 153  | 208 | 11.97-09.04 | ■ |
| <b>LEGEND IV (KB_) 10.04-</b>             |        |          |     |      | <b>Saloon (Luxury car-F Segment)</b>       |     |             |   |
| 3.5 V6 4WD (KB1) (J35A8)                  |        | Gasolina | 4WD | 3471 | 217  | 295 | 05.06-12.12 | ■ |
| 3.5 VTEC V6 (KB1) (C35A8)                 | 01/06- | Gasolina | FWD | 3471 | 221  | 300 | 10.04-06.09 | ■ |
| 3.7 VTEC V6 4WD (KB2) (J37A2)             |        | Gasolina | 4WD | 3664 | 217  | 295 | 07.08-12.12 | ■ |
| 3.7 VTEC V6 4WD (KB2) (J37A3)             |        | Gasolina | 4WD | 3664 | 217  | 295 | 07.08-12.12 | ■ |
| 3.7 VTEC V6 4WD (KB2) (J37A2)             |        | Gasolina | 4WD | 3664 | 226  | 307 | 08.08-12.13 | ■ |
| 3.7 VTEC V6 4WD (KB2) (J37A3)             |        | Gasolina | 4WD | 3664 | 226  | 307 | 08.08-12.13 | ■ |
| <b>NSX (NA) 03.95-09.05</b>               |        |          |     |      | <b>Convertible (Sports car-S Segment)</b>  |     |             |   |
| 3.0 24V Vtec Automatic (NA1) (C30A4)      | -12/96 | Gasolina | RWD | 2977 | 188  | 256 | 03.95-09.05 | ■ |
| 3.0 24V Vtec (NA1) (C30A3)                |        | Gasolina | RWD | 2977 | 201  | 274 | 03.95-09.05 | ■ |
| 3.2 24V Vtec (NA2) (C32B2)                |        | Gasolina | RWD | 3179 | 206  | 280 | 01.97-09.05 | ■ |
| <b>NSX (NA) 06.90-09.05</b>               |        |          |     |      | <b>Coupe (Sports car-S Segment)</b>        |     |             |   |
| 3.0 24V Vtec Automatic (NA1) (C30A4)      | -12/96 | Gasolina | RWD | 2977 | 188  | 256 | 06.90-09.05 | ■ |
| 3.0 24V Vtec (NA1) (C30A3)                |        | Gasolina | RWD | 2977 | 201  | 274 | 06.90-09.05 | ■ |
| 3.2 24V Vtec (NA2) (C32B2)                |        | Gasolina | RWD | 3179 | 206  | 280 | 01.97-09.05 | ■ |
| <b>ODYSSEY (RA_) 10.95-10.00</b>          |        |          |     |      | <b>MPV (Large MPV-M1 Segment)</b>          |     |             |   |
| 2.2 (RA1) (F22B6)                         |        | Gasolina | FWD | 2156 | 104  | 141 | 10.95-12.97 | ■ |
| 2.2 16V                                   | 01/95- | Gasolina | FWD | 2195 |  |     | 10.95-      | ■ |
| 2.3 (RA3, RA6) (F23A7)                    |        | Gasolina | FWD | 2254 | 110  | 150 | 10.97-12.99 | ■ |
| 2.3 4x4 (RA4) (F23A)                      | -12/98 | Gasolina | 4WD | 2254 | 110  | 150 | 10.97-12.99 | ■ |
| 2.3 16V 4WD                               | 01/98- | Gasolina | FWD | 2295 | 102  | 139 | 10.95-      | ■ |
| <b>PRELUDE IV (BB_) 12.91-02.97</b>       |        |          |     |      | <b>Coupe (Sport compact car-C Segment)</b> |     |             |   |
| 2.2 i 16V Vtec (BB1) (H22A2)              |        | Gasolina | FWD | 2157 | 136  | 185 | 02.93-09.96 | ■ |
| 2.3 i 16V (BB2) (H23A2)                   |        | Gasolina | FWD | 2259 | 118  | 160 | 02.92-09.96 | ■ |
| <b>PRELUDE V (BB_) 10.96-12.01</b>        |        |          |     |      | <b>Coupe (Sport compact car-C Segment)</b> |     |             |   |
| 2.2 Si (BB5)                              |        | Gasolina | FWD | 2156 | 118  | 160 | 03.97-04.01 | ■ |
| 2.2 16V (BB6, BB8) (H22A2)                |        | Gasolina | FWD | 2156 | 136  | 185 | 10.96-10.00 | ■ |
| 2.2 16V (BB6, BB8) (H22A5)                |        | Gasolina | FWD | 2156 | 136  | 185 | 10.96-10.00 | ■ |
| 2.2 16V (BB6, BB8) (H22A4)                |        | Gasolina | FWD | 2156 | 147  | 200 | 10.96-12.01 | ■ |
| 2.2 16V (BB6, BB8) (H22A5)                |        | Gasolina | FWD | 2156 | 147  | 200 | 10.96-12.01 | ■ |
| 2.2 16V (BB6, BB8) (H22A6)                |        | Gasolina | FWD | 2156 | 147  | 200 | 10.96-12.01 | ■ |
| 2.2 16V (BB6, BB8) (H22A8)                |        | Gasolina | FWD | 2156 | 147  | 200 | 10.96-12.01 | ■ |
| 2.2 16V (BB6, BB8) (H22Z1)                |        | Gasolina | FWD | 2156 | 147  | 200 | 10.96-12.01 | ■ |
| <b>SHUTTLE / ODYSSEY (RA) 06.94-06.04</b> |        |          |     |      | <b>MPV (Compact MPV-M1 Segment)</b>        |     |             |   |
| 2.2 4x4 (RA2) (F22B9)                     |        | Gasolina | 4WD | 2156 | 102  | 139 | 06.94-09.97 | ■ |
| 2.2 16V (RA1) (F22B8)                     |        | Gasolina | FWD | 2156 | 110  | 150 | 10.94-02.98 | ■ |
| 2.3 16V (RA3, RA5) (F23A7)                | -12/02 | Gasolina | FWD | 2254 | 110  | 150 | 10.97-06.04 | ■ |
| 2.3 16V 4x4 (RA4, RA6)                    |        | Gasolina | 4WD | 2254 | 110  | 150 | 10.97-06.02 | ■ |
| 3.0 (RA8) (J30A1)                         | -12/02 | Gasolina | FWD | 2997 | 154  | 209 | 10.97-06.04 | ■ |
| 3.0 4x4 (RA9) (J30A1)                     |        | Gasolina | 4WD | 2997 | 154  | 209 | 10.97-06.02 | ■ |
| 3.5                                       |        | Gasolina | FWD | 3471 | 151  | 205 | 07.02-06.04 | ■ |
| 3.5 ESi                                   |        | Gasolina | FWD | 3471 | 171  | 233 | 07.02-06.04 | ■ |
| <b>SMX (RH) 01.96-09.02</b>               |        |          |     |      | <b>Hatchback (LCVs-N1 Segment)</b>         |     |             |   |
| 2.0 (RH1) (B20B)                          |        | Gasolina | FWD | 1973 | 96   | 131 | 01.96-12.01 | ■ |
| 2.0 4WD (RH2) (B20B)                      |        | Gasolina | 4WD | 1973 | 96   | 131 | 01.96-12.01 | ■ |

# LISTA DE APLICACIONES - BUYERS GUIDE

|  |        |          |     |      |   |     |             |   |  |
|--|--------|----------|-----|------|---|-----|-------------|---|--|
| 2.0 Lowdown (RH1) (B20BI)                      |        | Gasolina | FWD | 1973 | 103   | 140 | 09.99-09.02 | ■ |  |
| <b>STEPWGN (E-RF_, GF-RF_) 05.96-09.00</b>     |        |          |     |      | <b>MPV (Compact MPV-M1 Segment)</b>             |     |             |   |  |
| 2.0 (RF1) (B20B)                               |        | Gasolina | FWD | 1972 | 99  | 135 | 05.96-09.00 | ■ |  |
| <b>STEPWGN II (LA-RF_, UA-RF_) 10.00-09.05</b> |        |          |     |      | <b>MPV (Compact MPV-M1 Segment)</b>             |     |             |   |  |
| 2.0 (RF3, RF5) (K20A9)                         |        | Gasolina | FWD | 1998 | 118   | 160 | 10.00-09.05 | ■ |  |
| <b>STREAM II (RN) 10.05-</b>                   |        |          |     |      | <b>MPV (Compact MPV-M1 Segment)</b>             |     |             |   |  |
| 1.8 Vtec (RN6) (R18A2)                         |        | Gasolina | FWD | 1798 | 103   | 140 | 10.05-      | ■ |  |
| 1.8 Vtec AWD (RN7) (R18A2)                     |        | Gasolina | 4WD | 1798 | 103   | 140 | 10.06-05.14 | ■ |  |
| <b>ROVER</b>                                   |        |          |     |      |   |     |             |   |  |
| <b>600 (RH) 08.93-10.00</b>                    |        |          |     |      | <b>Saloon (Compact executive car-D Segment)</b> |     |             |   |  |
| 618 i/Si (F 18 A3)                             |        | Gasolina | FWD | 1850 | 85  | 115 | 03.96-02.99 | ■ |  |
| 620 Ti Vitesse (20 T4G)                        |        | Gasolina | FWD | 1994 | 147   | 200 | 05.94-08.98 | ■ |  |
| 620 i (F 20 Z2)                                |        | Gasolina | FWD | 1997 | 85  | 115 | 08.93-06.96 | ■ |  |
| 620 Si (F 20 Z1)                               | -12/98 | Gasolina | FWD | 1997 | 96  | 131 | 08.93-02.99 | ■ |  |
| 623 Si (H 23 A3)                               | -12/98 | Gasolina | FWD | 2259 | 116   | 158 | 08.93-06.99 | ■ |  |
| 620 Sdi (20 T2N)                               |        | Diesel   | FWD | 1994 | 77  | 105 | 05.94-06.99 | ■ |  |