

LISTA DE APLICACIONES - BUYERS GUIDE

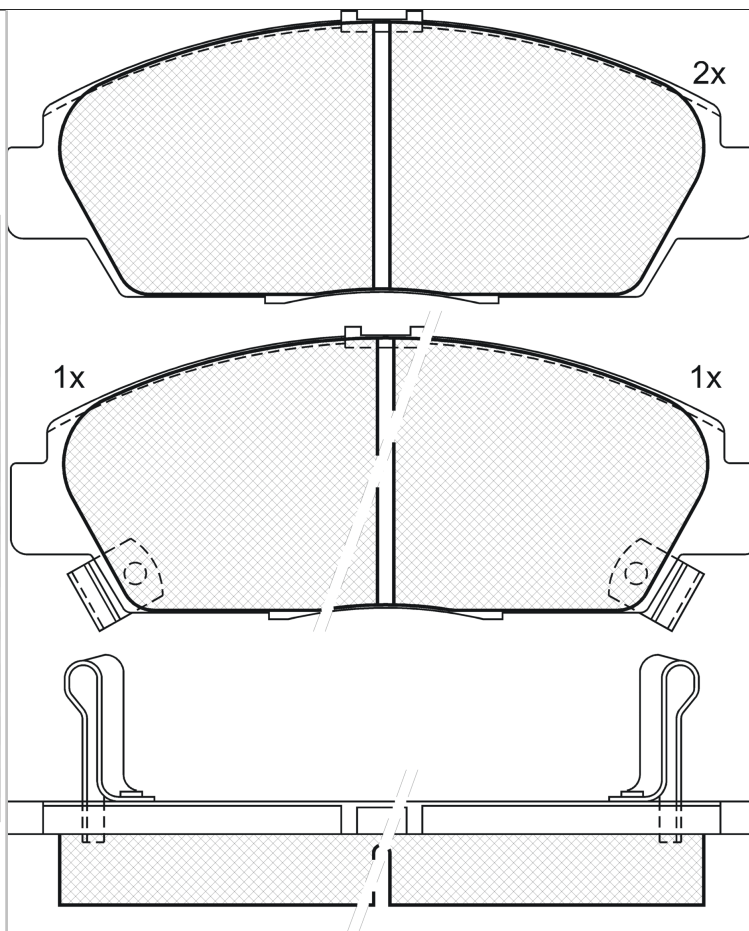
181020



Qty: 300

Weight: 1.655

O.E.M.	MAKE
06450-S86-K00	HONDA
405022-S30-G11	HONDA
405022-S30-G12	HONDA
45022-S30-G10	HONDA
45022-S30-G11	HONDA
45022-S30-G12	HONDA
45022-SE0-G10	HONDA
45022-SN7-000	HONDA
45022-SN7-G00	HONDA
45022-SN7-G40	HONDA
45022-SN7-G41	HONDA
45022-SN7-G42	HONDA
45022-SN7-Y40	HONDA
45022-SS0-508	HONDA
45022-SS0-518	HONDA
45022-SS0-528	HONDA
45022-SS0-G10	HONDA
86 60 004 619	RENAULT
86 71 016 527	RENAULT
GBP90330	ROVER
GBP90330AF	ROVER
GBP90338	ROVER



181020



E1 90R-01030/136

Akebono

137.7x53.68x18.5

WVA	FMSI
21879	D568-7448
21880	
21881	

MAKE
HONDA
ROVER



Trac.	CC	Kw	CV



Front / Rear

HONDA

ACCORD V (CC, CD) 06.92-12.97

Saloon (Executive car-E Segment)

Model	Year	Fuel	Trac.	CC	Kw	CV	Period	Application
1.8 i (CE7) (F18A3)		Gasolina	FWD	1850	85	116	02.96-10.98	■
1.8 i (CE7) (F18A3)		Gasolina	FWD	1850	85	116	02.96-10.98	■
2.0 i (CD4) (F20Z2)		Gasolina	FWD	1997	85	116	03.93-01.96	■
2.0 i LS (CE8) (F20Z1)		Gasolina	FWD	1997	96	131	02.96-10.98	■
2.0 i S (CD4) (F20Z1)		Gasolina	FWD	1997	96	131	03.93-01.96	■
2.0 TDi (CF1) (20T2N)		Diesel	FWD	1994	77	105	04.96-10.98	■

PRELUDE III (BA) 04.86-11.96

Coupe (Sport compact car-C Segment)

Model	Year	Fuel	Trac.	CC	Kw	CV	Period	Application
2.0 EX (BA4) (B20A3)	01/90-	Gasolina	FWD	1958	80	109	04.87-01.92	■
2.0 (BA4) (B20A4)	01/90-	Gasolina	FWD	1958	84	114	08.87-01.92	■
2.0 i EX 16V Cat (BA4) (B20A5)		Gasolina	FWD	1958	101	137	04.87-01.92	■
2.0 i EX 16V (BA4) (B20A9)		Gasolina	FWD	1958	103	140	10.87-01.92	■
2.0 i EX 16V (BA4)	01/90-	Gasolina	FWD	1958	106	144	10.87-12.91	■
2.0 i EX 16V (BA5) (B20A7)	01/90-	Gasolina	FWD	1958	110	150	10.87-12.90	■

PRELUDE IV (BB_) 12.91-02.97

Coupe (Sport compact car-C Segment)

Model	Year	Fuel	Trac.	CC	Kw	CV	Period	Application
2.0 i 16V (BB3) (F20A4)		Gasolina	FWD	1997	98	133	02.92-09.96	■
2.2 S	-12/91	Gasolina	FWD	2156	96	131	12.91-11.96	■
2.2 i 16V Vtec (BB1) (H22A2)		Gasolina	FWD	2157	136	185	02.93-09.96	■
2.2 VTi-R		Gasolina	FWD	2157	142	193	02.94-02.97	■

PRELUDE V (BB_) 10.96-12.01

Coupe (Sport compact car-C Segment)

Model	Year	Fuel	Trac.	CC	Kw	CV	Period	Application
2.0 16V (BB9) (F20A4)		Gasolina	FWD	1997	98	133	10.96-10.00	■
2.2 VTi-R		Gasolina	FWD	2157	142	193	03.97-10.98	■

LISTA DE APLICACIONES - BUYERS GUIDE

ROVER

600 (RH) 08.93-10.00					Saloon (Compact executive car-D Segment)			
618 i/Si (F 18 A3)		Gasolina	FWD	1850	85	115	03.96-02.99	■
620 Ti Vitesse (20 T4G)		Gasolina	FWD	1994	147	200	05.94-08.98	■
620 i (F 20 Z2)		Gasolina	FWD	1997	85	115	08.93-06.96	■
620 Si (F 20 Z1)	-12/98	Gasolina	FWD	1997	96	131	08.93-02.99	■
623 Si (H 23 A3)	-12/98	Gasolina	FWD	2259	116	158	08.93-06.99	■
620 Sdi (20 T2N)		Diesel	FWD	1994	77	105	05.94-06.99	■