

LISTA DE APLICACIONES - BUYERS GUIDE

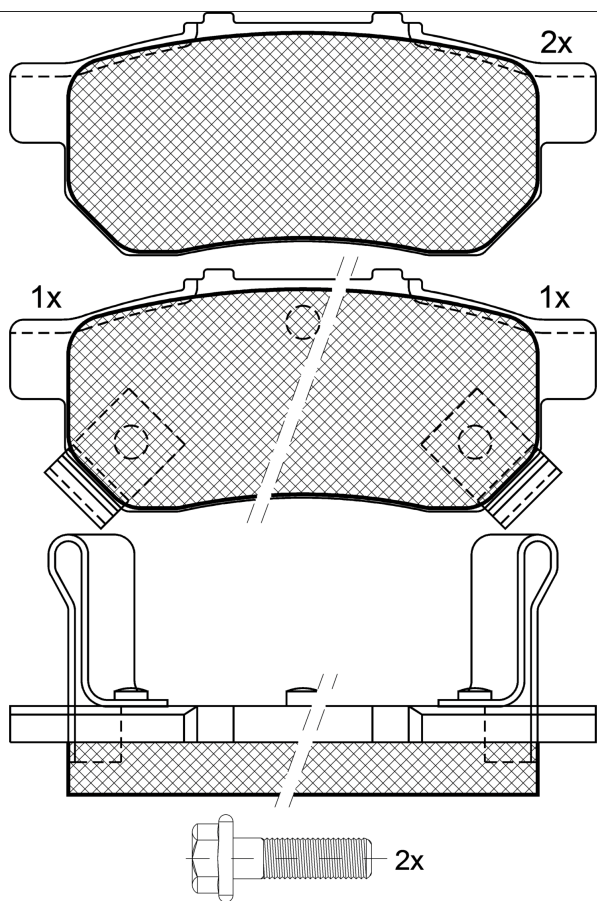
181024



Qty: 944

Weight: 580

O.E.M.	MAKE
06430-SAA-E50	HONDA
43022-S04-000	HONDA
43022-S04-010	HONDA
43022-S04-020	HONDA
43022-S04-E01	ACURA
43022-SO4-E01	HONDA
43022-SO4-E03	HONDA
43022-SR2-000	HONDA
43022-SR2-010	HONDA
43022-SR2-030	HONDA
43022-SR2-040	HONDA
43022-SR3-030	HONDA
43022-SR3-D01	HONDA
43022-SR3-G00	HONDA
43022-SR3-G01	HONDA
43022-ST7-000	HONDA
43022-ST7-020	HONDA
43022-ST7-A02	HONDA
43022-TAR-G00	HONDA
43022-TF0-305	HONDA
43022-TF0-G00	HONDA
43022-TF0-G01	HONDA
43022-TM0-G00	HONDA
43033-SAA-E51	HONDA
45022-SR2-010	HONDA



1-Ref. 690059

181024



90R-01110/163



Akebono

88.85x36.8x13

WVA	FMSI
21738	D564-7443
23343	
23344	

MAKE
ACURA
HONDA



Trac.	CC	Kw	CV



Front / Rear

ACURA

INTEGRA II 10.90-09.93						Hatchback (Sport compact car-C Segment)			
1.7 16V	01/92-	Gasolina	FWD	1695			10.90-		■
1.8	01/92-	Gasolina	FWD	1850	77	105	10.90-09.93		■
INTEGRA II 10.90-12.93						Saloon (Sport compact car-C Segment)			
1.8	01/92-	Gasolina	FWD	1850	77	105	10.90-09.93		■
INTEGRA III 09.93-09.01						Coupe (Sport compact car-C Segment)			
1.8 Sport		Gasolina	FWD	1797	125	170	10.93-09.01		■
1.8 GS-R	-12/98	Gasolina	FWD	1797	147	200	10.93-09.01		■
INTEGRA III 10.93-09.01						Hatchback (Sport compact car-C Segment)			
1.8 LS		Gasolina	FWD	1797	125	170	10.93-09.01		■
INTEGRA III 10.93-09.01						Saloon (Sport compact car-C Segment)			
1.8 LS		Gasolina	FWD	1797	125	170	10.93-09.01		■
1.8 GS-R	-12/98	Gasolina	FWD	1797	147	200	10.93-09.01		■

HONDA

CITY V / BALADE (GM2, GM3) 09.08-						Saloon (Supermini car-B Segment)			
1.3 i-V TEC (GM1) (L13Z1)		Gasolina	FWD	1339	73	99	09.08-12.13		■
CIVIC V (EG, EH) 10.91-11.95						Hatchback (Supermini car-B Segment)			
1.6 16V Vtec (EG5, EH3) (D16Z6)		Gasolina	FWD	1590	92	125	10.91-11.95		■
1.6 VTi 16V (EG6) (B16A2)		Gasolina	FWD	1595	118	160	10.91-11.95		■

LISTA DE APLICACIONES - BUYERS GUIDE

CIVIC V (EG, EH) 10.91-12.96					Saloon (Supermini car-B Segment)			
1.6 EX		Gasolina	FWD	1590	88	120	08.93-10.95	■
1.6 16V Vtec (EH9, EH5) (D16Z6)		Gasolina	FWD	1590	92	125	10.91-11.95	■
1.6 16V Vtec (EH9, EH5) (D16Z7)		Gasolina	FWD	1590	92	125	10.91-11.95	■
1.6 4x4 (D16Z7)		Gasolina	4WD	1590	92	125	01.92-10.95	■
1.6 VTi (EG9) (B16A2)		Gasolina	FWD	1595	118	160	10.91-11.95	■
CIVIC VI (EJ, EM1) 03.96-12.00					Coupe (Supermini car-B Segment)			
1.6 i Vtec (EM1) (B16A2)		Gasolina	FWD	1595	118	160	04.99-12.00	■
CIVIC VI (MA, MB) 09.94-02.01					Hatchback (Supermini car-B Segment)			
1.5 16V (MB3) (D15Z8)		Gasolina	FWD	1493	84	114	01.97-02.01	■
1.5 i (EK3) (D15Z6)		Gasolina	FWD	1493	84	114	11.95-02.01	■
1.6 i (EK1) (D16Y5)		Gasolina	FWD	1590	84	114	11.95-02.01	■
1.6 (MB4) (D16W4)		Gasolina	FWD	1590	92	125	11.98-03.01	■
1.6 VTi (EK4) (B16A2)		Gasolina	FWD	1595	118	160	11.95-02.01	■
1.6 VTi (MB4) (B16A2)		Gasolina	FWD	1595	118	160	01.97-02.01	■
1.6 VTEC Type R		Gasolina	FWD	1595	136	185	08.97-09.00	■
2.0 TDiC (MB7) (20T2N)		Diesel	FWD	1994	74	101	11.98-10.00	■
2.0 TDiC (20T2N)		Diesel	FWD	1994	77	105	11.98-10.00	■
CIVIC VI / BALLADE (EJ, EK, SO) 06.95-03.01					Saloon (Sport compact car-C Segment)			
1.6 i Vtec (EK1, SO4) (D16Y6)		Gasolina	FWD	1590	92	125	11.95-02.01	■
1.6 i Vtec (EK1, SO4) (D16Y8)		Gasolina	FWD	1590	92	125	11.95-02.01	■
1.6 i Vtec 4x4 (D16Z7)		Gasolina	4WD	1590	92	125	11.95-02.01	■
1.6 VTi (EK4, SO4) (B16A2)		Gasolina	FWD	1595	118	160	11.95-02.01	■
1.7 (EK9)		Gasolina	FWD	1668	92	125	11.97-03.01	■
CRX III (EH, EG) 03.92-12.98					Targa (Sports car-S Segment)			
1.6 ESi (EH6) (D16Y8)		Gasolina	FWD	1590	92	125	03.92-12.98	■
1.6 ESi (EH6) (D16Z6)		Gasolina	FWD	1590	92	125	03.92-12.98	■
1.6 i VTi (EG2) (B16A2)		Gasolina	FWD	1595	118	160	03.92-12.98	■
1.6 i VTi (EG2) (B16A3)		Gasolina	FWD	1595	118	160	03.92-12.98	■
FIT (U.S.A.) 09.06-12.11					Hatchback (Supermini car-B Segment)			
1.3	01/08-	Gasolina	FWD	1295	74	100	09.06-	■
1.5	01/08-	Gasolina	FWD	1495	88	120	09.06-	■
INTEGRA II (DA5, DA6, DA7, DA8, DA9, DB1, DB2) 06.89-08.93					Saloon (Sport compact car-C Segment)			
1.8	01/92-	Gasolina	FWD	1850	77	105	09.89-08.93	■
JAZZ (GD_, GE3, GE2) 06.01-12.08					Hatchback (Supermini car-B Segment)			
1.2 i-DSi (GD5, GE2) (L12A1)		Gasolina	FWD	1243	57	78	03.02-07.08	■
1.2 i-DSi (GD5, GE2) (L12A4)		Gasolina	FWD	1243	57	78	03.02-07.08	■
1.4 (L13A1)		Gasolina	FWD	1339	59	80	12.06-10.08	■
1.3 iDSi (GD1) (L13A1)		Gasolina	FWD	1339	61	83	03.02-07.08	■
1.4 iDSi (GE3, GD1) (L13A5)		Gasolina	FWD	1339	61	83	12.06-10.08	■
1.4 iDSi (GE3, GD1) (L13A6)		Gasolina	FWD	1339	61	83	12.06-10.08	■
1.3 iDSi (GD1) (L13A1)		Gasolina	FWD	1339	63	86	03.02-09.07	■
1.4		Gasolina	FWD	1339	65	88	04.05-07.08	■
1.5		Gasolina	FWD	1497	77	105	02.05-12.08	■
1.5 FF		Gasolina	FWD	1497	79	107	03.02-09.07	■
1.5 VTEC (GD3) (L15A1)		Gasolina	FWD	1497	81	110	04.02-07.08	■
1.7 (D17A2)	01/04-	Gasolina	FWD	1668	92	125	10.03-09.07	■

LISTA DE APLICACIONES - BUYERS GUIDE

1.4 LX Flex		Gasol./Etanol	FWD	1339	61	83	12.06-10.08	■
JAZZ II (GE_, GG_, GP_, ZA_) 10.07-					Hatchback (Supermini car-B Segment)			
Electric		Gasolina	FWD		92	125	09.12-	■
1.2 (GG1) (L12B1)		Gasolina	FWD	1198	66	90	07.08-12.15	■
1.3 i (GE6, GG3, GG6) (L13Z1)		Gasolina	FWD	1339	73	100	07.08-12.15	■
1.3 i (GE6, GG3, GG6) (L13Z2)		Gasolina	FWD	1339	73	100	07.08-12.15	■
1.4 (L13Z1)		Gasolina	FWD	1339	74	101	11.08-12.15	■
1.4 Flex		Gasolina	FWD	1339	74	101	11.08-	■
1.5 i-VTEC (GE8) (L15A7)		Gasolina	FWD	1496	88	120	07.08-06.14	■
1.5		Gasolina	FWD	1497	87	118	09.08-	■
1.5 4WD (GE9) (L15A7)		Gasolina	4WD	1497	88	120	10.07-03.14	■
1.5 Flexfuel (GE8)		Gasol./Etanol	FWD	1496	88	120	07.08-03.14	■
1.5 Flex		Gasol./Etanol	FWD	1497	85	116	11.08-03.14	■
1.3 HYBRID (GP1) (LDA3)		Gasol./eléc.	FWD	1339	75	102	04.11-12.15	■
JAZZ II SHUTTLE (GG8, GG7, GP2) 03.11-					Estate (Supermini car-B Segment)			
1.3 (GP2)		Gasolina	FWD	1339	65	88	03.11-03.14	■
1.5 (GG7) (L15A)		Gasolina	FWD	1497	88	120	03.11-03.14	■
1.5 4WD (GG8) (L15A)		Gasolina	4WD	1497	88	120	03.11-03.14	■
JAZZ III (GK_) 09.13-					Hatchback (Supermini car-B Segment)			
1.2 i-VTEC		Gasolina	FWD	1199	66	90	07.16-	■
1.3		Gasolina	FWD	1318	73	99	09.13-	■
1.3		Gasolina	FWD	1318	73	99	09.13-	■
1.3 (L13B)		Gasolina	FWD	1318	75	102	09.15-	■
1.3 (L13B2)		Gasolina	FWD	1318	75	102	09.15-	■
1.5 Flexfuel		Gasolina	FWD	1496	85	116	09.14-	■
1.5		Gasolina	FWD	1496	86	117	09.14-	■
1.5		Gasolina	FWD	1496	88	120	09.14-	■
1.5 (GK5)		Gasolina	FWD	1496	97	132	09.14-	■
1.5 4WD (GK6)		Gasolina	4WD	1496	97	132	12.13-	■
1.5 (L15B3)		Gasolina	FWD	1498	96	130	09.17-	■
1.5 i-VTEC Flexfuel (GK5)		Gasol./Etanol	FWD	1497	86	117	01.14-	■
1.5 Hybrid		Gasol./eléc.	FWD	1496	81	110	09.13-	■
1.5 Hybrid		Gasol./eléc.	4WD	1496	81	110	09.13-	■
1.5 i-DTEC		Diesel	RWD	1498	74	100	07.16-	■