

# LISTA DE APLICACIONES - BUYERS GUIDE

## 181092

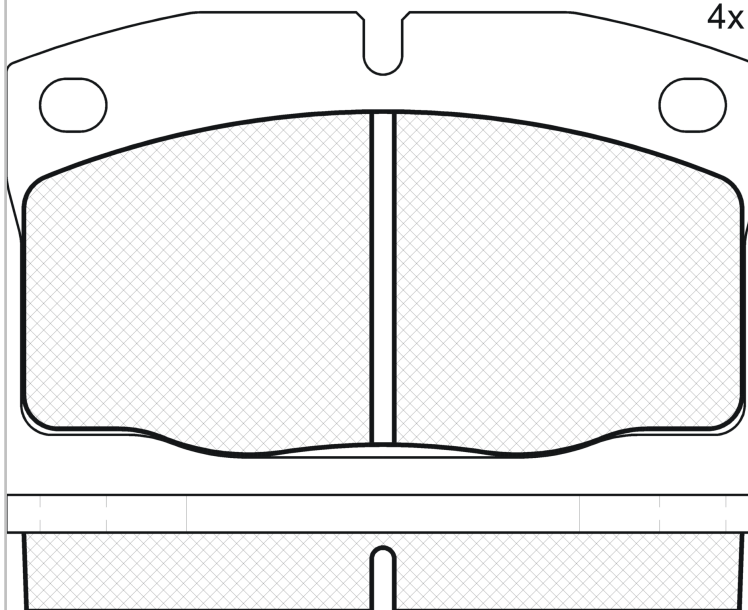


8 424073 017635

Qty: 300

Weight: 1.197

O.E.M.	MAKE
9610 1972	DAEWOO
9610 1972 5	DAEWOO
9610 1972 S	DAEWOO
P96101972S	DAEWOO



## 181092



Delco Moraine

100x59x15.4

WVA	FMSI
21057	D378-7267
MAKE	
DAEWOO	



Trac.	CC	Kw	CV
-------	----	----	----



Front / Rear

### DAEWOO

<b>ARANOS 01.95-11.97</b>							<b>Saloon (Executive car-E Segment)</b>			
1.8 (Y18L)	01/97-	Gasolina	FWD	1796	70	95	01.95-11.97	■		
<b>CIELO 06.94-12.07</b>							<b>Saloon (Supermini car-B Segment)</b>			
1.5 (Y15L)		Gasolina	FWD	1498	55	75	04.95-12.02	■		
1.5 (V15L)	01/95-	Gasolina	FWD	1498	66	90	06.94-07.98	■		
<b>CIELO LOAD RUNNER 02.96-08.97</b>							<b>Hatchback Van (LCVs-N1 Segment)</b>			
1.5		Gasolina	FWD	1498	55	75	02.96-08.97	■		
<b>ESPERO (KLEJ) 10.91-09.99</b>							<b>Saloon (Executive car-E Segment)</b>			
1.5 i	01/92-	Gasolina	FWD	1495	55	75	10.91-	■		
<b>LANOS / SENS (KLAT) 04.97-</b>							<b>Hatchback (Supermini car-B Segment)</b>			
1.5	01/97-	Gasolina	FWD	1495			04.97-	■		
1.5	01/97-	Gasolina	FWD	1495			04.97-	■		
<b>NEXIA / CIELO 02.95-08.97</b>							<b>Hatchback (Supermini car-B Segment)</b>			
1.5 (08, 68) (G15MF)		Gasolina	FWD	1498	55	75	02.95-08.97	■		
1.5 16V (08, 68) (A15MF)		Gasolina	FWD	1498	66	90	02.95-08.97	■		
<b>NEXIA / CIELO 02.95-06.08</b>							<b>Saloon (Supermini car-B Segment)</b>			
1.5 (19) (G15MF)		Gasolina	FWD	1498	55	75	02.95-08.97	■		
1.5 16V (19) (A15MF)		Gasolina	FWD	1498	66	90	02.95-08.97	■		
<b>RACER 01.86-12.97</b>							<b>Hatchback (Supermini car-B Segment)</b>			
1.5 (G15MF)		Gasolina	FWD	1498	52	71	03.95-12.97	■		