

# LISTA DE APLICACIONES - BUYERS GUIDE

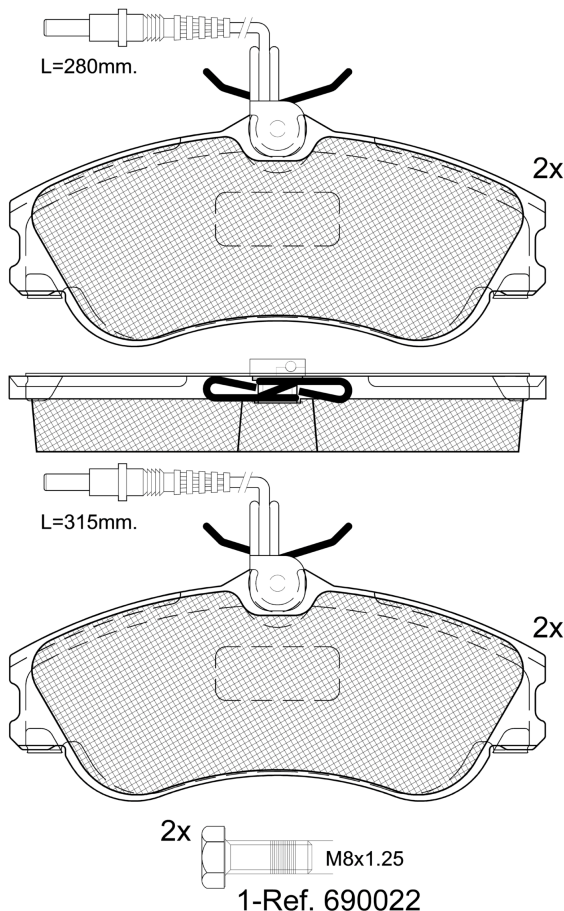
## 181136-700



Qty: 300

Weight: 1.600

O.E.M.	MAKE
16 113 350 80	CITROËN
16 172 544 80	CITROËN
172059	CITROËN
4251.54	PEUGEOT
4251.55	CITROËN
4254.85	CITROËN
86 60 004 667	RENAULT
86 71 016 578	RENAULT
E172059	PEUGEOT
E172532	CITROËN



## 181136-700



Lucas - Girling

129.8x56x19

WVA	FMSI
23124	D1190-8309
23125	
MAKE	
CITROËN	
PEUGEOT	



Trac.	CC	Kw	CV
-------	----	----	----



Front / Rear

### CITROËN

BERLINGO / BERLINGO FIRST (M_) 07.96-12.11							Box Body/MPV (LCVs-N1 Segment)			
1.1 i (MAHDZ, MBHDZ, MBHFX) (HDZ (TU1M))	-12/01	Gasolina	FWD	1124	44	60	07.96-03.08	■		
1.1 i (MAHDZ, MBHDZ, MBHFX) (HFX (TU1JP))	-12/01	Gasolina	FWD	1124	44	60	07.96-03.08	■		
1.4 i (MBKFX, MBKFW) (KFW (TU3A))	-12/01	Gasolina	FWD	1360	55	75	07.96-12.11	■		
1.4 i (MBKFX, MBKFW) (KFW (TU3JP))	-12/01	Gasolina	FWD	1360	55	75	07.96-12.11	■		
1.4 i (MBKFX, MBKFW) (KFX (TU3JP))	-12/01	Gasolina	FWD	1360	55	75	07.96-12.11	■		
1.4 i (KFW (TU3JP))		Gasolina	FWD	1360	57	77	08.99-05.08	■		
1.4 i (KFX (TU3JP))		Gasolina	FWD	1360	57	77	08.99-05.08	■		
1.6 16V (MBNFU) (NFU (TU5JP4))	-12/02	Gasolina	FWD	1587	80	109	10.00-03.08	■		
1.8 i (LFX (XU7JB))		Gasolina	FWD	1761	66	90	05.98-10.02	■		
1.4 BiFuel (MBKFXB, MCKFXB) (KFW (TU3JP))		Gasol./Gas (LPG)	FWD	1360	55	75	07.96-10.02	■		
1.4 i bivalent (MBKFW) (KFW (TU3JP))		Gasol./Gas (CNG)	FWD	1360	55	75	04.03-10.05	■		
Electric		Eléctrico	FWD		28	38	07.03-12.05	■		
1.6 HDI 75 (MB9HW) (9HW (DV6BTED4))	-12/08	Diesel	FWD	1560	55	75	07.05-12.11	■		
1.6 HDI 75 (MB9HW) (DV6B)	-12/08	Diesel	FWD	1560	55	75	07.05-12.11	■		
1.6 HDI 90 (MB9HX, MC9HX) (9HX (DV6ATED4))	-12/08	Diesel	FWD	1560	66	90	07.05-12.11	■		
1.8 D (MBA9A, MCA9A) (A9A (XUD7))		Diesel	FWD	1769	43	59	07.96-10.02	■		
1.9 D 70 (MBWJZ, MCWJZ) (WJY (DW8B))	-12/01	Diesel	FWD	1868	51	69	04.99-12.11	■		
1.9 D 70 (MBWJZ, MCWJZ) (WJZ (DW8))	-12/01	Diesel	FWD	1868	51	69	04.99-12.11	■		
1.9 D 70 4WD (MBWJZ, MCWJZ) (WJY (DW8B))	-12/01	Diesel	4WD	1868	51	69	07.98-03.06	■		
1.9 D 70 4WD (MBWJZ, MCWJZ) (WJZ (DW8))	-12/01	Diesel	4WD	1868	51	69	07.98-03.06	■		

# LISTA DE APLICACIONES - BUYERS GUIDE

1.9 D (MBDJY) (DJY (XUD9A))	-12/01	Diesel	FWD	1905	51	70	07.96-12.03	■
2.0 HDI 90 (MBRHY, MCRHY) (RHY (DW10TD))	-12/00, -Org. 09127, Vented disc, Solid disc	Diesel	FWD	1997	66	90	12.99-12.11	■
<b>BERLINGO / BERLINGO FIRST (MF_, GJK_, GFK_) 07.96-12.11</b>				<b>MPV (Large MPV-M1 Segment)</b>				
1.1 i (MFHDZ, MFHFX) (HDZ (TU1M))	-12/01	Gasolina	FWD	1124	44	60	07.96-05.08	■
1.1 i (MFHDZ, MFHFX) (HFX (TU1JP))	-12/01	Gasolina	FWD	1124	44	60	07.96-05.08	■
1.4 i (MFKFX, MFKFW, GJKFWB, GJKFWC, GFKFWC) (KFW (TU3JP))	-12/01	Gasolina	FWD	1360	55	75	07.96-12.11	■
1.4 i (MFKFX, MFKFW, GJKFWB, GJKFWC, GFKFWC) (KFX (TU3JP))	-12/01	Gasolina	FWD	1360	55	75	07.96-12.11	■
1.6 16V (MFNFU) (NFU (TU5JP4))	-12/02	Gasolina	FWD	1587	80	109	10.00-12.11	■
1.6 16V (MFNFU) (NFU (TU5JP4))		Gasolina	FWD	1587	81	110	11.02-10.08	■
1.8 i (MFLFX) (LFX (XU7JB))		Gasolina	FWD	1761	66	90	05.97-10.02	■
1.8 i 4WD (MFLFX) (LFX (XU7JB))		Gasolina	4WD	1761	66	90	04.97-10.01	■
1.4 i bivalent (MFKFW) (KFW (TU3JP))		Gasol./Gas (CNG)	FWD	1360	55	75	04.03-10.08	■
electrique		Eléctrico	FWD		16	22	01.00-10.02	■
Electric		Eléctrico	FWD		28	38	01.98-12.05	■
1.6 HDi 110	-12/08	Diesel	RWD	1560	80	109	08.05-12.11	■
1.8 D (MFA9A) (A9A (XUD7))	-12/99	Diesel	FWD	1769	43	58	07.98-10.02	■
1.8 D		Diesel	RWD	1769	44	60	11.96-10.99	■
1.9 D (MFWJZ) (WJY (DW8B))	-12/01	Diesel	FWD	1868	51	70	07.98-10.05	■
1.9 D (MFWJZ) (WJZ (DW8))	-12/01	Diesel	FWD	1868	51	70	07.98-10.05	■
1.9 D 4WD (MFWJZ) (WJY (DW8B))	-12/02	Diesel	4WD	1868	51	69	07.98-10.05	■
1.9 D 4WD (MFWJZ) (WJZ (DW8))	-12/02	Diesel	4WD	1868	51	69	07.98-10.05	■
1.9 D (MFDJY) (D9B (XUD9A/L))	-12/01	Diesel	FWD	1905	50	68	07.96-12.03	■
1.9 D (MFDJY) (DJY (XUD9A))	-12/01	Diesel	FWD	1905	50	68	07.96-12.03	■
1.9 D		Diesel	RWD	1905	51	69	07.96-10.99	■
2.0 HDI 90 (MFRHY) (RHY (DW10TD))	-12/02	Diesel	FWD	1997	66	90	12.99-10.05	■
<b>XSARA (N0) 01.98-04.05</b>				<b>Coupe (Compact car-C Segment)</b>				
1.8 VTS		Gasolina	FWD	1749	85	116	09.00-10.04	■
1.8 i (LFZ (XU7JP))		Gasolina	FWD	1761	74	101	02.98-09.00	■
1.8 i 16V (LFY (XU7JP4))		Gasolina	FWD	1761	81	110	02.98-09.00	■
1.8 LPG (LFY (XU7JP4))		Gasol./Gas (LPG)	FWD	1761	82	112	01.98-08.00	■
2.0 HDI 90 (RHY (DW10TD))	-12/00	Diesel	FWD	1997	66	90	02.99-03.05	■
<b>XSARA 05.98-08.05</b>				<b>Estate Van (Compact car-C Segment)</b>				
1.8 D (A9A (XUD7))		Diesel	FWD	1769	43	58	05.98-05.99	■
1.9 D (WJZ (DW8))		Diesel	FWD	1868	51	69	06.99-08.05	■
2.0 HDi (RHY (DW10TD))	-12/00	Diesel	FWD	1997	66	90	09.00-03.05	■
<b>XSARA (N2) 10.97-03.10</b>				<b>Estate (Compact car-C Segment)</b>				
1.4 i (KFW (TU3JP))	-12/00	Gasolina	FWD	1360	55	75	10.97-08.05	■
1.4 i (KFX (TU3JP))	-12/00	Gasolina	FWD	1360	55	75	10.97-08.05	■
1.6 i (NFZ (TU5JP))		Gasolina	FWD	1587	65	88	10.97-09.00	■
1.8 i (LFX (XU7JB))		Gasolina	FWD	1761	66	90	10.97-09.00	■
1.8 i Aut. (LFZ (XU7JP))		Gasolina	FWD	1761	74	101	10.97-09.00	■
1.8 i 16V (LFY (XU7JP4))		Gasolina	FWD	1761	81	110	10.97-09.00	■
2.0 16V (RFV (XU10J4R))		Gasolina	FWD	1998	97	132	07.98-09.00	■
1.4 LPG (KFW (TU3JP))		Gasol./Gas (LPG)	FWD	1360	55	75	05.98-08.00	■
1.4 LPG (KFX (TU3JP))		Gasol./Gas (LPG)	FWD	1360	55	75	05.98-08.00	■
1.8 LPG (LFY (XU7JP4))		Gasol./Gas (LPG)	FWD	1761	81	110	05.98-08.00	■

# LISTA DE APLICACIONES - BUYERS GUIDE

1.5 D (VJZ (TUD5))		Diesel	FWD	1527	42	57	10.97-09.00	■	
1.8 D (A9A (XUD7))		Diesel	FWD	1769	43	58	10.97-09.00	■	
1.9 D (WJY (DW8B))	-12/00	Diesel	FWD	1868	51	70	07.98-08.05	■	
1.9 D (WJZ (DW8))	-12/00	Diesel	FWD	1868	51	70	07.98-08.05	■	
1.9 D (DJY (XUD9A))		Diesel	FWD	1905	50	68	10.97-09.00	■	
1.9 D (DHV (XUD9BSD))		Diesel	FWD	1905	55	75	01.98-09.00	■	
1.9 TD (DHY (XUD9TE/Y))		Diesel	FWD	1905	66	90	10.97-09.00	■	
2.0 HDI 90 (RHY (DW10TD))	-12/00	Diesel	FWD	1997	66	90	02.99-08.05	■	
<b>XSARA (N1) 04.97-12.05</b>							<b>Hatchback (Compact car-C Segment)</b>		
1.8 VTS (6FZ (EW7J4))		Gasolina	FWD	1749	85	116	08.98-10.04	■	
1.8 i Aut. (LFZ (XU7JP))		Gasolina	FWD	1761	74	101	04.97-09.00	■	
1.8 i 16V (LFY (XU7JP4))		Gasolina	FWD	1761	81	110	04.97-09.00	■	
2.0 16V (RFV (XU10J4R))		Gasolina	FWD	1998	97	132	07.98-09.00	■	
1.8 Bifuel (LFY (XU7JP4))		Gasol./Gas (LPG)	FWD	1761	82	111	07.97-08.00	■	
2.0 HDI 90 (RHY (DW10TD))	-12/00	Diesel	FWD	1997	66	90	02.99-03.05	■	
<b>PEUGEOT</b>									
<b>306 (7D, N3, N5) 01.94-04.02</b>							<b>Convertible (Compact car-C Segment)</b>		
1.6 (NFZ (TU5JP))	01/97-	Gasolina	FWD	1587	65	89	04.96-10.00	■	
1.6 (NFT (TU5JP))		Gasolina	FWD	1587	72	98	10.00-04.02	■	
1.8 (L6A (XU7JP))	01/97-	Gasolina	FWD	1761	74	101	03.94-04.02	■	
1.8 (LFZ (XU7JP))	01/97-	Gasolina	FWD	1761	74	101	03.94-04.02	■	
1.8 (LFZ (XU7JP))		Gasolina	FWD	1761	74	101	05.97-04.99	■	
1.8 16V (LFY (XU7JP4))		Gasolina	FWD	1761	81	110	05.97-04.02	■	
2.0 16V (RFV (XU10J4R))		Gasolina	FWD	1998	97	132	03.97-04.02	■	
2.0 16V (RFV (XU10J4R))		Gasolina	FWD	1998	99	135	03.97-04.02	■	
<b>306 (N_, 7_) 07.93-08.02</b>							<b>Estate Van (Compact car-C Segment)</b>		
1.4 (KFW (TU3JP))		Gasolina	FWD	1360	55	75	03.96-07.01	■	
1.8 D (A9A (XUD7))		Diesel	FWD	1769	44	60	05.97-06.00	■	
1.9 D (WJY (DW8B))		Diesel	FWD	1868	51	69	02.99-08.02	■	
1.9 D (WJZ (DW8))		Diesel	FWD	1868	51	69	02.99-08.02	■	
1.9 D (XUD9)		Diesel	FWD	1905	50	68	05.97-05.99	■	
1.9 STD (XUD9)		Diesel	FWD	1905	51	69	02.94-05.99	■	
2.0 HDi (RHY (DW10TD))		Diesel	FWD	1997	66	90	08.98-06.00	■	
<b>306 (7E, N3, N5) 06.94-12.02</b>							<b>Estate (Compact car-C Segment)</b>		
1.4 (KFW (TU3JP))		Gasolina	FWD	1360	55	75	03.97-04.02	■	
1.4 (KFX (TU3JP))		Gasolina	FWD	1360	55	75	03.97-04.02	■	
1.6 (NFZ (TU5JP))	Vented disc, for ABS, discØ 266	Gasolina	FWD	1587	65	89	03.97-10.00	■	
1.6 (NFT (TU5JP))		Gasolina	FWD	1587	72	98	10.00-04.02	■	
1.8 (LFZ (XU7JP))	-12/99	Gasolina	FWD	1761	74	101	03.97-04.02	■	
1.8 16V (LFY (XU7JP4))		Gasolina	FWD	1761	81	110	03.97-04.02	■	
1.8 16V (LFY (XU7JP4))	discØ 266	Gasolina	FWD	1761	82	112	03.97-07.01	■	
2.0 (RFV (XU10J4R))	-12/01	Gasolina	FWD	1998	97	132	03.97-04.02	■	
2.0 16V		Gasolina	FWD	1998	99	135	03.97-04.02	■	
1.8 D		Diesel	RWD	1769	44	60	05.97-06.00	■	
1.8 D (A9A (XUD7))		Diesel	FWD	1769	44	60	05.97-06.00	■	
1.9 D (WJY (DW8B))		Diesel	FWD	1868	51	69	09.98-04.02	■	
1.9 D (WJZ (DW8))		Diesel	FWD	1868	51	69	09.98-04.02	■	
1.9 D (DJY (XUD9A))		Diesel	FWD	1905	50	68	03.97-04.02	■	

# LISTA DE APLICACIONES - BUYERS GUIDE

1.9 D (DJY (XUD9A))		Diesel	FWD	1905	51	69	05.97-05.99	■	
1.9 TD (DJY (XUD9A))		Diesel	FWD	1905	52	71	07.95-08.00	■	
1.9 D (DHV (XUD9BSD))		Diesel	FWD	1905	55	75	03.98-04.02	■	
1.9 TD (D8A (XUD9TE))		Diesel	FWD	1905	66	90	02.97-04.02	■	
1.9 TD (DHY (XUD9TE))		Diesel	FWD	1905	66	90	02.97-04.02	■	
1.9 TD (DHY (XUD9TE))		Diesel	FWD	1905	67	92	01.99-04.02	■	
2.0 HDI 90 (RHY (DW10TD))		Diesel	FWD	1997	66	90	06.99-04.02	■	
<b>306 04.93-08.01</b>							<b>Hatchback Van (Compact car-C Segment)</b>		
1.8 D (A9A (XUD7))		Diesel	FWD	1769	44	60	04.93-05.99	■	
1.9 STD (D9B (XUD9A))		Diesel	FWD	1905	51	69	02.94-10.95	■	
1.9 STD (DJY (XUD9A))		Diesel	FWD	1905	51	69	02.94-10.95	■	
<b>306 (7A, 7C, N3, N5) 01.93-10.03</b>							<b>Hatchback (Compact car-C Segment)</b>		
1.4 (KDX (TU3MC))	01/97-	Gasolina	FWD	1360	55	75	04.93-07.01	■	
1.4 (KFW (TU3JP))	01/97-	Gasolina	FWD	1360	55	75	04.93-07.01	■	
1.4 (KFX (TU3JP))	01/97-	Gasolina	FWD	1360	55	75	04.93-07.01	■	
1.6 (NFZ (TU5JP))	01/97-	Gasolina	FWD	1587	65	89	05.93-10.00	■	
1.6 (NFZ (TU5JP))		Gasolina	FWD	1587	66	90	07.00-05.01	■	
1.6 (NFT (TU5JP))		Gasolina	FWD	1587	72	98	10.00-05.01	■	
1.8 (LFZ (XU7JP))	01/97-	Gasolina	FWD	1761	74	101	05.93-05.01	■	
1.8 (LFZ (XU7JP))		Gasolina	FWD	1761	74	101	05.93-05.01	■	
1.8 16V (LFY (XU7JP4))		Gasolina	FWD	1761	81	110	03.97-05.01	■	
1.8 16V (LFY (XU7JP4))	discØ 266	Gasolina	FWD	1761	82	112	03.97-10.03	■	
1.8 16V		Gasolina	FWD	1761	86	117	10.99-10.03	■	
2.0 16V (RFV (XU10J4R))		Gasolina	FWD	1998	97	132	03.97-05.01	■	
2.0 16V (RFV (XU10J4R))		Gasolina	FWD	1998	99	135	03.97-06.00	■	
2.0		Gasolina	FWD	1998	123	167	01.98-05.00	■	
1.8 D (A9A (XUD7))	01/97-	Diesel	FWD	1769	43	58	05.93-05.01	■	
1.9 D (WJY (DW8B))		Diesel	FWD	1868	51	69	09.98-05.01	■	
1.9 D (WJZ (DW8))		Diesel	FWD	1868	51	69	09.98-05.01	■	
1.9 D (WJZ (DW8))	discØ 266, vehicles without ABS, Org.- 09003	Diesel	FWD	1868	52	71	01.99-08.03	■	
1.9 D (DJZ (XUD9A))	01/97-	Diesel	FWD	1905	47	64	05.93-05.01	■	
1.9 D (DJY (XUD9A))	01/97-	Diesel	FWD	1905	50	68	06.94-05.01	■	
1.9 D (DHV (XUD9BSD))		Diesel	FWD	1905	55	75	03.98-05.01	■	
1.9 DT (DHY (XUD9TE))	01/97-	Diesel	FWD	1905	66	90	05.93-05.01	■	
2.0 HDI 90 (RHY (DW10TD))		Diesel	FWD	1997	66	90	06.99-12.02	■	
<b>306 (7B, N3, N5) 04.93-10.03</b>							<b>Saloon (Compact car-C Segment)</b>		
1.4 SL (KDX (TU3MC))	01/97-	Gasolina	FWD	1360	55	75	06.94-05.01	■	
1.4 SL (KFW (TU3JP))	01/97-	Gasolina	FWD	1360	55	75	06.94-05.01	■	
1.4 SL (KFX (TU3JP))	01/97-	Gasolina	FWD	1360	55	75	06.94-05.01	■	
1.6 SR (NFZ (TU5JP))	01/97-	Gasolina	FWD	1587	65	89	06.94-10.00	■	
1.6 (NFZ (TU5JP))		Gasolina	FWD	1587	66	90	07.00-05.01	■	
1.6 (NFT (TU5JP))		Gasolina	FWD	1587	72	98	10.00-05.01	■	
1.8 ST (LFZ (XU7JP))	01/97-	Gasolina	FWD	1761	74	101	06.94-05.01	■	
1.8 16V (LFY (XU7JP4))		Gasolina	FWD	1761	81	110	03.97-05.01	■	
1.8 16V (LFY (XU7JP4))	discØ 266	Gasolina	FWD	1761	82	112	03.97-07.01	■	
2.0 (RFV (XU10J4R))		Gasolina	FWD	1998	97	132	03.97-05.01	■	
1.8 D (A9A (XUD7))		Diesel	FWD	1769	44	60	05.97-06.00	■	
1.9 D (WJY (DW8B))		Diesel	FWD	1868	51	69	09.98-05.01	■	
1.9 D (WJZ (DW8))		Diesel	FWD	1868	51	69	09.98-05.01	■	

# LISTA DE APLICACIONES - BUYERS GUIDE

1.9 SLD (DJZ (XUD9A))	01/97-	Diesel	FWD	1905	47	64	06.94-05.01	■	
1.9 SLD (DJY (XUD9A))	01/97-	Diesel	FWD	1905	50	68	06.94-05.01	■	
1.9 D (DHV (XUD9BSD))		Diesel	FWD	1905	55	75	03.98-05.01	■	
1.9 SRDT (DHY (XUD9TE))	01/97-	Diesel	FWD	1905	66	90	06.94-05.01	■	
2.0 HDI 90 (RHY (DW10TD))		Diesel	FWD	1997	66	90	06.99-12.01	■	
<b>PARTNER (5_, G_) 03.97-07.08</b>							<b>Platform/Chassis (LCVs-N1 Segment)</b>		
1.6		Gasolina	FWD	1587	80	109	09.00-05.08	■	
1.8		Gasolina	FWD	1761	66	90	03.97-08.00	■	
1.9 D (WJY (DW8B))		Diesel	FWD	1868	51	69	01.99-07.08	■	
1.9 D (WJZ (DW8))		Diesel	FWD	1868	51	69	01.99-07.08	■	
2.0 HDi		Diesel	FWD	1997	66	90	11.02-07.08	■	
<b>PARTNER / GRAND RAID / RANCH (5_, G_) 05.96-12.15</b>							<b>MPV (Compact MPV-M1 Segment)</b>		
1.1 (HDZ (TU1M))		Gasolina	FWD	1124	44	60	06.96-10.02	■	
1.1 (HFX (TU1JP))		Gasolina	FWD	1124	44	60	06.96-10.02	■	
1.4 (KFW (TU3JP))		Gasolina	FWD	1360	54	73	11.02-10.06	■	
1.4 (KFW (TU3A))	-12/08	Gasolina	FWD	1360	55	75	06.96-12.15	■	
1.4 (KFW (TU3JP))	-12/08	Gasolina	FWD	1360	55	75	06.96-12.15	■	
1.4 (KFX (TU3JP))	-12/08	Gasolina	FWD	1360	55	75	06.96-12.15	■	
1.6 16V (NFU (TU5JP4))		Gasolina	FWD	1587	80	109	07.01-03.08	■	
1.8 (LFX (XU7JB))		Gasolina	FWD	1761	66	90	05.97-12.02	■	
1.6 Flexfuel (NFU (TU5JP4))		Gasol./Etanol	FWD	1587	80	109	09.00-10.02	■	
Electric		Eléctrico	FWD		28	38	01.98-12.01	■	
1.6 HDi 75 (9HW (DV6BTED4))		Diesel	FWD	1560	55	75	08.05-07.08	■	
1.6 HDi 90 (9HX (DV6ATED4))	-12/08	Diesel	FWD	1560	66	90	08.05-12.15	■	
1.9 D (WJY (DW8B))		Diesel	FWD	1868	51	69	01.99-07.08	■	
1.9 D (WJZ (DW8))		Diesel	FWD	1868	51	69	01.99-07.08	■	
1.9 D 4x4 (WJY (DW8B))		Diesel	4WD	1868	51	69	04.04-08.05	■	
1.9 D (DJY (XUD9A))		Diesel	FWD	1905	50	68	06.96-12.02	■	
1.9 D (XUD9)		Diesel	FWD	1905	51	69	05.96-12.98	■	
2.0 HDi (RHY (DW10TD))		Diesel	FWD	1997	66	90	02.00-07.08	■	
2.0 HDi 4x4 (RHY (DW10TD))		Diesel	4WD	1997	66	90	04.04-08.05	■	
<b>PARTNER / RANCH (5_, G_) 06.96-12.15</b>							<b>Box Body/MPV (LCVs-N1 Segment)</b>		
1.1 (HDZ (TU1M))		Gasolina	FWD	1124	44	60	06.96-09.05	■	
1.4 (KFW (TU3A))		Gasolina	FWD	1360	54	73	11.02-10.06	■	
1.4 (KFW (TU3A))	-12/08	Gasolina	FWD	1360	55	75	06.96-12.15	■	
1.4 (KFX (TU3JP))	-12/08	Gasolina	FWD	1360	55	75	06.96-12.15	■	
1.4 (TU32)	-12/08	Gasolina	FWD	1360	55	75	06.96-12.15	■	
1.6 (NFU (TU5JP4))		Gasolina	FWD	1587	80	109	09.00-10.02	■	
1.8 (LFX (XU7JB))		Gasolina	FWD	1761	66	90	03.97-08.00	■	
1.4 BiFuel		Gasol./Gas (LPG)	FWD	1360	55	75	04.03-10.06	■	
1.4 CNG (KFW (TU3JP))		Gasol./Gas (CNG)	FWD	1360	55	75	04.03-10.06	■	
1.6 BioFlex (NFU (TU5JP4))		Gasol./Etanol	FWD	1587	80	109	09.00-10.02	■	
Electric (ELSA18)		Eléctrico	FWD		25	34	06.96-12.02	■	
1.6 HDi 75 (9HW (DV6BTED4))		Diesel	FWD	1560	55	75	08.05-12.11	■	
1.6 HDi 90 (9HX (DV6ATED4))	-12/08	Diesel	FWD	1560	66	90	08.05-12.15	■	
1.8 D (A9A (XUD7))		Diesel	FWD	1769	43	58	06.96-12.02	■	
1.8 D (A9A (XUD7))		Diesel	FWD	1769	44	60	11.96-02.98	■	
1.9 D (WJY (DW8B))	-12/08	Diesel	FWD	1868	51	69	06.96-12.15	■	

## LISTA DE APLICACIONES - BUYERS GUIDE

1.9 D (WJZ (DW8))	-12/08	Diesel	FWD	1868	51	69	06.96-12.15	■	
1.9 D 4x4 (WJY (DW8B))		Diesel	4WD	1868	51	69	04.04-07.11	■	
1.9 D (DJY (XUD9A))		Diesel	FWD	1905	50	68	06.96-12.98	■	
1.9 D (DJY (XUD9A))		Diesel	FWD	1905	51	69	06.96-12.02	■	
2.0 HDi (RHY (DW10TD))		Diesel	FWD	1997	66	90	04.00-07.08	■	
2.0 HDi 4x4 (RHY (DW10TD))		Diesel	4WD	1997	66	90	04.04-08.05	■	
<b>PARTNER II ORIGIN (G_) 07.08-12.15</b>						<b>Box Body/MPV (LCVs-N1 Segment)</b>			
1.4 (KFW (TU3JP))		Gasolina	FWD	1360	55	75	08.08-12.15	■	
<b>PARTNER II ORIGIN (G_) 07.08-12.13</b>						<b>MPV (Compact MPV-M1 Segment)</b>			
1.4 (KFW (TU3JP))		Gasolina	FWD	1360	55	75	07.08-12.13	■	