

# LISTA DE APLICACIONES - BUYERS GUIDE

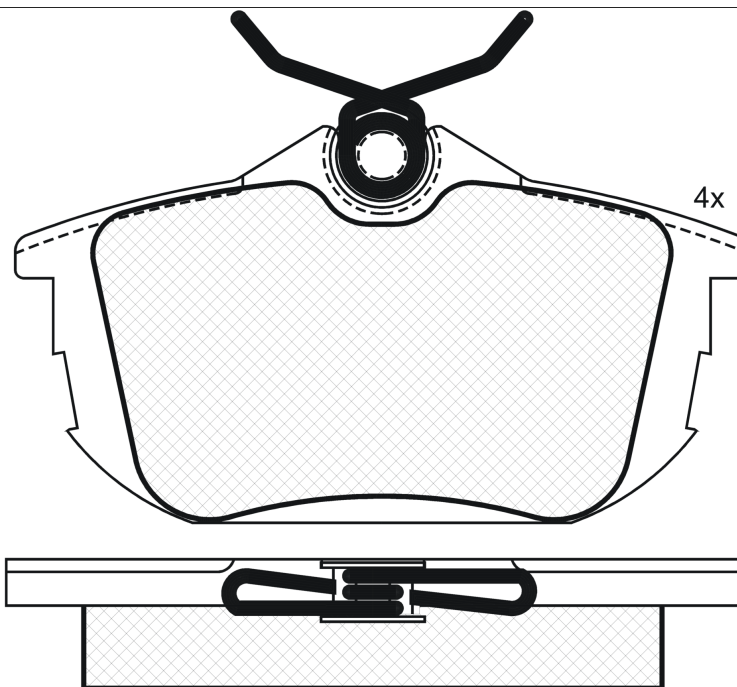
## 181165-700



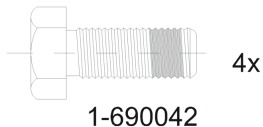
Qty: 944

Weight: 844

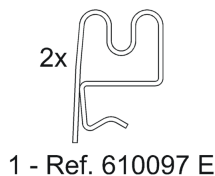
O.E.M.	MAKE
3 062 077 0	VOLVO
3 062 077 05	VOLVO
3 062 326 4	VOLVO
3 063 061 3	VOLVO
3 063 845 5	VOLVO
3 076 918 6	VOLVO
3 079 918 6	VOLVO
3 085 097 8	VOLVO
3 126 246 8	VOLVO
3 345 678	VOLVO
3 345 678 1	VOLVO
454 420 10 20	SMART
86 60 004 457	RENAULT
86 71 016 524	RENAULT
M 620 770	MITSUBISHI
M 850 978	MITSUBISHI
MB 850 978	MITSUBISHI
MN 125 772	MITSUBISHI
MR 850 978	MITSUBISHI
MW 306 207 7	MITSUBISHI
MW30620770	MITSUBISHI
MZ 690 345	MITSUBISHI
MZ 690 594	MITSUBISHI
PW 890 084	PROTON
X3 516 005	VOLVO



### 181165-700



2x



## 181165-700

E1 90R-01100/176



Lucas - Girling

87.1x47.1x15.3

**WVA**

21860

21861

23548

23549

**FMSI**

D838-7713

**MAKE**

MITSUBISHI

PROTON

SMART

VOLVO



Trac.	CC	Kw	CV
-------	----	----	----



Front / Rear

### MITSUBISHI

#### CARISMA (DA\_) 05.95-06.06

#### Hatchback (Large family car-D Segment)

Model	Year	Engine	Trac.	CC	Kw	CV	Period	Icon
1.3	01/00-	Gasolina	FWD	1295	60	81	05.95-	■
1.6 (DA1A) (4G92 (SOHC 16V))		Gasolina	FWD	1597	73	99	05.97-06.06	■
1.6 (DA1A) (4G92 (SOHC 16V))		Gasolina	FWD	1597	76	103	05.95-12.03	■
1.8 (DA2A) (4G93 (SOHC 16V))		Gasolina	FWD	1834	85	116	07.95-07.97	■
1.8 GDI (DA2A) (4G93 (GDI))		Gasolina	FWD	1834	90	122	10.00-06.06	■
1.8 16V GDI (DA2A) (4G93 (GDI))	-12/00	Gasolina	FWD	1834	92	125	09.97-06.06	■
1.8 MSX - 16V (DA2A) (4G93 (DOHC 16V))		Gasolina	FWD	1834	103	140	07.95-07.97	■
1.9 DI-D (DA5A) (F9Q1)		Diesel	FWD	1870	75	102	09.00-06.06	■
1.9 DI-D (DA5A) (F9Q2)		Diesel	FWD	1870	85	115	09.00-06.06	■

#### CARISMA (DA\_) 09.96-06.06

#### Saloon (Large family car-D Segment)

Model	Year	Engine	Trac.	CC	Kw	CV	Period	Icon
1.3		Gasolina	FWD	1298	55	75	09.00-10.04	■
1.3 12V		Gasolina	FWD	1298	55	75	09.00-10.04	■
1.3 16V (4G13 (16V))		Gasolina	FWD	1299	60	82	09.00-10.04	■
1.6 (DA1A) (4G92 (SOHC 16V))		Gasolina	FWD	1597	66	90	09.96-06.06	■
1.6 (DA1A) (4G92 (SOHC 16V))		Gasolina	FWD	1597	73	99	05.97-06.06	■
1.6 (DA1A) (4G92 (SOHC 16V))		Gasolina	FWD	1597	76	103	09.00-06.06	■
1.8 (DA2A) (4G93 (SOHC 16V))		Gasolina	FWD	1834	85	115	09.96-09.97	■
1.8 GDI (DA2A) (4G93 (GDI))		Gasolina	FWD	1834	90	122	10.00-06.06	■
1.8 16V GDI (DA2A) (4G93 (GDI))	-12/00	Gasolina	FWD	1834	92	125	09.97-06.06	■
2.0 16V GT EVO VI/VII (4G63 TURBO)		Gasolina	4WD	1997	206	280	11.99-06.06	■
1.9 DI-D (DA5A) (F9Q1)		Diesel	FWD	1870	75	102	09.00-06.06	■
1.9 DI-D (DA5A) (F9Q2)		Diesel	FWD	1870	85	115	09.00-06.06	■

# LISTA DE APLICACIONES - BUYERS GUIDE

<b>COLT III (Z3_V) 08.04-06.12</b>					<b>Hatchback Van (Supermini car-B Segment)</b>			
1.5 DiD		Diesel	FWD	1493	70	95	08.04-06.12	■
<b>COLT III / MIRAGE (Z3_A, Z2_A) 10.02-12.12</b>					<b>Hatchback (Supermini car-B Segment)</b>			
1.1 (Z31A, Z32A) (3A91)		Gasolina	FWD	1124	55	75	10.04-06.12	■
1.3 4WD (Z22A)		Gasolina	4WD	1332	67	91	10.04-06.12	■
1.3 (Z21A) (4A90)		Gasolina	FWD	1332	68	92	10.04-06.12	■
1.3 (Z21A) (4A90)		Gasolina	FWD	1332	70	95	06.04-06.12	■
1.5 (Z27)		Gasolina	FWD	1468	72	98	09.04-02.06	■
1.5 Ralliart (Z27A)		Gasolina	FWD	1468	108	147	08.05-12.12	■
1.5 CZT (Z37A) (4G15T)		Gasolina	FWD	1468	110	150	03.05-06.12	■
1.5 Ralliart (Z27A, Z37A)		Gasolina	FWD	1468	113	154	09.06-06.12	■
1.5 Ralliart R (Z27A)		Gasolina	FWD	1468	120	163	02.10-06.12	■
1.5 Ralliart R		Gasolina	FWD	1468	132	180	02.10-06.12	■
1.5 (Z23)		Gasolina	FWD	1499	77	105	07.06-06.12	■
1.5 4WD (Z24A)		Gasolina	4WD	1499	77	105	07.06-06.12	■
1.5 (Z23A) (4A91)		Gasolina	FWD	1499	80	109	06.04-06.12	■
1.1 LPG (3A91)		Gasol./Gas (LPG)	FWD	1124	55	75	10.04-06.12	■
1.3 LPG (Z33A) (4A90)		Gasol./Gas (LPG)	FWD	1332	70	95	06.04-06.12	■
1.3 Flexfuel (Z35A)		Gasol./Etanol	FWD	1332	70	95	10.08-06.12	■
1.5 DI-D (Z38A) (OM 639.939)		Diesel	FWD	1493	50	68	08.04-06.12	■
1.5 DI-D (Z39A) (OM 639.939)		Diesel	FWD	1493	70	95	08.04-06.12	■
<b>COLT III CZC (RG) 05.06-07.09</b>					<b>Convertible (Supermini car-B Segment)</b>			
1.5 Turbo (Z37A) (4G15T)		Gasolina	FWD	1468	110	150	05.06-07.09	■
1.5 (Z36A) (4A91)		Gasolina	FWD	1499	80	109	05.06-07.09	■
<b>COLT III PLUS (Z2_W) 08.04-</b>					<b>Hatchback (Supermini car-B Segment)</b>			
1.3		Gasolina	FWD	1332	67	91	08.04-	■
1.3		Gasolina	FWD	1332	68	92	08.04-	■
1.5		Gasolina	FWD	1468	113	154	09.06-12.12	■
1.5		Gasolina	FWD	1499	75	102	08.04-	■
1.5		Gasolina	FWD	1499	77	105	08.04-	■
1.5		Gasolina	FWD	1499	82	112	08.12-	■
<b>SPACE STAR (DG_A) 06.98-12.04</b>					<b>MPV (Mini MPV-M1 Segment)</b>			
1.3 16V (DG1A) (4G13 (16V))		Gasolina	FWD	1299	60	82	09.00-12.04	■
1.3 16V (DG1A) (4G13 (16V))		Gasolina	FWD	1299	61	83	12.98-12.04	■
1.3 16V (DG1A) (4G13 (16V))		Gasolina	FWD	1299	63	86	06.98-12.04	■
1.6 16V (DG3A) (4G18)		Gasolina	FWD	1584	72	98	01.01-12.04	■
1.6 (4G92 (SOHC 16V))		Gasolina	FWD	1597	72	98	04.01-12.04	■
1.8 MPI (DG5A) (4G93 (DOHC 16V))		Gasolina	FWD	1834	82	112	10.02-12.04	■
1.8 GDI (DG5A) (4G93 (GDI))		Gasolina	FWD	1834	87	118	06.98-12.04	■
1.8 GDI (DG5A) (4G93 (GDI))		Gasolina	FWD	1834	90	122	06.98-12.04	■
1.9 DI-D (DG4A) (F9Q1)		Diesel	FWD	1870	75	102	02.01-12.04	■
1.9 DI-D (DG4A) (F9Q2)		Diesel	FWD	1870	85	115	10.02-12.04	■
<b>PROTON</b>								
<b>IMPIAN / IPIAN-WAJA 09.01-</b>					<b>Saloon (Compact car-C Segment)</b>			
1.6 (CF1S) (4G18-P)		Gasolina	FWD	1584	76	102	09.01-06.07	■

# LISTA DE APLICACIONES - BUYERS GUIDE

<b>PERSONA 400 01.89-</b>					<b>Hatchback (Compact car-C Segment)</b>			
1.6 LX	01/00-	Gasolina	FWD	1595	70	95	01.89-	■
1.6 LX	01/00-	Gasolina	FWD	1595	70	95	01.89-	■
1.8 SRi	01/00-	Gasolina	FWD	1795	98	134	01.89-	■
1.8 SRi	01/00-	Gasolina	FWD	1795	98	134	01.89-	■
<b>SMART</b>								
<b>FORFOUR (454) 01.04-06.06</b>					<b>Hatchback (City car-A Segment)</b>			
1.1 (454.033) (M 134.911)		Gasolina	FWD	1124	47	64	02.05-06.06	■
1.1 (454.030) (M 134.910)		Gasolina	FWD	1124	55	75	01.04-06.06	■
1.3 (454.031) (M 135.930)		Gasolina	FWD	1332	70	95	01.04-06.06	■
1.5 BRABUS (454.034) (M 122.950)		Gasolina	FWD	1468	130	177	05.05-06.06	■
1.5 (454.032) (M 135.950)		Gasolina	FWD	1499	80	109	01.04-06.06	■
1.5 (454.032) (M 135.950)		Gasolina	FWD	1499	90	122	01.04-06.06	■
1.5 CDI (454.000) (OM 639.939)		Diesel	FWD	1493	50	68	09.04-06.06	■
1.5 CDI (454.001) (OM 639.939)		Diesel	FWD	1493	70	95	09.04-06.06	■
<b>VOLVO</b>								
<b>S40 (644) 07.95-12.04</b>					<b>Saloon (Compact executive car-D Segment)</b>			
1.6 (B 4164 S)		Gasolina	FWD	1587	77	105	09.95-08.99	■
1.6 (B 4164 S2)		Gasolina	FWD	1587	80	109	03.99-12.03	■
1.8 (B 4184 S)		Gasolina	FWD	1731	85	115	07.95-08.99	■
1.8 (B 4184 S3)		Gasolina	FWD	1731	85	115	07.95-08.99	■
1.8 (B 4184 S2)		Gasolina	FWD	1783	85	116	06.01-08.03	■
1.8 (B 4184 S2)		Gasolina	FWD	1783	90	122	03.99-12.03	■
1.8 i (B 4184 SJ)		Gasolina	FWD	1834	90	122	06.01-12.03	■
1.8 i (B 4184 SM)		Gasolina	FWD	1834	92	125	03.98-12.03	■
1.9 T4 (B 4194 T)		Gasolina	FWD	1855	147	200	05.97-07.00	■
1.9 T4 (B 4194 T2)		Gasolina	FWD	1855	147	200	05.97-07.00	■
2.0 (B 4204 S)		Gasolina	FWD	1948	100	136	07.95-12.03	■
2.0 (B 4204 S2)		Gasolina	FWD	1948	100	136	07.95-12.03	■
2.0 (B 4204 S)		Gasolina	FWD	1948	103	140	07.95-08.99	■
2.0 T (B 4204 T)		Gasolina	FWD	1948	118	160	10.97-12.03	■
2.0 T (B 4204 T3)		Gasolina	FWD	1948	120	163	06.01-12.03	■
2.0 T (B 4204 T2)		Gasolina	FWD	1948	121	165	07.00-06.01	■
2.0 T (B 4204 T3)		Gasolina	FWD	1948	121	165	07.00-06.01	■
2.0 T4 (B 4204 T5)		Gasolina	FWD	1948	147	200	07.00-12.03	■
1.8 LPG (B 4184 S9)		Gasol./Gas (LPG)	FWD	1783	90	122	03.99-12.04	■
1.9 TD (D 4192 T)		Diesel	FWD	1870	66	90	07.95-08.99	■
1.9 Di (D 4192 T2)		Diesel	FWD	1870	70	95	03.99-07.00	■
1.9 Di (D 4192 T4)		Diesel	FWD	1870	75	102	07.00-12.03	■
1.9 Di (D 4192 T3)		Diesel	FWD	1870	85	115	07.00-12.03	■
<b>V40 (645) 07.95-06.04</b>					<b>Estate (Compact executive car-D Segment)</b>			
1.6 (B 4164 S)		Gasolina	FWD	1587	77	105	12.95-08.99	■
1.6 (B 4164 S2)		Gasolina	FWD	1587	80	109	03.99-06.04	■
1.8 (B 4184 S)		Gasolina	FWD	1731	85	115	07.95-08.99	■
1.8 (B 4184 S3)		Gasolina	FWD	1731	85	115	07.95-08.99	■
1.8 (B 4184 S2)		Gasolina	FWD	1783	90	122	03.99-06.04	■
1.8 i (B 4184 SJ)		Gasolina	FWD	1834	90	122	06.01-06.04	■
1.8 i (B 4184 SM)		Gasolina	FWD	1834	92	125	03.98-06.04	■
1.9 T4 (B 4194 T)		Gasolina	FWD	1855	147	200	05.97-07.00	■

## LISTA DE APLICACIONES - BUYERS GUIDE

1.9 T4 (B 4194 T2)	Gasolina	FWD	1855	147	200	05.97-07.00	■
2.0 (B 4204 S)	Gasolina	FWD	1948	100	136	07.95-06.04	■
2.0 (B 4204 S2)	Gasolina	FWD	1948	100	136	07.95-06.04	■
2.0 (B 4204 S)	Gasolina	FWD	1948	103	140	07.95-08.99	■
2.0 T (B 4204 T)	Gasolina	FWD	1948	118	160	10.97-07.00	■
2.0 T (B 4204 T3)	Gasolina	FWD	1948	120	163	06.01-06.04	■
2.0 T (B 4204 T2)	Gasolina	FWD	1948	121	165	07.99-06.04	■
2.0 T4 (B 4204 T5)	Gasolina	FWD	1948	147	200	07.00-06.04	■
1.8 LPG (B 4184 S9)	Gasol./Gas (LPG)	FWD	1783	90	122	03.99-06.04	■
1.8 Blu-Fuel (B 4184 S2)	Gasol./Gas (CNG)	FWD	1783	85	116	06.01-08.03	■
1.8 Bi-Fuel (B 4184 S9)	Gasol./Gas (CNG)	FWD	1783	88	120	11.99-08.03	■
1.9 TD (D 4192 T)	Diesel	FWD	1870	66	90	07.95-08.99	■
1.9 Di (D 4192 T2)	Diesel	FWD	1870	70	95	03.99-07.00	■
1.9 Di (D 4192 T4)	Diesel	FWD	1870	75	102	07.00-06.04	■
1.9 Di (D 4192 T3)	Diesel	FWD	1870	85	115	07.00-06.04	■
2.0 D	Diesel	RWD	1998	100	136	12.02-06.04	■