

LISTA DE APLICACIONES - BUYERS GUIDE

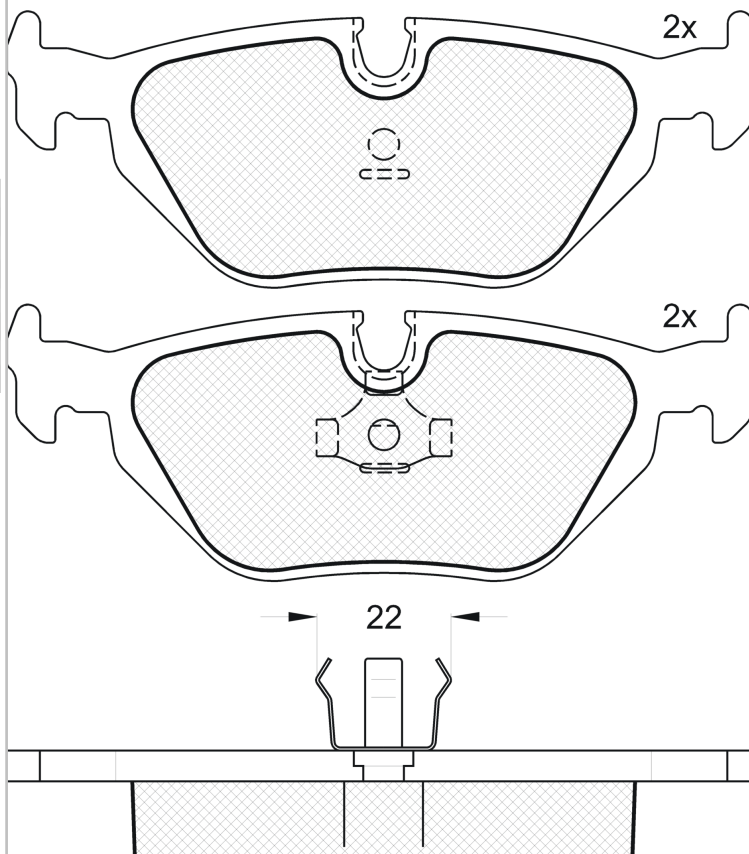
181174



Qty: 944

Weight: 880

O.E.M.	MAKE
34 21 1 160 340	HARTGE
34 21 1 160 533	De La Chapelle
34 21 1 161 455	BMW
34 21 1 162 447	BMW
34 21 1 164 501	BMW
34 21 1 165 235	BMW
34 21 6 761 239	BMW



181174

E1 90R-01100/210



Ate - Teves

123.1x44.9x17.3

WVA	FMSI
21607	D692-7567
21608	
MAKE	
BMW	
De La Chapelle	



Trac.	CC	Kw	CV
-------	----	----	----



Front / Rear

BMW

3 Serie III (E36) 03.93-11.99						Convertible (Compact executive car-D Segment)		
323 i (M52 B25 (256S3))	Gasolina	RWD	2494	125	170	05.95-11.99	■	
325i (M50 B25 (256S2))	Gasolina	RWD	2494	141	192	03.93-08.95	■	
328i (M52 B28 (286S1))	Gasolina	RWD	2793	142	193	01.95-11.99	■	
3 Serie III (E36) 10.91-05.99						Coupe (Compact executive car-D Segment)		
320i (M50 B20 (206S1))	Gasolina	RWD	1990	110	150	12.91-11.98	■	
320i (M50 B20 (206S2))	Gasolina	RWD	1990	110	150	12.91-11.98	■	
320i (M52 B20 (206S3))	Gasolina	RWD	1990	110	150	12.91-11.98	■	
323 i (M52 B25 (256S3))	Gasolina	RWD	2494	125	170	05.95-04.99	■	
325i (M50 B25 (256S1))	Gasolina	RWD	2494	141	192	10.91-02.95	■	
325i (M50 B25 (256S2))	Gasolina	RWD	2494	141	192	10.91-02.95	■	
325 is (M50 B25 (256S1))	Gasolina	RWD	2494	141	192	10.91-08.95	■	
325 is (M50 B25 (256S2))	Gasolina	RWD	2494	141	192	10.91-08.95	■	
328i (M52 B28 (286S1))	Gasolina	RWD	2793	142	193	01.95-04.99	■	
3 Serie III (E36) 09.90-11.98						Saloon (Compact executive car-D Segment)		
318i (M40 B18 (184E1))	Gasolina	RWD	1796	83	113	09.90-08.93	■	
318i (M43 B18 (184E2))	Gasolina	RWD	1796	85	115	09.93-11.98	■	
323 i (M52 B25 (256S3))	Gasolina	RWD	2494	125	170	05.95-11.98	■	
325i (M50 B25 (256S1))	Gasolina	RWD	2494	141	192	09.90-12.95	■	
325i (M50 B25 (256S2))	Gasolina	RWD	2494	141	192	09.90-12.95	■	
328i (M52 B28 (286S1))	Gasolina	RWD	2793	142	193	01.95-04.98	■	
318 tds (M41 D17 (174T1))	Diesel	RWD	1665	66	90	01.95-02.98	■	
325 td (M51 D25 (256T1))	Diesel	RWD	2497	85	115	09.91-02.98	■	

LISTA DE APLICACIONES - BUYERS GUIDE

					Estate (Compact executive car-D Segment)				
3 Serie III Touring (E36) 08.94-12.99									
316 i (M43 B16 (164E2))		Gasolina	RWD	1596	75	102	03.97-05.99	■	
318i (M43 B18 (184E2))		Gasolina	RWD	1796	85	116	09.95-04.99	■	
320i (M52 B20 (206S3))		Gasolina	RWD	1990	110	150	01.95-04.99	■	
323 i (M52 B25 (256S3))		Gasolina	RWD	2494	125	170	12.95-04.99	■	
328i (M52 B28 (286S1))		Gasolina	RWD	2793	142	193	02.95-04.99	■	
318 tds (M41 D17 (174T1))		Diesel	RWD	1665	66	90	03.95-04.99	■	
325 tds (M51 D25 (256T1))		Diesel	RWD	2497	105	143	03.95-04.99	■	
3 Serie III Compact (E36) 01.94-08.00					Hatchback (Compact executive car-D Segment)				
316 i (M43 B16 (164E2))		Gasolina	RWD	1596	75	102	01.94-08.00	■	
318 ti (M42 B18 (184S1))		Gasolina	RWD	1796	103	140	09.94-12.95	■	
316 i (M43 B19 (194E1))		Gasolina	RWD	1895	77	105	01.99-08.00	■	
318 ti (M44 B19 (194S1))	-12/98	Gasolina	RWD	1895	103	140	01.96-08.99	■	
323 ti (M52 B25 (256S3))	-12/97	Gasolina	RWD	2494	125	170	09.97-08.00	■	
316 g (M43 B16 (164E2))		Gasol./Gas (CNG)	RWD	1596	75	102	02.96-08.00	■	
3 Serie IV (E46) 04.00-12.07					Convertible (Compact executive car-D Segment)				
323 Ci (M52 B25 (256S4))		Gasolina	RWD	2494	125	170	04.00-09.00	■	
3 Serie IV (E46) 12.98-07.06					Coupe (Compact executive car-D Segment)				
316 Ci (M43 B16 (164E3))		Gasolina	RWD	1596	77	105	04.00-07.06	■	
316 Ci (N45 B16 A)		Gasolina	RWD	1596	85	115	06.02-07.06	■	
318 Ci (M43 B19 (194E1))		Gasolina	RWD	1895	85	116	12.99-08.01	■	
318 Ci (M43 B19 (194E1))		Gasolina	RWD	1895	87	118	12.99-08.01	■	
3 Serie IV (E46) 12.97-05.05					Saloon (Compact executive car-D Segment)				
316 i (M43 B16 (164E3))		Gasolina	RWD	1596	77	105	04.00-02.05	■	
316 i (N40 B16 A)		Gasolina	RWD	1596	85	115	06.02-02.05	■	
316 i (N45 B16 A)		Gasolina	RWD	1596	85	115	06.02-02.05	■	
316 i (N42 B18 A)		Gasolina	RWD	1796	85	115	02.02-02.05	■	
316 i (N46 B18 A)		Gasolina	RWD	1796	85	115	02.02-02.05	■	
316 i (M43 B19 (194E1))		Gasolina	RWD	1895	77	105	12.98-02.02	■	
318i (M43 B19 (194E1))		Gasolina	RWD	1895	87	118	12.97-09.01	■	
323 i (M52 B25 (256S4))		Gasolina	RWD	2494	120	163	03.98-09.00	■	
323 i (M52 B25 (256S4))		Gasolina	RWD	2494	125	170	03.98-09.00	■	
325 xi (M54 B25 (256S5))		Gasolina	4WD	2494	141	192	09.00-02.05	■	
328i (M52 B28 (286S2))		Gasolina	RWD	2793	142	193	02.98-06.00	■	
318 d (M47 D20 (204D1))		Diesel	RWD	1951	85	116	09.01-03.03	■	
3 Serie IV Touring (E46) 06.99-07.05					Estate (Compact executive car-D Segment)				
316 i (N42 B18 A)		Gasolina	RWD	1796	85	115	03.02-02.05	■	
316 i (N46 B18 A)		Gasolina	RWD	1796	85	115	03.02-02.05	■	
3 Serie IV Compact (E46) 03.01-02.05					Hatchback (Compact executive car-D Segment)				
316 ti (N40 B16 A)		Gasolina	RWD	1596	85	115	06.02-02.05	■	
316 ti (N45 B16 A)		Gasolina	RWD	1596	85	115	06.02-02.05	■	
316 ti (N42 B18 A)		Gasolina	RWD	1796	85	115	06.01-02.05	■	
316 ti (N46 B18 A)		Gasolina	RWD	1796	85	115	06.01-02.05	■	
Z3 (E36) 10.95-01.03					Convertible (Sports car-S Segment)				
2.8 i (M52 B28 (286S1))		Gasolina	RWD	2793	143	194	01.96-05.00	■	
2.8 i (M52 B28 (286S2))		Gasolina	RWD	2793	143	194	01.96-05.00	■	

LISTA DE APLICACIONES - BUYERS GUIDE

Z4 (E85) 09.02-12.09					Convertible (Sports car-S Segment)			
2.0 i (N46 B20 B)	Gasolina	RWD	1995	110	150	03.05-02.09	■	
2.2 i (M54 B22 (226S1))	Gasolina	RWD	2171	125	170	10.03-10.05	■	
2.5 i (M54 B25 (256S5))	Gasolina	RWD	2494	141	192	12.02-12.05	■	
2.5 i (N52 B25 A)	Gasolina	RWD	2497	130	177	09.05-02.09	■	
2.5 si (N52 B25 A)	Gasolina	RWD	2497	155	211	09.05-02.09	■	
2.5 si (N52 B25 AF)	Gasolina	RWD	2497	155	211	09.05-02.09	■	
2.5 si (N52 B25 A)	Gasolina	RWD	2497	160	218	01.06-08.08	■	
3.0 i (M54 B30 (306S3))	Gasolina	RWD	2979	170	231	12.02-12.05	■	
Z4 (E86) 03.06-12.09					Coupe (Sports car-S Segment)			
3.0 Si (N52 B30 A)	Gasolina	RWD	2996	195	265	04.06-08.08	■	
De La Chapelle								
ATLANTE 57S 09.92-12.95					Coupe (Sports car-S Segment)			
2.0	Gasolina	RWD	1990	95	129	09.92-12.95	■	