

# LISTA DE APLICACIONES - BUYERS GUIDE

## 181218

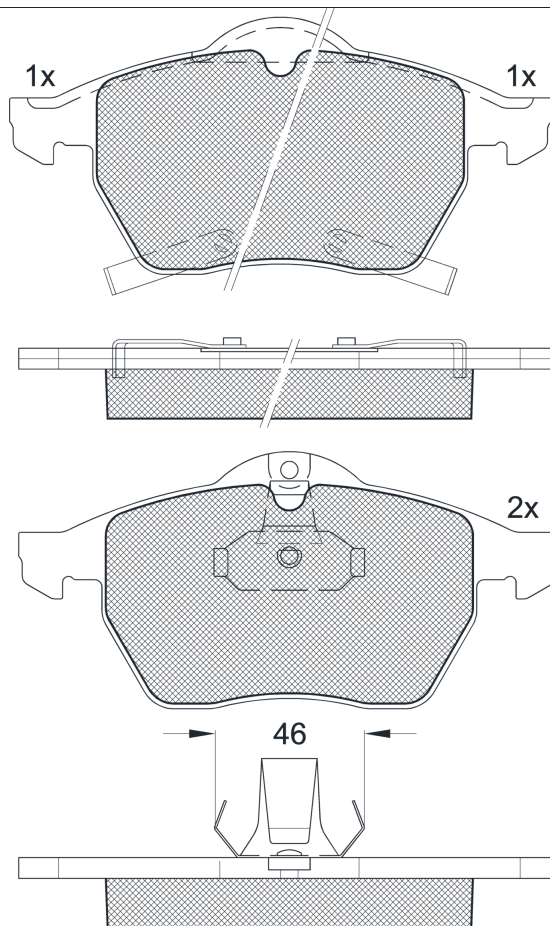


8 424073 054029

Qty: 300

Weight: 2.080

O.E.M.	MAKE
49 07 739	SAAB
52 32 350	SAAB



## 181218

**E1 90R-01101/088**



Ate - Teves

155.1x74.1x20.3
156.4x74.1x20.3

WVA	FMSI
21828	D800-7605
21829	D936-7605
23115	
23116	
23117	
MAKE	
BAIC	
SAAB	



	Trac.	CC	Kw	CV			Front / Rear
--	-------	----	----	----	--	--	--------------

### BAIC

								Saloon ( )
<b>SENOVA D60 05.13-</b>								
1.8 (B185RGA)		Gasolina	FWD	1799	130	177	05.13-	■
2.0 (B205RGA)		Gasolina	FWD	1992	150	204	08.14-	■
<b>SENOVA D70 05.13-12.18</b>								Saloon ( )
1.8 (B185R)		Gasolina	FWD	1799	130	177	05.13-12.18	■
2.0 (B205RGA)		Gasolina	FWD	1992	150	204	05.13-12.18	■
2.3 (B235RGA)		Gasolina	FWD	2290	184	250	05.13-12.18	■
<b>SENOVA D80 04.15-</b>								Saloon ( )
1.8 T (B185RGA)		Gasolina	FWD	1799	130	177	04.15-	■
2.0 T (B205RGA)		Gasolina	FWD	1992	150	204	04.15-	■
2.2 T (B235RGA)		Gasolina	FWD	2290	184	250	04.15-	■

### SAAB

								Convertible (Compact executive car-D Segment)
<b>9-3 (YS3D) 02.98-08.03</b>								
2.0 i (B204I)		Gasolina	FWD	1985	96	131	02.98-08.03	■
2.0 Turbo (B205E)		Gasolina	FWD	1985	110	150	01.01-08.03	■
2.0 Turbo (B204E)		Gasolina	FWD	1985	113	154	10.98-08.03	■
2.0 Turbo (B204L)		Gasolina	FWD	1985	136	185	02.98-08.03	■
2.0 Turbo (B205E)		Gasolina	FWD	1985	136	185	02.98-08.03	■
2.0 Turbo (B205L)		Gasolina	FWD	1985	136	185	02.98-08.03	■
2.0 SE Turbo (B204R)		Gasolina	FWD	1985	147	200	02.98-08.03	■
2.0 Turbo (B205R)	01/01-	Gasolina	FWD	1985	151	205	10.99-08.03	■
2.3 i (B234I)		Gasolina	FWD	2290	110	150	02.98-08.03	■
2.3 Turbo (B235R)		Gasolina	FWD	2290	165	224	10.99-08.03	■

# LISTA DE APLICACIONES - BUYERS GUIDE

2.3 (B235R)		Gasolina	FWD	2290	169	230	09.99-01.02	■	
<b>9-3 (YS3D) 02.98-08.03</b>					<b>Hatchback (Compact executive car-D Segment)</b>				
2.0 i (B204I)		Gasolina	FWD	1985	96	131	02.98-09.02	■	
2.0 Turbo (B205E)		Gasolina	FWD	1985	110	150	03.99-09.02	■	
2.0 Turbo (B204E)		Gasolina	FWD	1985	113	154	10.98-09.02	■	
2.0 Turbo (B204L)		Gasolina	FWD	1985	136	185	02.98-09.02	■	
2.0 Turbo (B205E)		Gasolina	FWD	1985	136	185	02.98-09.02	■	
2.0 Turbo (B205L)		Gasolina	FWD	1985	136	185	02.98-09.02	■	
2.0 SE Turbo (B204R)		Gasolina	FWD	1985	147	200	02.98-09.02	■	
2.0 Turbo (B205R)	01/01-	Gasolina	FWD	1985	151	205	10.99-09.02	■	
2.3 i (B234I)	-12/00	Gasolina	FWD	2290	110	150	02.98-09.02	■	
2.3 Turbo (B235R)		Gasolina	FWD	2290	165	224	10.98-09.02	■	
2.3 (B235R)		Gasolina	FWD	2290	169	230	09.99-01.02	■	
2.2 TiD (D223L)		Diesel	FWD	2171	85	115	02.98-11.00	■	
2.2 TiD (X 22 DTH)		Diesel	FWD	2171	85	115	02.98-11.00	■	
2.2 TiD (D223L)		Diesel	FWD	2171	92	125	11.00-09.02	■	
<b>9-5 (YS3E) 10.98-12.09</b>					<b>Estate (Executive car-E Segment)</b>				
2.0 T (B205E)	-12/01	Gasolina	FWD	1985	110	150	10.98-12.09	■	
2.0 T (B205L)		Gasolina	FWD	1985	136	185	07.00-07.01	■	
2.0 T (B205E)		Gasolina	FWD	1985	141	192	10.98-07.00	■	
2.3 T (B235E)	-12/01	Gasolina	FWD	2290	125	170	10.98-12.09	■	
2.3 T (B235E)	-12/01	Gasolina	FWD	2290	136	185	01.01-12.09	■	
2.3 Turbo (B235R)		Gasolina	FWD	2290	169	230	10.99-09.01	■	
2.3 Turbo (B235R)	-12/01	Gasolina	FWD	2290	184	250	09.01-12.09	■	
3.0 V6t (B308E)	-12/01	Gasolina	FWD	2962	147	200	10.98-08.05	■	
3.0 TiD (D308L)	-12/01	Diesel	FWD	2958	130	177	07.01-08.05	■	
<b>9-5 (YS3E) 09.97-12.11</b>					<b>Saloon (Executive car-E Segment)</b>				
2.0 T (B205E)	-12/01	Gasolina	FWD	1985	110	150	09.97-12.09	■	
2.0 T (B205L)	-12/01	Gasolina	FWD	1985	136	185	07.00-12.09	■	
2.0 Turbo SE (B205E)		Gasolina	FWD	1985	141	192	10.98-07.00	■	
2.3 T (B235E)	-12/01	Gasolina	FWD	2290	125	170	09.97-12.03	■	
2.3 T (B235E)	-12/01	Gasolina	FWD	2290	136	185	01.01-12.09	■	
2.3 Turbo (B235R)		Gasolina	FWD	2290	169	230	10.99-09.01	■	
2.3 Turbo (B235R)	-12/01	Gasolina	FWD	2290	184	250	09.01-12.09	■	
3.0 V6t (B308E)	-12/01	Gasolina	FWD	2962	147	200	01.98-08.05	■	
3.0 TiD (D308L)	-12/01	Diesel	FWD	2958	130	177	07.01-08.05	■	