

LISTA DE APLICACIONES - BUYERS GUIDE

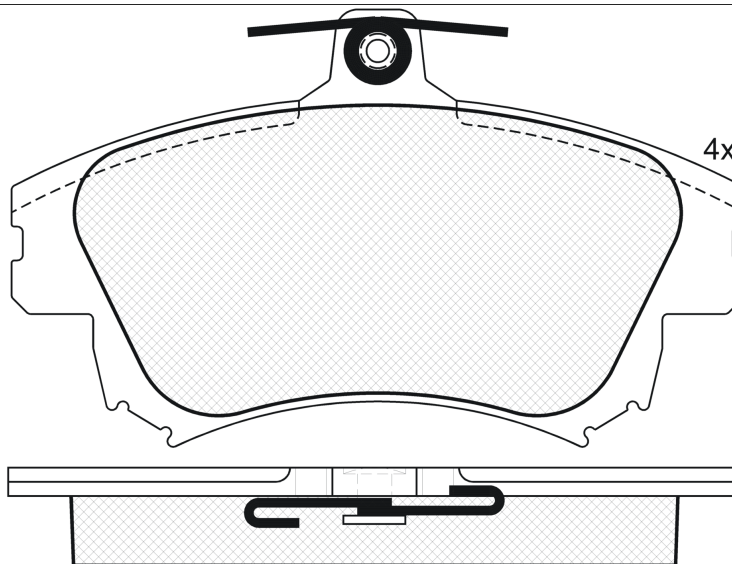
181236-701



8 424073 057648

Qty: 300

Weight: 1.649



181236-701

E1 90R-01101/172



Lucas - Girling

130x76.9x17.3

WVA

21982

21983

FMSI

D837-7712

MAKE

■ MITSUBISHI

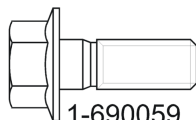
■ PROTON

■ VOLVO

2x

1 - Ref. 610097 E

181236-701



2x

1-690059



Trac.	CC	Kw	CV
-------	----	----	----



Front / Rear

MITSUBISHI

CARISMA (DA_) 05.95-06.06

Hatchback (Large family car-D Segment)

Model	Year	Engine	Drive	CC	Kw	CV	Period	Application
1.3	01/00-	Gasolina	FWD	1295	60	81	05.95-	■
1.6 (DA1A) (4G92 (SOHC 16V))		Gasolina	FWD	1597	70	95	12.98-06.06	■
1.6 (DA1A) (4G92 (SOHC 16V))		Gasolina	FWD	1597	73	99	05.97-06.06	■
1.6 (DA1A) (4G92 (SOHC 16V))		Gasolina	FWD	1597	76	103	05.95-12.03	■
1.8 (DA2A) (4G93 (SOHC 16V))		Gasolina	FWD	1834	85	116	07.95-07.97	■
1.8 GDI (DA2A) (4G93 (GDI))		Gasolina	FWD	1834	90	122	10.00-06.06	■
1.8 16V GDI (DA2A) (4G93 (GDI))		Gasolina	FWD	1834	92	125	09.97-06.06	■
1.8 MSX - 16V (DA2A) (4G93 (DOHC 16V))		Gasolina	FWD	1834	103	140	07.95-07.97	■
1.9 DI-D (DA5A) (F9Q1)		Diesel	FWD	1870	75	102	09.00-06.06	■
1.9 DI-D (DA5A) (F9Q2)		Diesel	FWD	1870	85	115	09.00-06.06	■

CARISMA (DA_) 09.96-06.06

Saloon (Large family car-D Segment)

1.3 12V		Gasolina	FWD	1298	55	75	09.00-10.04	■
1.3		Gasolina	FWD	1299	55	75	09.00-10.04	■
1.3 16V (4G13 (16V))		Gasolina	FWD	1299	60	82	09.00-10.04	■
1.6 (DA1A) (4G92 (SOHC 16V))		Gasolina	FWD	1597	66	90	09.96-06.06	■
1.6 (DA1A) (4G92 (SOHC 16V))		Gasolina	FWD	1597	70	95	12.98-06.06	■
1.6 (DA1A) (4G92 (SOHC 16V))		Gasolina	FWD	1597	73	99	05.97-06.06	■
1.6 (DA1A) (4G92 (SOHC 16V))		Gasolina	FWD	1597	76	103	09.00-06.06	■
1.8 (DA2A) (4G93 (SOHC 16V))		Gasolina	FWD	1834	85	115	09.96-09.97	■
1.8 GDI (DA2A) (4G93 (GDI))		Gasolina	FWD	1834	90	122	10.00-06.06	■
1.8 16V GDI (DA2A) (4G93 (GDI))		Gasolina	FWD	1834	92	125	09.97-06.06	■
2.0 16V GT EVO VI/VII (4G63 TURBO)	01/00-	Gasolina	4WD	1997	206	280	11.99-06.06	■

LISTA DE APLICACIONES - BUYERS GUIDE

1.9 DI-D (DA5A) (F9Q1)		Diesel	FWD	1870	75	102	09.00-06.06	■
1.9 DI-D (DA5A) (F9Q2)		Diesel	FWD	1870	85	115	09.00-06.06	■
PROTON								
PERSONA 400 01.89-						Hatchback (Compact car-C Segment)		
1.8 SRi	01/00-	Gasolina	FWD	1795	98	134	01.89-	■
1.8 SRi	01/00-	Gasolina	FWD	1795	98	134	01.89-	■
VOLVO								
S40 (644) 07.95-12.04						Saloon (Compact executive car-D Segment)		
1.6 (B 4164 S)	01/97-	Gasolina	FWD	1587	77	105	09.95-08.99	■
1.6 (B 4164 S2)		Gasolina	FWD	1587	80	109	03.99-12.03	■
1.8 (B 4184 S)	01/97-	Gasolina	FWD	1731	85	115	07.95-08.99	■
1.8 (B 4184 S3)	01/97-	Gasolina	FWD	1731	85	115	07.95-08.99	■
1.8 (B 4184 S2)		Gasolina	FWD	1783	85	116	06.01-08.03	■
1.8 (B 4184 S2)		Gasolina	FWD	1783	90	122	03.99-12.03	■
1.8 i (B 4184 SJ)		Gasolina	FWD	1834	90	122	06.01-12.03	■
1.8 i (B 4184 SM)		Gasolina	FWD	1834	92	125	03.98-12.03	■
1.9 T4 (B 4194 T)		Gasolina	FWD	1855	147	200	05.97-07.00	■
1.9 T4 (B 4194 T2)		Gasolina	FWD	1855	147	200	05.97-07.00	■
2.0 (B 4204 S)	01/97-	Gasolina	FWD	1948	100	136	07.95-12.03	■
2.0 (B 4204 S2)	01/97-	Gasolina	FWD	1948	100	136	07.95-12.03	■
2.0 (B 4204 S)	01/97-	Gasolina	FWD	1948	103	140	07.95-08.99	■
2.0 T (B 4204 T)		Gasolina	FWD	1948	118	160	10.97-12.03	■
2.0 T (B 4204 T3)		Gasolina	FWD	1948	120	163	06.01-12.03	■
2.0 T (B 4204 T2)		Gasolina	FWD	1948	121	165	07.00-06.01	■
2.0 T (B 4204 T3)		Gasolina	FWD	1948	121	165	07.00-06.01	■
2.0 T4 (B 4204 T5)		Gasolina	FWD	1948	147	200	07.00-12.03	■
1.8 LPG (B 4184 S9)		Gasol./Gas (LPG)	FWD	1783	90	122	03.99-12.04	■
1.9 TD (D 4192 T)	01/97-	Diesel	FWD	1870	66	90	07.95-08.99	■
1.9 Di (D 4192 T2)		Diesel	FWD	1870	70	95	03.99-07.00	■
1.9 Di (D 4192 T4)		Diesel	FWD	1870	75	102	07.00-12.03	■
1.9 Di (D 4192 T3)		Diesel	FWD	1870	85	115	07.00-12.03	■
V40 (645) 07.95-06.04						Estate (Compact executive car-D Segment)		
1.6 (B 4164 S)	01/97-	Gasolina	FWD	1587	77	105	12.95-08.99	■
1.6 (B 4164 S2)		Gasolina	FWD	1587	80	109	03.99-06.04	■
1.8 (B 4184 S)	01/97-	Gasolina	FWD	1731	85	115	07.95-08.99	■
1.8 (B 4184 S3)	01/97-	Gasolina	FWD	1731	85	115	07.95-08.99	■
1.8 (B 4184 S2)		Gasolina	FWD	1783	90	122	03.99-06.04	■
1.8 i (B 4184 SJ)		Gasolina	FWD	1834	90	122	06.01-06.04	■
1.8 i (B 4184 SM)		Gasolina	FWD	1834	92	125	03.98-06.04	■
1.9 T4 (B 4194 T)		Gasolina	FWD	1855	147	200	05.97-07.00	■
1.9 T4 (B 4194 T2)		Gasolina	FWD	1855	147	200	05.97-07.00	■
2.0 (B 4204 S)	01/98-	Gasolina	FWD	1948	100	136	07.95-06.04	■
2.0 (B 4204 S2)	01/98-	Gasolina	FWD	1948	100	136	07.95-06.04	■
2.0 (B 4204 S)	01/97-	Gasolina	FWD	1948	103	140	07.95-08.99	■
2.0 T (B 4204 T)		Gasolina	FWD	1948	118	160	10.97-07.00	■
2.0 T (B 4204 T3)		Gasolina	FWD	1948	120	163	06.01-06.04	■
2.0 T (B 4204 T2)		Gasolina	FWD	1948	121	165	07.99-06.04	■
2.0 T4 (B 4204 T5)		Gasolina	FWD	1948	147	200	07.00-06.04	■
1.8 LPG (B 4184 S9)		Gasol./Gas (LPG)	FWD	1783	90	122	03.99-06.04	■

LISTA DE APLICACIONES - BUYERS GUIDE

1.8 Blu-Fuel (B 4184 S2)		Gasol./Gas (CNG)	FWD	1783	85	116	06.01-08.03	■
1.8 Bi-Fuel (B 4184 S9)		Gasol./Gas (CNG)	FWD	1783	88	120	11.99-08.03	■
1.9 TD (D 4192 T)	01/97-	Diesel	FWD	1870	66	90	07.95-08.99	■
1.9 Di (D 4192 T2)		Diesel	FWD	1870	70	95	03.99-07.00	■
1.9 Di (D 4192 T4)		Diesel	FWD	1870	75	102	07.00-06.04	■
1.9 Di (D 4192 T3)		Diesel	FWD	1870	85	115	07.00-06.04	■
2.0 D		Diesel	RWD	1998	100	136	12.02-06.04	■