

LISTA DE APLICACIONES - BUYERS GUIDE

181250

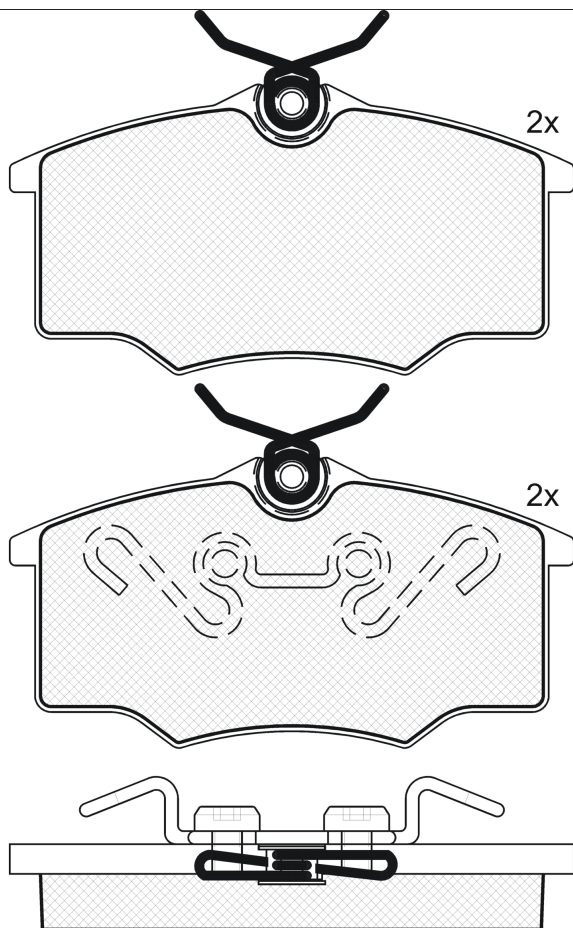


8 424073 057563

Qty: 300

Weight: 1.145

O.E.M.	MAKE
16 05 021	VAUXHALL
2-479950/8G	VW
377 698 151	VW
377 698 151 E	VW
377 698 151 J	VW
377 698 151 K	VW
86 60 004 790	RENAULT
86 71 019 120	RENAULT
93 267 112	OPEL
93 273 400	OPEL



181250



Delco Moraine

104.2x53.6x15.7

WVA	FMSI
23546	D1173-8284
23547	
MAKE	
OPEL	
VAUXHALL	
VW	



Trac.	CC	Kw	CV		
Front / Rear					

OPEL									
CORSA B (S93) 04.98-12.02							Estate (Supermini car-B Segment)		
1.7 D (F35) (X 17 D)		Diesel	FWD	1686	44	60	01.99-12.02	■	
CORSA B (S93) 08.94-12.01							Hatchback Van (LCVs-N1 Segment)		
1.4 i (F08, W5L) (C 14 NZ)		Gasolina	FWD	1389	44	60	08.99-09.00	■	
1.4 i (F08, W5L) (X 14 SZ)		Gasolina	FWD	1389	44	60	08.99-09.00	■	
1.7 D (F08, W5L) (17 D (4EE1))		Diesel	FWD	1686	44	60	08.99-09.00	■	
1.7 D (F08, W5L) (X 17 D (4EE1))		Diesel	FWD	1686	44	60	08.99-09.00	■	
CORSA B / VITA B (S93) 03.93-10.09							Hatchback (Supermini car-B Segment)		
1.0	01/96-	Gasolina	FWD	995			03.93-	■	
1.4	01/96-	Gasolina	FWD	1395			03.93-	■	
1.6	01/96-	Gasolina	FWD	1595			03.93-	■	
1.6	01/96-	Gasolina	FWD	1595			03.93-	■	
IPANEMA (BRASIL) 01.96-							Van (LCVs-N1 Segment)		
1.8	01/96-	Gasolina	FWD	1795			01.96-	■	
2.0	01/96-	Gasolina	FWD	1995			01.96-	■	
KADETT BRASIL 01.96-							Hatchback (Compact car-C Segment)		
1.8	01/96-	Gasolina	FWD	1795			01.96-	■	
2.0	01/96-	Gasolina	FWD	1995			01.96-	■	

VAUXHALL									
CORSAVAN Mk I (B) (S93) 01.94-09.00							Hatchback Van (LCVs-N1 Segment)		
1.4 i (C 14 NZ)		Gasolina	FWD	1389	44	60	01.94-09.00	■	
1.4 i (X 14 SZ)		Gasolina	FWD	1389	44	60	01.94-09.00	■	

LISTA DE APLICACIONES - BUYERS GUIDE

1.7 D (X 17 D)		Diesel	FWD	1686	44	60	01.94-09.00	■
VW								
GOL II 06.94-06.05					Hatchback (Supermini car-B Segment)			
1.6 Country Mi	01/95-	Gasolina	FWD	1595			06.94-	■
1.6 GL Mi, Full	01/95-	Gasolina	FWD	1595			06.94-	■
1.6 Plus Mi	01/95-	Gasolina	FWD	1595			06.94-	■
1.6 (BW1, BX1) (BWX)	PR 1LA, PR 1ZC	Gasolina	FWD	1595	73	99	12.99-06.10	■
1.8	01/95-	Gasolina	FWD	1795			06.94-	■
1.8 Country Mi	01/95-	Gasolina	FWD	1795			06.94-	■
1.8 GL Mi	01/95-	Gasolina	FWD	1795			06.94-	■
2.0 GTI 16V	01/95-	Gasolina	FWD	1995			06.94-	■
1.6 GLD Base, Full	01/95-	Diesel	RWD	1595			06.94-	■
1.6 Plus D	01/95-	Diesel	RWD	1595			06.94-	■
PARATI II Variant / GOL COUNTRY II 05.95-08.05					Estate (Large family car-D Segment)			
1.4		Gasolina	FWD	1390	62	84	08.95-07.99	■
1.6 (AFX)		Gasolina	FWD	1595	74	101	08.95-07.99	■
PARATI III Variant / GOL COUNTRY III (5X5) 05.99-					Estate (Large family car-D Segment)			
1.0 (AZP)		Gasolina	FWD	999	56	76	08.02-	■
1.0		Gasolina	FWD	999	82	112	08.02-	■
1.6		Gasolina	FWD	1595	67	91	09.03-	■
1.6		Gasolina	FWD	1598	68	92	07.03-07.05	■
1.6		Gasolina	FWD	1598	73	99	08.02-07.05	■
1.8 (UDH)		Gasolina	FWD	1781	73	99	08.02-	■
2.0		Gasolina	FWD	1984	82	112	07.03-	■
1.9 D		Diesel	RWD	1896	47	64	08.02-	■
1.9 SDI		Diesel	RWD	1896	47	64	08.02-	■
SAVEIRO (147) 07.82-11.97					Pickup (Pick-Up Truck)			
1.6 (1F)		Gasolina	FWD	1595	55	75	08.90-07.96	■
1.6 (EW)		Gasolina	FWD	1595	55	75	08.90-07.96	■
1.6 D		Diesel	RWD	1588	59	80	08.91-07.96	■
SAVEIRO II (9U7) 01.96-09.03					Pickup (Pick-Up Truck)			
1.6		Gasolina	FWD	1595	55	75	07.97-02.02	■
1.8 (UDH)		Gasolina	FWD	1781	73	99	08.96-12.99	■
SAVEIRO III 02.00-07.10					Pickup (Pick-Up Truck)			
1.6		Gasolina	FWD	1595	68	92	03.02-09.05	■
1.8		Gasolina	FWD	1781	73	99	03.02-09.05	■
SAVEIRO IV 02.05-08.09					Platform/Chassis (LCVs-N1 Segment)			
1.6 Flex		Gasolina	FWD	1595	73	99	03.02-	■
2.0		Gasolina	FWD	1984	82	112	03.02-	■
SAVEIRO V (5U8, 5U9) 09.09-					Pickup (Pick-Up Truck)			
1.6	-01/11	Gasolina	FWD				09.10-	■
1.6	-01/11	Gasolina	FWD	1598	74	101	09.09-	■
1.6 TotalFlex	-01/11	Gasolina	FWD	1598	74	101	09.09-	■
1.6 Flex	-01/11	Gasolina	FWD	1598	77	105	09.09-	■
1.6	-01/11	Gasolina	FWD	1598	82	112	09.15-	■
VOYAGE II (5X1) 10.94-07.02					Saloon (Supermini car-B Segment)			
1.0		Gasolina	FWD	999	37	50	08.96-12.01	■
1.4		Gasolina	FWD	1390	62	84	05.96-07.02	■

LISTA DE APLICACIONES - BUYERS GUIDE

1.6		Gasolina	FWD	1555	56	76	10.94-05.02	■
1.6		Gasolina	FWD	1595	65	88	05.96-09.01	■
1.8		Gasolina	FWD	1781	73	99	10.94-05.02	■
1.8 GLS		Gasolina	FWD	1781	77	105	04.98-05.02	■
1.8		Gasolina	FWD	1781	82	111	08.00-07.02	■
1.8		Gasol./el éc.	FWD	1781	74	101	05.96-09.01	■
1.9 D		Diesel	RWD	1896	48	65	06.96-09.01	■
1.9 TDI		Diesel	RWD	1896	66	90	09.99-09.01	■