

LISTA DE APLICACIONES - BUYERS GUIDE

181259

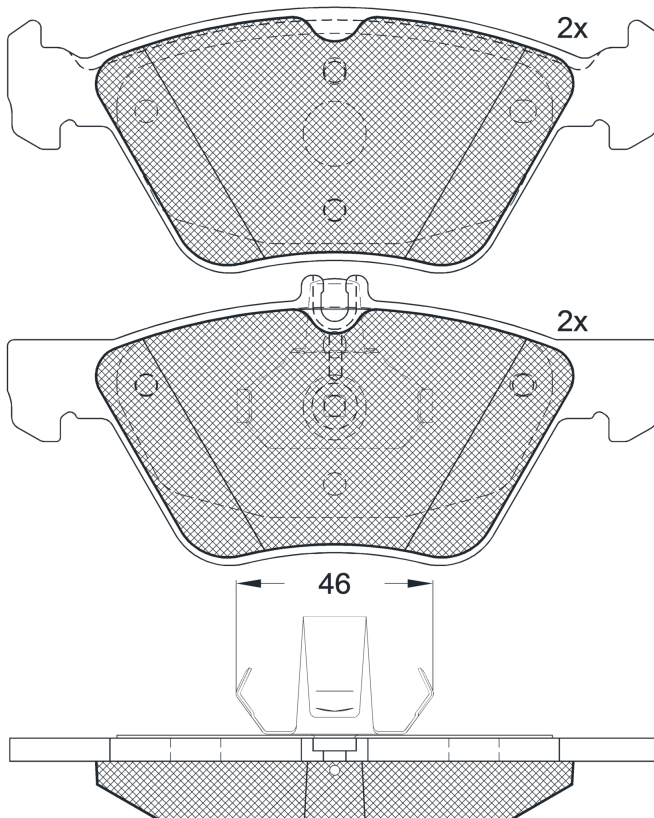


8 424073 058171

Qty: 300

Weight: 1.990

| O.E.M. | MAKE |
|---------------|---------------|
| 003 420 29 20 | MERCEDES-BENZ |
| 05114555AA | CHRYSLER |
| 05139218AA | CHRYSLER |
| 05139218AB | CHRYSLER |
| 5114555AA | CHRYSLER |
| 5139218AA | CHRYSLER |
| 5139218AB | CHRYSLER |



181259

E1 90R-01101/207



Ate - Teves

| |
|-----------------|
| 155.3x69.6x20.3 |
| 156.4x63.7x20.3 |

| WVA | FMSI |
|-------|-----------|
| 21670 | D853-7730 |
| 21794 | D853-8205 |
| | D853-8215 |

| MAKE |
|---------------|
| CHRYSLER |
| MERCEDES-BENZ |



| | | | | | | | |
|--|-------|----|----|----|--|--|--------------|
| | Trac. | CC | Kw | CV | | | Front / Rear |
|--|-------|----|----|----|--|--|--------------|

CHRYSLER

| CROSSFIRE 05.04-12.08 | | | | | | Convertible (Sports car-S Segment) | | |
|-----------------------|--|----------|-----|------|-----|------------------------------------|-------------|---|
| 3.2 (EGX) | | Gasolina | RWD | 3199 | 160 | 218 | 05.04-12.08 | ■ |
| SRT-6 (EGZ) | | Gasolina | RWD | 3199 | 246 | 335 | 09.04-12.06 | ■ |

| CROSSFIRE 07.03-12.08 | | | | | | Coupe (Sports car-S Segment) | | |
|-----------------------|--|----------|-----|------|-----|------------------------------|-------------|---|
| 3.2 (EGX) | | Gasolina | RWD | 3199 | 160 | 218 | 07.03-12.08 | ■ |
| SRT-6 (EGZ) | | Gasolina | RWD | 3199 | 246 | 335 | 09.04-12.07 | ■ |

MERCEDES-BENZ

| CLK-Class (A208) 03.98-03.02 | | | | | | Convertible (Executive car-E Segment) | | |
|--|--------|----------|-----|------|-----|---------------------------------------|-------------|---|
| CLK 200 Kompressor (208.445) (M 111.944) | | Gasolina | RWD | 1998 | 141 | 192 | 03.98-06.00 | ■ |
| CLK 230 Kompressor (208.448) (M 111.973) | | Gasolina | RWD | 2295 | 142 | 193 | 03.98-06.00 | ■ |
| CLK 230 Kompressor (208.448) (M 111.975) | | Gasolina | RWD | 2295 | 142 | 193 | 03.98-06.00 | ■ |
| CLK 230 Kompressor (208.448) (M 111.982) | | Gasolina | RWD | 2295 | 145 | 197 | 06.00-03.02 | ■ |
| CLK 320 (208.465) (M 112.940) | | Gasolina | RWD | 3199 | 160 | 218 | 03.98-03.02 | ■ |
| CLK 430 (208.470) (M 113.943) | -12/99 | Gasolina | RWD | 4266 | 205 | 279 | 09.98-03.02 | ■ |

| CLK-Class (C208) 06.97-12.03 | | | | | | Coupe (Executive car-E Segment) | | |
|-------------------------------|--------|----------|-----|------|-----|---------------------------------|-------------|---|
| CLK 430 (208.370) (M 113.943) | -12/99 | Gasolina | RWD | 4266 | 205 | 279 | 07.98-06.02 | ■ |

| E-Class II (W210) 06.95-08.03 | | | | | | Saloon (Executive car-E Segment) | | |
|--|--------|----------|-----|------|-----|----------------------------------|-------------|---|
| E 200 Kompressor (210.048) (M 111.947) | | Gasolina | RWD | 1998 | 137 | 186 | 06.97-03.02 | ■ |
| E 240 (210.061) (M 112.911) | 01/99- | Gasolina | RWD | 2398 | 125 | 170 | 06.97-08.00 | ■ |
| E 240 (210.062) (M 112.914) | | Gasolina | RWD | 2597 | 125 | 170 | 08.00-03.02 | ■ |
| E 280 (210.063) (M 112.921) | 01/98- | Gasolina | RWD | 2799 | 150 | 204 | 12.96-03.02 | ■ |
| E 280 4-matic (210.081) (M 112.921) | 01/98- | Gasolina | 4WD | 2799 | 150 | 204 | 12.96-03.02 | ■ |

LISTA DE APLICACIONES - BUYERS GUIDE

| | | | | | | | | |
|---|----------------------------|----------|-----|---|-----|-----|-------------|---|
| E 320 (210.065) (M 112.941) | 01/98- | Gasolina | RWD | 3199 | 165 | 224 | 06.97-03.02 | ■ |
| E 320 4-matic (210.082) (M 112.941) | 01/98- | Gasolina | 4WD | 3199 | 165 | 224 | 06.97-03.02 | ■ |
| E 430 (210.070) (M 113.940) | 01/98- | Gasolina | RWD | 4266 | 205 | 279 | 06.97-03.02 | ■ |
| E 270 CDI (210.016) (OM 612.961) | | Diesel | RWD | 2685 | 125 | 170 | 07.99-03.02 | ■ |
| E 300 Turbo-D (210.025) (OM 606.962) | 01/98- | Diesel | RWD | 2996 | 130 | 177 | 12.96-07.99 | ■ |
| E 320 CDI (210.026) (OM 613.961) | | Diesel | RWD | 3222 | 145 | 197 | 07.99-03.02 | ■ |
| E-Class II T-Model (S210) 06.96-03.03 | | | | Estate (Executive car-E Segment) | | | | |
| E 200 T Kompressor (210.248) (M 111.947) | | Gasolina | RWD | 1998 | 137 | 186 | 06.97-03.03 | ■ |
| E 240 T (210.261) (M 112.911) | 01/99- | Gasolina | RWD | 2398 | 125 | 170 | 06.97-03.03 | ■ |
| E 240 T (210.262) (M 112.914) | | Gasolina | RWD | 2597 | 125 | 170 | 08.00-03.03 | ■ |
| E 280 T (210.263) (M 112.921) | 01/98- | Gasolina | RWD | 2799 | 150 | 204 | 12.96-03.03 | ■ |
| E 280 T 4-matic (210.281) (M 112.921) | 01/98- | Gasolina | 4WD | 2799 | 150 | 204 | 12.96-03.03 | ■ |
| E 320 T (210.265) (M 112.941) | 01/98- | Gasolina | RWD | 3199 | 165 | 224 | 12.96-03.03 | ■ |
| E 320 T 4-matic (210.282) (M 112.941) | 01/98- | Gasolina | 4WD | 3199 | 165 | 224 | 12.96-03.03 | ■ |
| E 430 T (210.270) (M 113.940) | 01/98- | Gasolina | RWD | 4266 | 205 | 279 | 06.97-03.03 | ■ |
| E 220 T CDI (210.206) (OM 611.961) | | Diesel | RWD | 2148 | 100 | 136 | 05.99-03.03 | ■ |
| E 220 T CDI (210.206) (OM 611.961) | | Diesel | RWD | 2148 | 105 | 143 | 07.99-03.03 | ■ |
| E 220 T CDI (210.206) (OM 611.961) | | Diesel | RWD | 2151 | 92 | 125 | 06.98-07.99 | ■ |
| E 250 T D (210.210) (OM 605.912) | 01/97- | Diesel | RWD | 2497 | 83 | 113 | 06.96-07.99 | ■ |
| E 250 T Turbo-D (210.215) (OM 605.962) | | Diesel | RWD | 2497 | 110 | 150 | 06.97-07.99 | ■ |
| E 270 T CDI (210.216) (OM 612.961) | | Diesel | RWD | 2685 | 125 | 170 | 07.99-03.03 | ■ |
| E 290 T Turbo-D (210.217) (OM 602.982) | 01/98- | Diesel | RWD | 2874 | 95 | 129 | 06.96-07.99 | ■ |
| E 300 T Turbo-D (210.225) (OM 606.962) | 01/98- | Diesel | RWD | 2996 | 130 | 177 | 12.96-07.99 | ■ |
| E 320 T CDI (210.226) (OM 613.961) | | Diesel | RWD | 3222 | 145 | 197 | 07.99-03.03 | ■ |
| E-Class III (W211) 03.02-03.09 | | | | Saloon (Executive car-E Segment) | | | | |
| E 240 4-matic (211.080) (M 112.917) | not sports package | Gasolina | 4WD | 2597 | 130 | 177 | 03.03-12.08 | ■ |
| E 280 4-matic (211.092) (M 272.943) | not sports package | Gasolina | 4WD | 2996 | 170 | 231 | 01.06-12.08 | ■ |
| E 280 4-matic (211.092) (M 272.944) | not sports package | Gasolina | 4WD | 2996 | 170 | 231 | 01.06-12.08 | ■ |
| E 320 4-matic (211.082) (M 112.954) | not sports package | Gasolina | 4WD | 3199 | 165 | 224 | 03.03-12.08 | ■ |
| E 350 4-matic (211.087) (M 272.972) | not sports package | Gasolina | 4WD | 3498 | 200 | 272 | 03.05-12.08 | ■ |
| E 280 CDI 4-matic (211.084) (OM 642.921) | not sports package | Diesel | 4WD | 2987 | 140 | 190 | 03.05-12.08 | ■ |
| E320 CDI (211.022) (OM 642.920) | | Diesel | RWD | 2987 | 165 | 224 | 03.05-12.08 | ■ |
| E 320 CDI 4-matic (211.089) (OM 642.910) | not sports package | Diesel | 4WD | 2987 | 165 | 224 | 03.05-12.08 | ■ |
| E 320 CDI 4-matic (211.089) (OM 642.921) | not sports package | Diesel | 4WD | 2987 | 165 | 224 | 03.05-12.08 | ■ |
| E-Class III T-Model (S211) 02.03-07.09 | | | | Estate (Executive car-E Segment) | | | | |
| E 240 T 4-matic (211.280) (M 112.917) | -12/08, not sports package | Gasolina | 4WD | 2597 | 130 | 177 | 07.03-07.09 | ■ |
| E 280 T 4-matic (211.292) (M 272.943) | -12/08, not sports package | Gasolina | 4WD | 2996 | 170 | 231 | 03.05-07.09 | ■ |
| E 280 T 4-matic (211.292) (M 272.944) | -12/08, not sports package | Gasolina | 4WD | 2996 | 170 | 231 | 03.05-07.09 | ■ |
| E 320 T 4-matic (211.282) (M 112.954) | -12/08, not sports package | Gasolina | 4WD | 3199 | 165 | 224 | 07.03-07.09 | ■ |
| E 350 T 4-matic (211.287) (M 272.972) | -12/08, not sports package | Gasolina | 4WD | 3498 | 200 | 272 | 03.05-07.09 | ■ |
| E 280 T CDI 4-matic (211.284) (OM 642.921) | -12/08, not sports package | Diesel | 4WD | 2987 | 140 | 190 | 03.05-07.09 | ■ |
| E 320 T CDI (211.222) (OM 642.920) | -12/08 | Diesel | RWD | 2987 | 165 | 224 | 03.05-07.09 | ■ |
| E 320 T CDI 4-matic (211.289) (OM 642.921) | -12/08, not sports package | Diesel | 4WD | 2987 | 165 | 224 | 03.05-07.09 | ■ |
| S-Class IV (W220, V220) 09.98-12.06 | | | | Saloon (Luxury car-F Segment) | | | | |
| S 350 4-matic (220.087, 220.187) (M 112.975) | not sports package | Gasolina | 4WD | 3724 | 180 | 245 | 06.03-08.05 | ■ |
| SLK-Class (R170) 04.96-04.04 | | | | Convertible (Sports car-S Segment) | | | | |
| 320 (170.465) (M 112.947) | | Gasolina | RWD | 3199 | 160 | 218 | 03.00-04.04 | ■ |